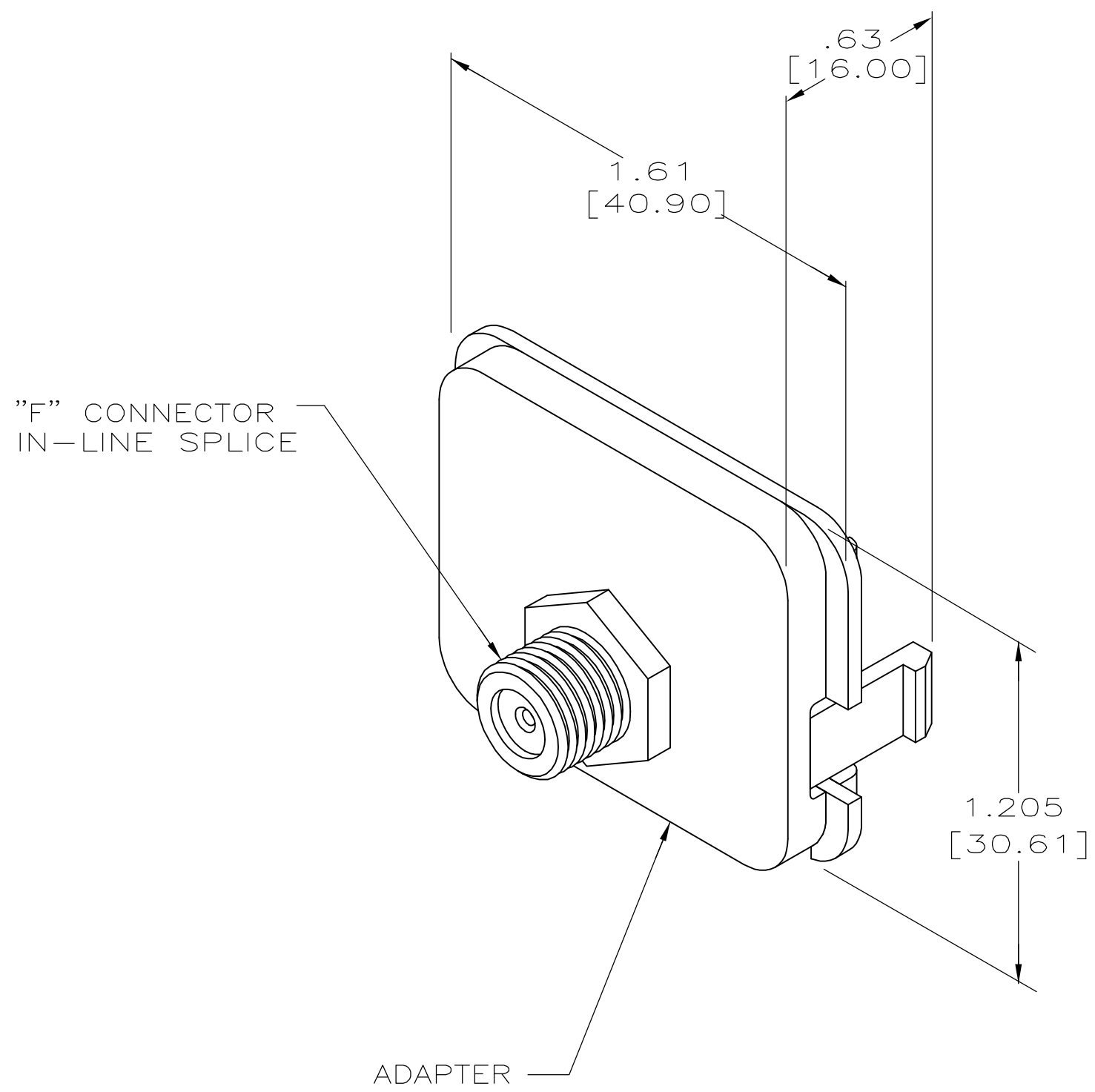


THIS DRAWING IS UNPUBLISHED. RELEASED FOR PUBLICATION
 © COPYRIGHT - BY TYCO ELECTRONICS CORPORATION. ALL RIGHTS RESERVED.

LOC	DIST	REVISIONS			
P	LTR	DESCRIPTION	DATE	DWN	APVD
AA	28	E	ECO-06-010317	08MAY2006	JM GB



- 1. DIMENSIONS ARE MAXIMUM.
- 2. MATERIAL: ADAPTER - ABS MOLDING COMPOUND, SEE TABLE.
- 3. THIS INSERT IS DESIGNED TO MATE WITH AMP INC. EDGE CONNECTOR KIT AND WALLBOX KITS.
- 4. DIMENSIONS IN BRACKETS [] ARE IN MILLIMETERS.

MARKINGS COLOR	CODE NO.	ADAPTER COLOR	PART NO.
BLACK	45-6	ELECTRIC IVORY	555645-6
BLACK	45-5	WHITE	555645-5
BLACK	45-4	NEMA GRAY	555645-4
WHITE	45-3	BLACK	555645-3
BLACK	45-1	LIGHT ALMOND	555645-1

THIS DRAWING IS A CONTROLLED DOCUMENT.		DWN R. NELSON 7-20-88	Tyco Electronics Corporation Harrisburg, PA 17105-3608	
DIMENSIONS: INCHES		CHK B FOX 8-10-88		
TOLERANCES UNLESS OTHERWISE SPECIFIED: 0 PLC ± - 1 PLC ± - 2 PLC ± - 3 PLC ± - 4 PLC ± - ANGLES ± -		APVD WILKERSON/SCHLUNZ 8-11-88	NAME	
		PRODUCT SPEC	INSERT ASSEMBLY, F CONNECTOR, AMP COMMUNICATION OUTLET	
MATERIAL		APPLICATION SPEC	SIZE	RESTRICTED TO
-		WEIGHT	CAGE CODE	
-			DRAWING NO	
-		A3 00779 C-555645		
CUSTOMER DRAWING			SCALE	REV
			2:1	E
			SHEET	
			1 OF 1	