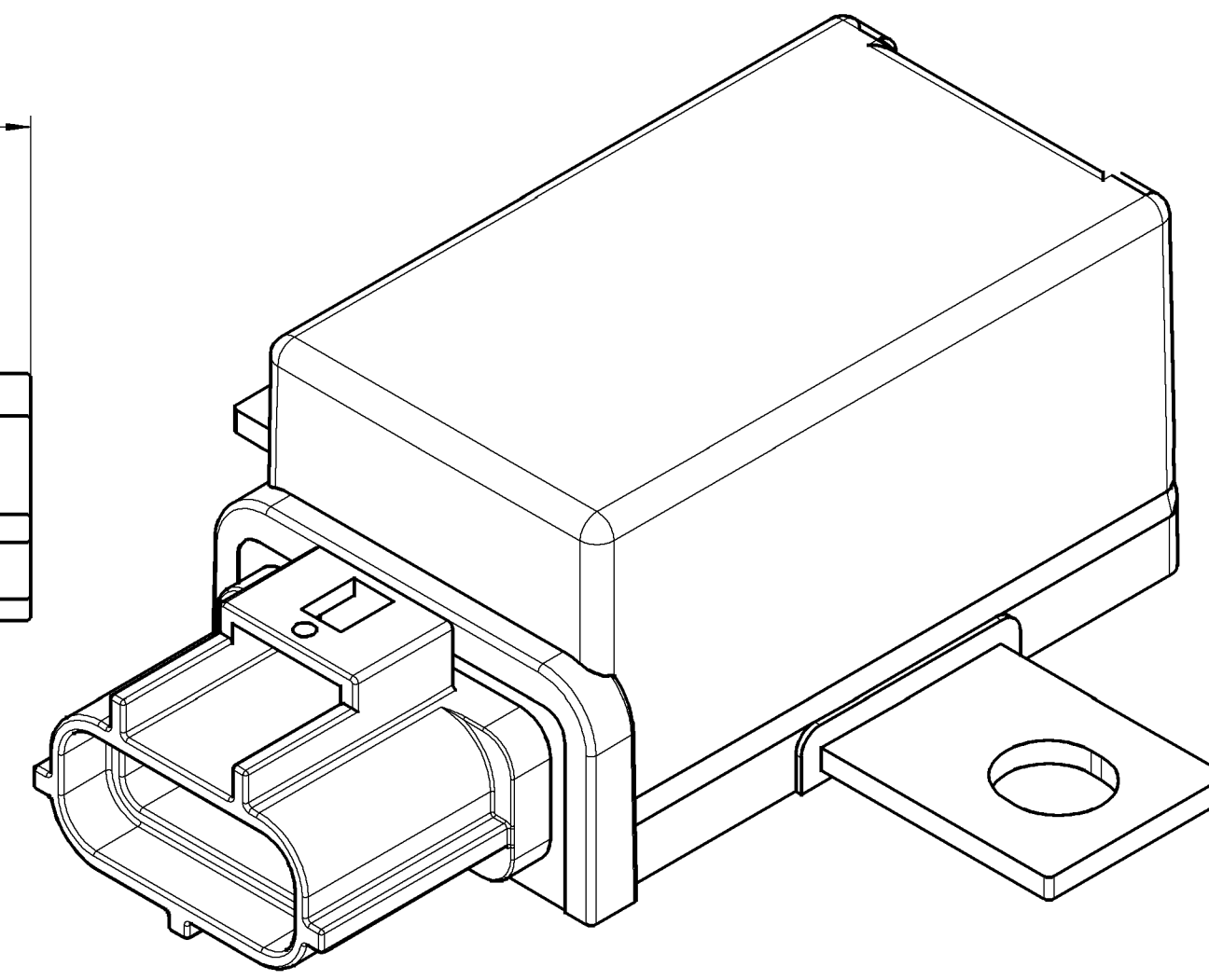
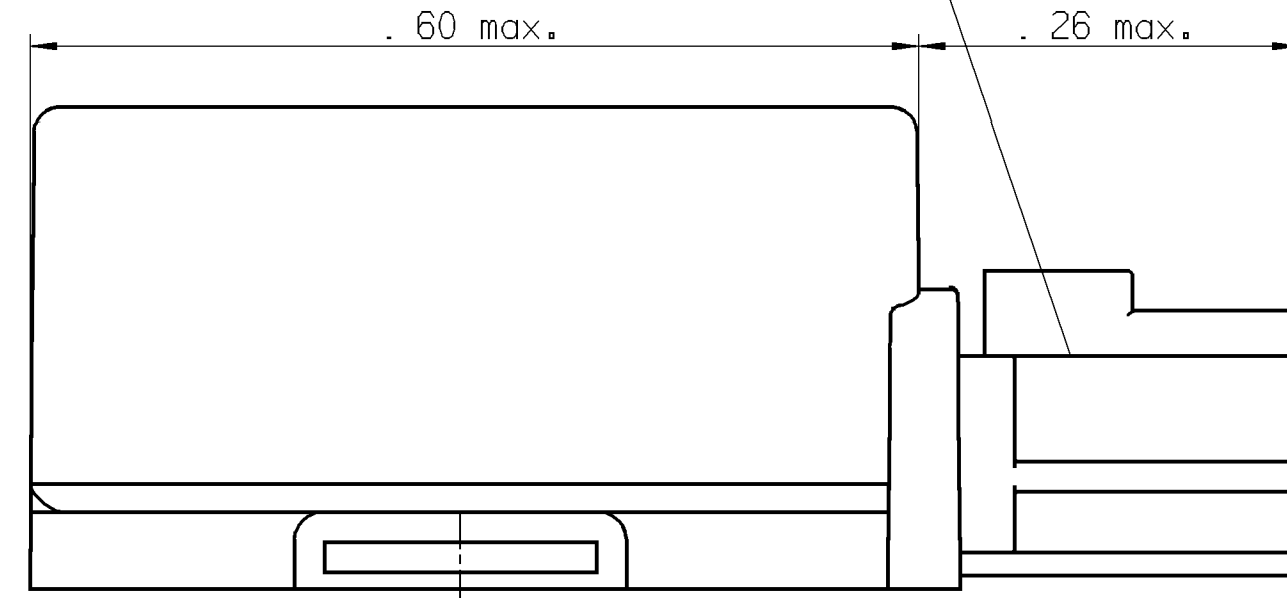
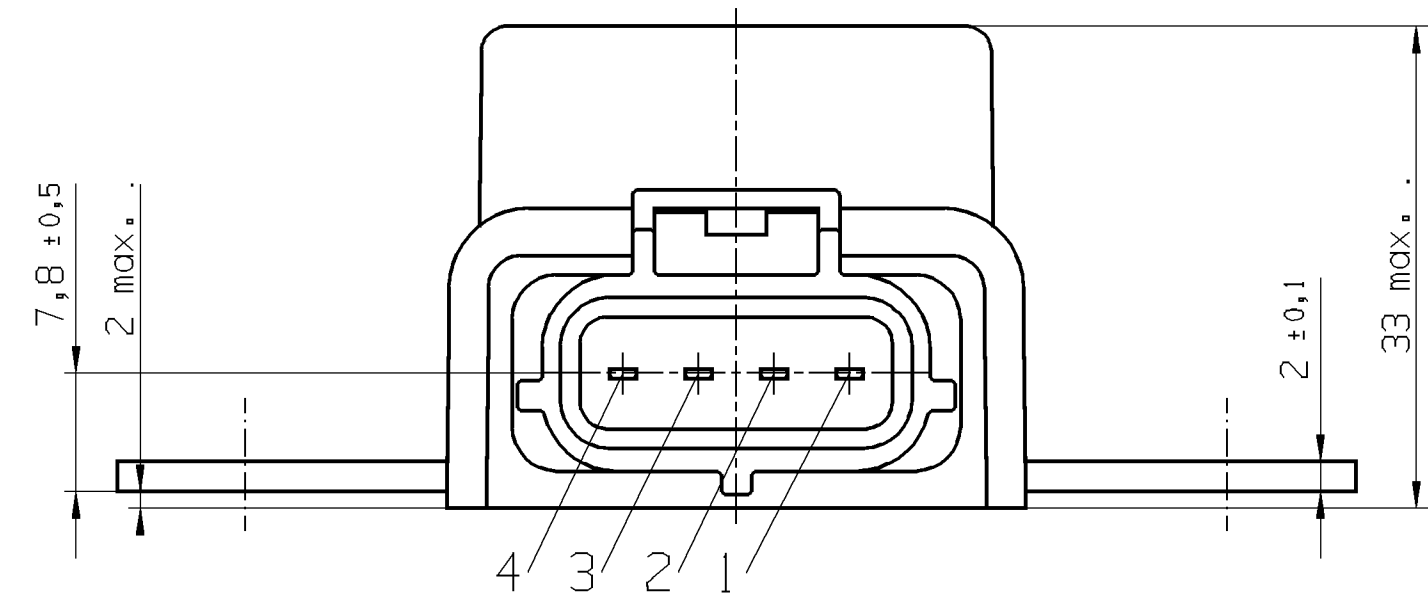
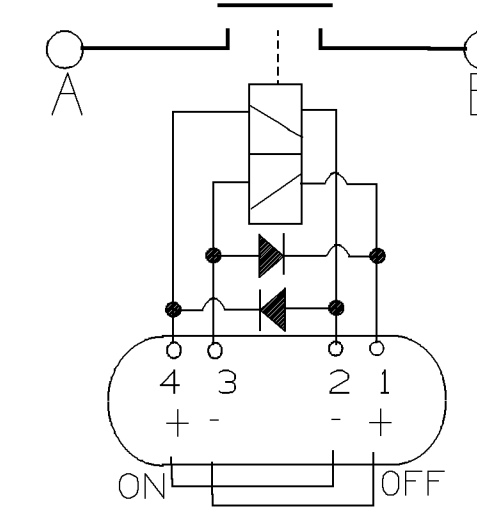


AMP Sensor Connector 4-Position 0.070 Series,  
appropriate for AMP part no. 184046-1



3D-VIEW

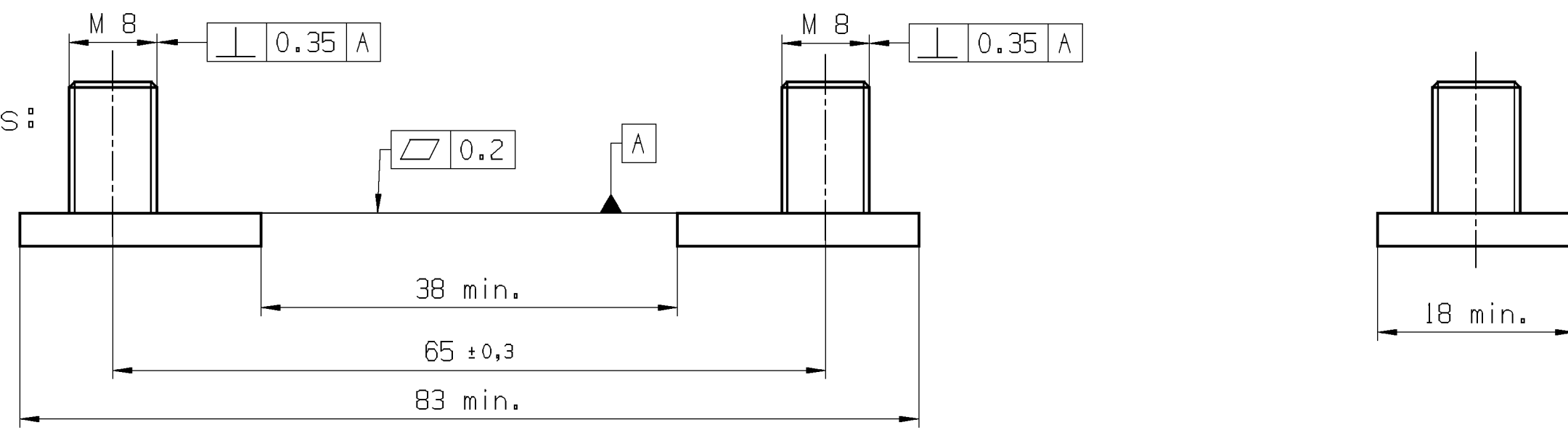
Pin Assignment



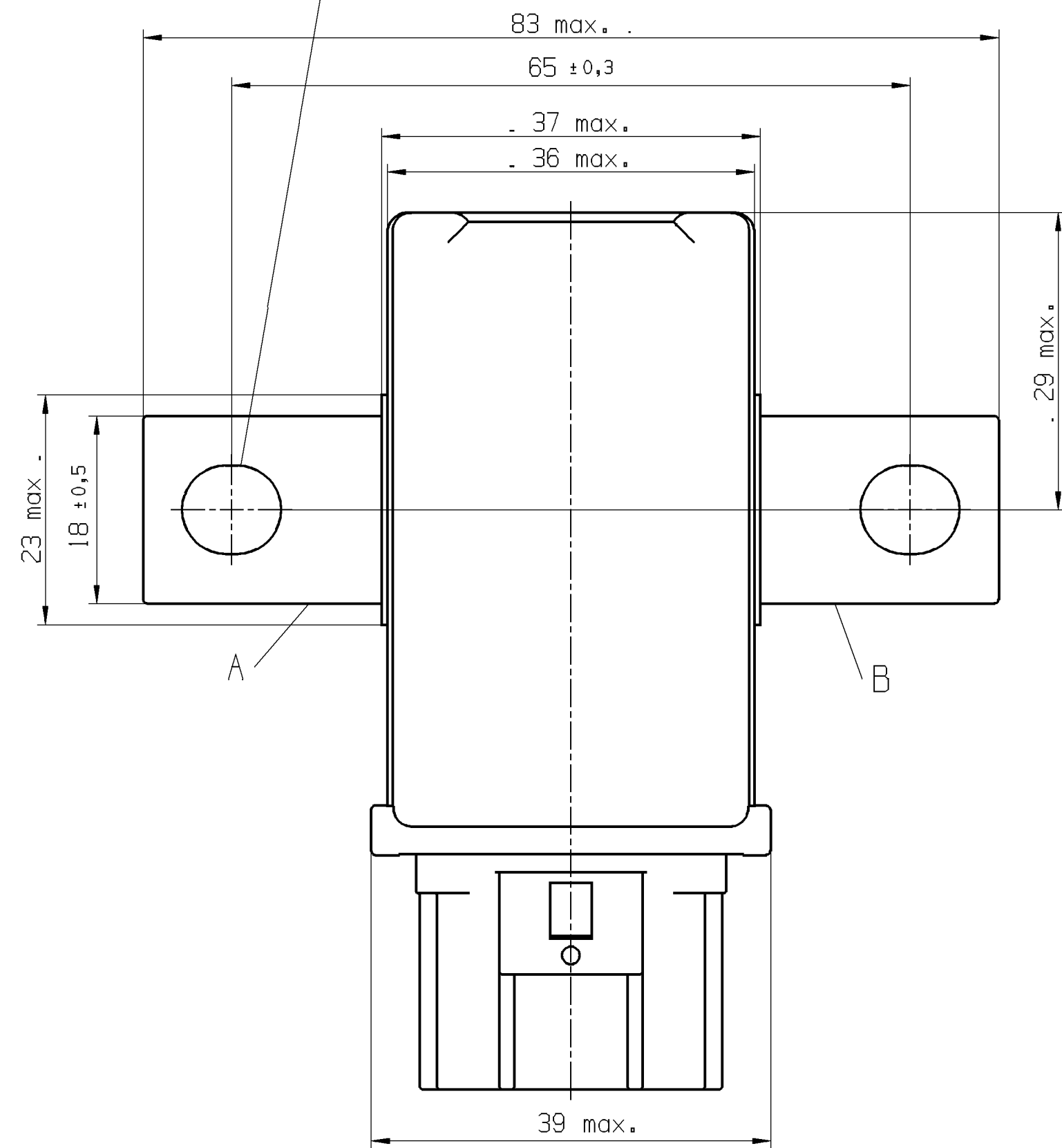
Terminal	Function
4	Set Coil (+)
3	Reset Coil (-)
2	Set Coil (-)
1	Reset Coil (+)
A	Load Terminal
B	Load Terminal

Set = A and B get connected

Mounting Conditions:



Permitted Screwing Torque: 13Nm max.  
This screwing torque will not cause any defect on the relay



Tyco Electronics Part Number  
1-1414939-4

<small>PROPRIETARY</small> THE REPRODUCTION, TRANSMISSION OR USE OF THIS DOCUMENT OR IT'S CONTENTS IS NOT PERMITTED WITHOUT EXPRESSED WRITTEN AUTHORITY. OFFENDERS WILL BE LIABLE FOR ALL DAMAGES. ALL RIGHTS, INCLUDING RIGHTS CREATED BY REGISTERED PATENTS ARE GRANTED FOR A UTILITY MODEL OR DESIGN, ARE RESERVED.		CHANGES TO THIS DRAWING MUST BE DONE ONLY IN CAD	<small>PAPER SIZE</small> A1
<small>APPLICABLE SPEC.</small>		<small>FINISH</small>	
<small>TOLERANCE UNLESS SPECIFIED OTHERWISE</small> 150 8015 ISO 2768-CL		<small>DIMENSIONS IN MM</small> SCALE <b>2:1</b>	<small>PLATING</small> WEIGHT
<small>DATE</small> 28.02.2002		<small>MATERIAL</small>	
<small>APP.</small> Initial		<small>PART NAME</small> <b>BDS-A 14V Latching</b>	
<small>REV.</small> Initial		<small>PART NO.</small> <b>V23130-C2021-A412-CD</b>	
<small>DATE</small> 2007-09-18		<small>APP.</small> Initial	
<small>CHANGE ORDER</small>		<small>TYCO ELECTRONICS</small>	