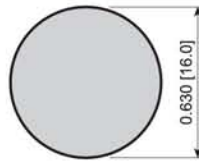


### Suggested Panel Cutout



Maximum Panel Thickness: 0.236 [6.0]

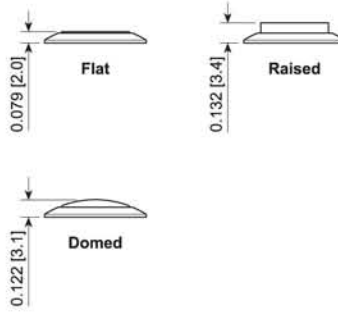
### FEATURES:

- Vandal Resistant
- Water Resistant
- Long Life Expectancy

### SPECIFICATIONS:

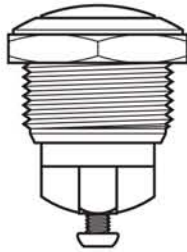
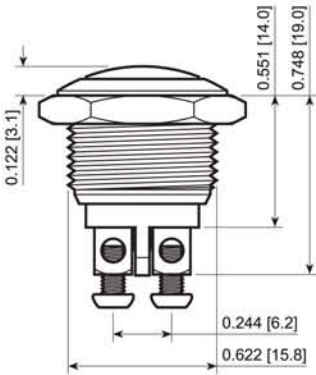
**RATING:** 2A 48VDC  
**TEMPERATURE:** -20°C to 55°C  
**ELECTRICAL LIFE:** 200,000 Cycles  
**CONTACT RESISTANCE:** 50mΩ Max. at 1A 12VDC  
**INSULATION RESISTANCE:** 1,000MΩ Min.  
**DIELECTRIC STRENGTH:** 2,000VAC for 1 Minute  
**INGRESS PROTECTION:** IP65

### Actuator Options

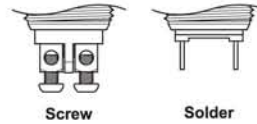


### MATERIALS:

**BUSHING:** Gold Plated Brass  
 Nickel Plated Brass  
 Stainless Steel  
**ACTUATOR:** Gold Plated Brass  
 Nickel Plated Brass  
 Stainless Steel  
**BASE:** Polybutylene Terephthalate, UL94 V-2  
**SEALING:** Silicone  
**INNER ASSEMBLY:** Polyamide 6/6  
 Brass  
**SPRING:** Stainless Steel  
**CONTACT:** Silver Plated Brass  
**TERMINALS:** Silver Plated Brass  
 Steel  
**HARDWARE:** Nickel Plated Brass



### Terminal Options



PV2F640SS



PV2H640SS



PV2S640GG



PV2S640NN

### EXAMPLE PART NUMBERS:

PV2F640GG	1P Off-(On) Flat Actuator, Gold Plated Finish
PV2F640NN	1P Off-(On) Flat Actuator, Nickel Plated Finish
PV2F640SS	1P Off-(On) Flat Actuator, Stainless Steel Body
PV2H640GG	1P Off-(On) High Actuator, Gold Plated Finish
PV2H640NN	1P Off-(On) High Actuator, Nickel Plated Finish
PV2H640SS	1P Off-(On) High Actuator, Stainless Steel Body
PV2S640GG	1P Off-(On) Domed Actuator, Gold Plated Finish
PV2S640NN	1P Off-(On) Domed Actuator, Nickel Plated Finish
PV2S640SS	1P Off-(On) Domed Actuator, Stainless Steel Body

<b>Series</b>	<b>Actuator Options</b>	<b>Terminal</b>	<b>Function</b>	<b>Rating</b>	<b>Body Finish</b>	<b>Actuator Finish</b>	<b>Contact Material</b>	<b>Marking Options</b>
PV2	F - Flat H - High S - Domed	2 - Solder 6 - Screw	1 Pole: 4 - Off-(On)	0 - 2A 48VDC	G - Gold N - Nickel S - Polished Stainless Steel B - Brushed Stainless Steel	G - Gold N - Nickel S - Polished Stainless Steel B - Brushed Stainless Steel	None - Silver G - Gold	None - No Marking M01 - Power Symbol Custom Markings Available

Notes:  
Additional material options available upon request. Please ask your salesperson.