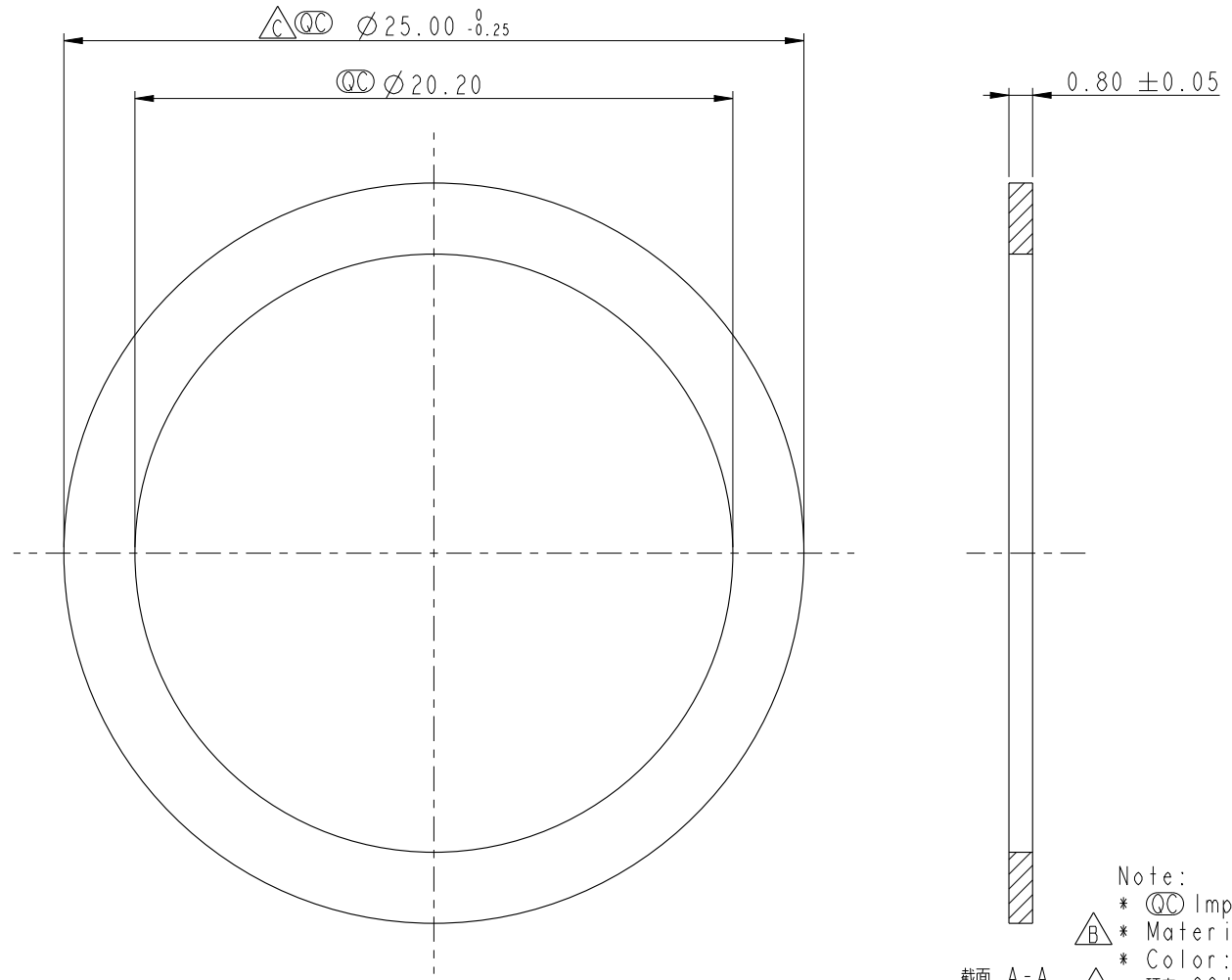


THIS DOCUMENT IS SUBJECT TO CHANGE WITHOUT NOTICE. IT IS CONFIDENTIAL AND A PROPERTY OF LTW. DISCLOSURE TO THIRD PARTY HAS TO BE AUTHORIZED BY LTW.

REV.	ECN NO.	DATE	SIGN	DESCRIPTION
B	LEN-810143	2008/01/15	Dominic	Change color
C	LEN1150030	2011/05/11	Rita	Update dim & note



Note:
 * ⊚ Important Dimension To Check
 * Material: SILICONE (UL94V-0)
 * Color: Gray, Pantone 296U
 * 硬度: 60±5

ALTW
CONFIDENTIAL
 2011-05-11
R&D DEPT.

UNIT: mm		
TOLEARANCE	±0.25	
.X	±0.1	
.XX	±0.05	
.XXX	±1°	
ANGLES		

TITLE GASKET		
SCALE 4:1	SIZE A4	SHEET 1 OF 1
REV. C	WC-REV. B.2	⊚: Inspection item

Amphenol LTW
 安費諾亮泰企業股份有限公司

ITEM NO. DGA00010089	DRAWN BY Rita	DATE 2011-05-11
DWG NO. DGA00010089	CHECKED BY Vicky	DATE 2011-05-11
CUSTOMER	APPROVED BY Luke	DATE 2011-05-11