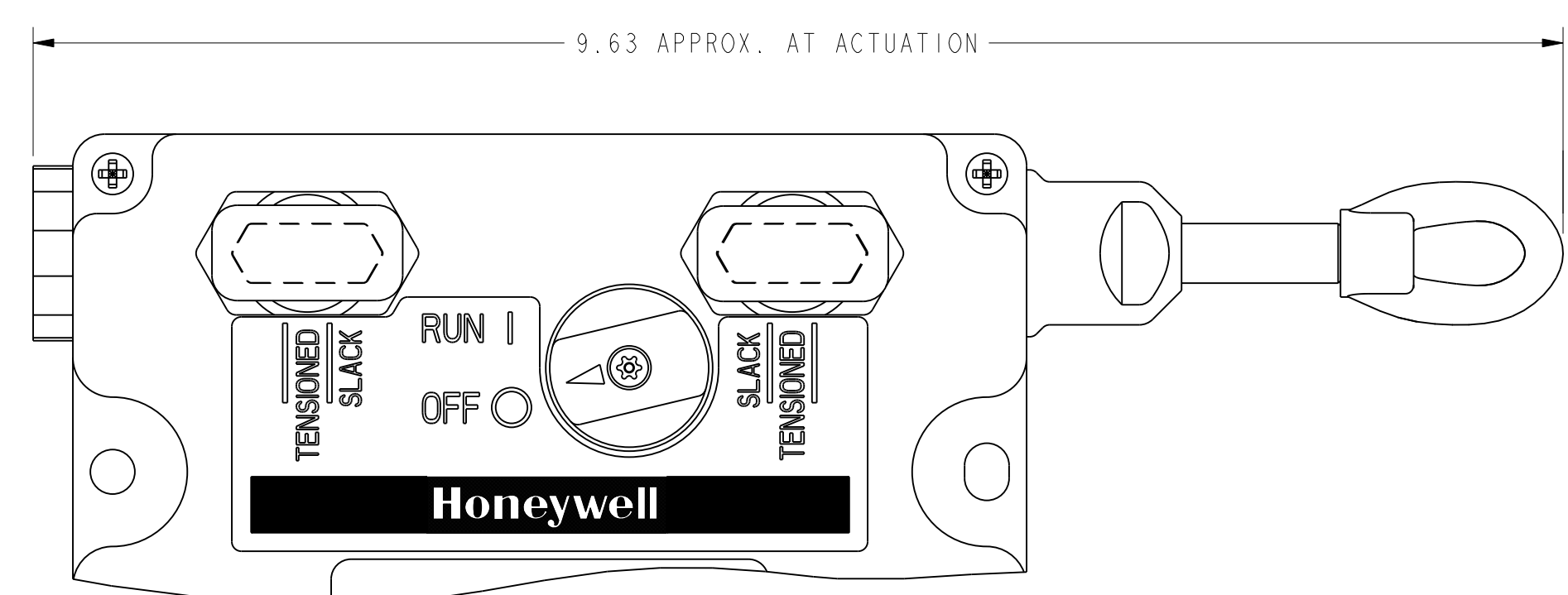
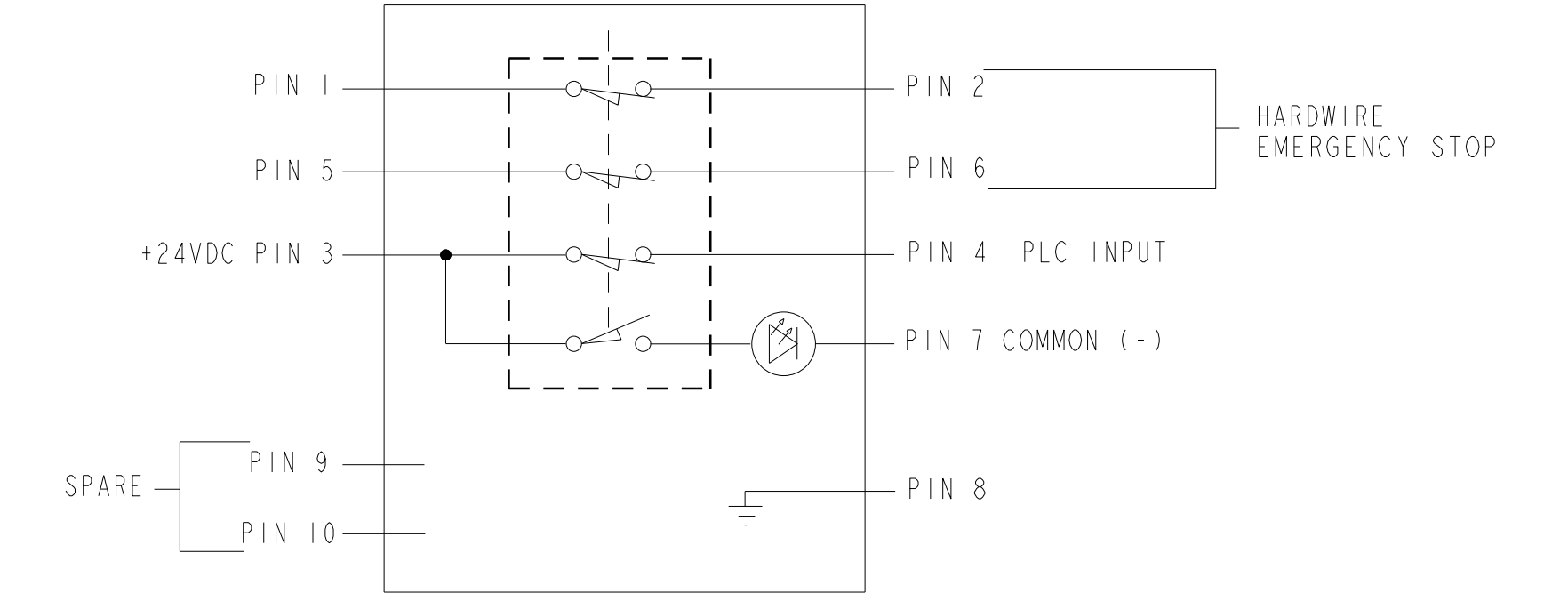
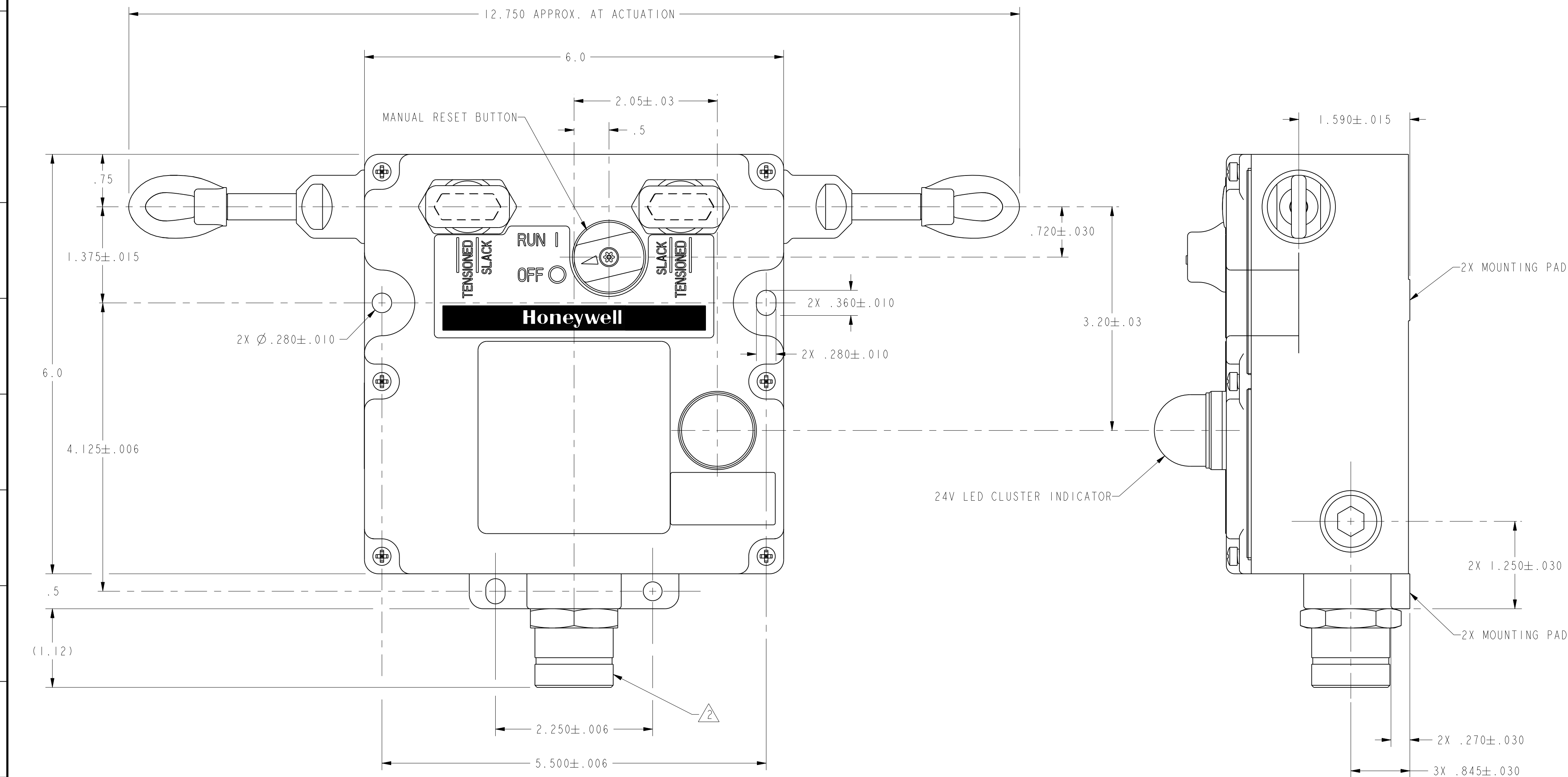
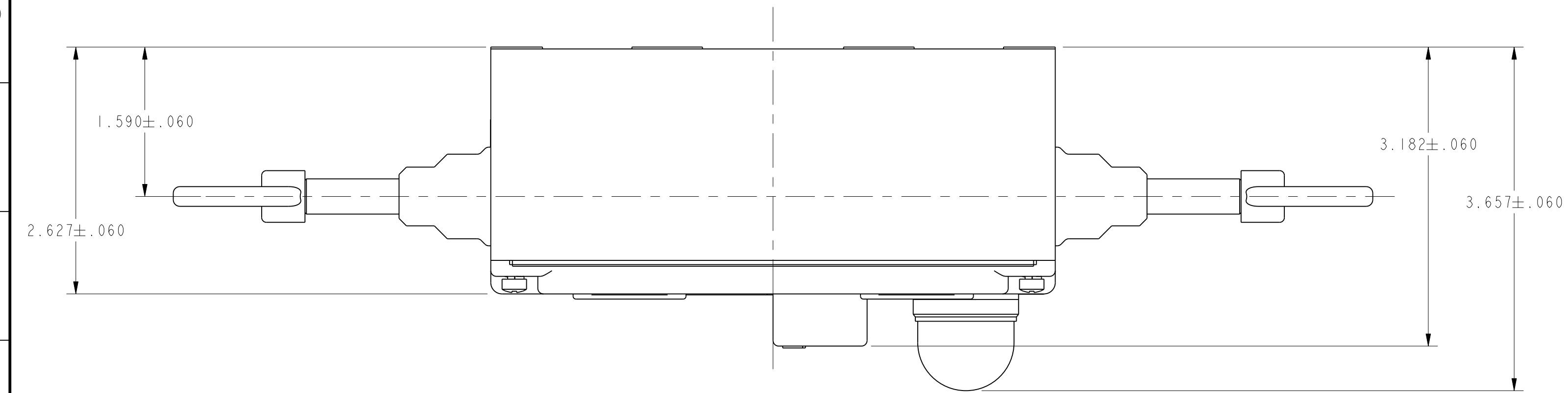


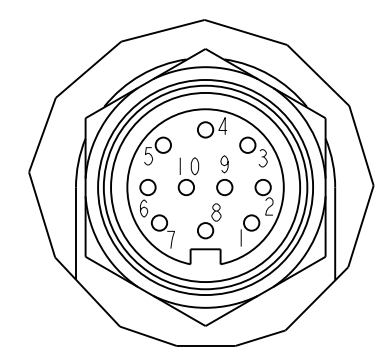
REV	DOCUMENT	CHANGED BY	CHECK
5	0042519	SSK 22AUG08	BLR

2CPSA1B A-F01

ACTUATION CODE	
1	MAINTAINED BOTH SIDES
2	MAINTAINED LEFT SIDE, NO ACTUATION RIGHT SIDE
3	MAINTAINED RIGHT SIDE, NO ACTUATION LEFT SIDE

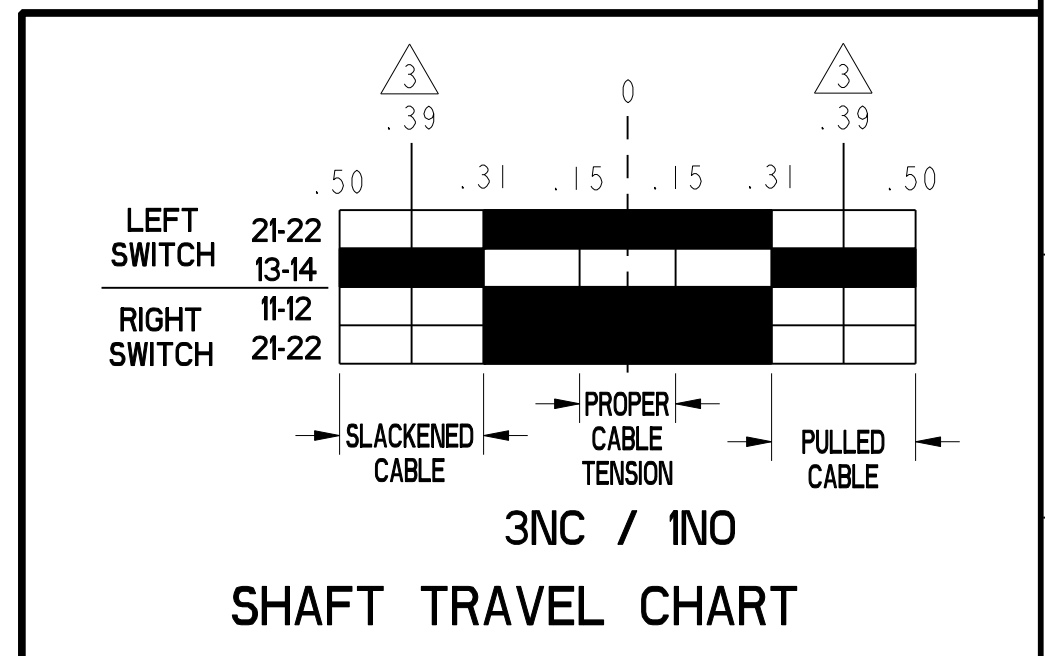


ACTUATION CODES "2" AND "3" DETAIL
(ACTUATION CODE "3" SHOWN)



ELECTRICAL RATING				ENVIRONMENTAL		APPROVALS	
AC		DC		IP 67 NEMA 1, 4, 12 & 13		UL CE	
A300 Ue	AC15 Ie	O300 Ue	DC13 Ie	TEMP RANGE: -40°C TO 85°C -40°F TO 185°F		IEC/EN60947-5-5	
(VOLTS)	(AMPS)	(VOLTS)	(AMPS)	STORAGE: -40°C TO 85°C -40°F TO 185°F			
120	6	24	2.8	SHOCK: 15G PER IEC 68-2-27			
240	3	125	.55	VIBRATION: 5G PER IEC 68-2-6			
Ith = 10A							

NOTES
 1 - HARDWARE PACKET CONSISTING OF TWO CONDUIT THREAD PLUGS AND ONE "J" HOOK TURNBUCKLE FOR EACH ACTUATOR IS INCLUDED WITH PRODUCT
 2 - 10-PIN CONNECTOR, BRAD HARRISON PART NUMBER 3R1006A21F010 OR EQUIVALENT POSITIVE OPENING TO IEC/EN60947-5-1
 3 - FORCE TO MAINTAIN ACTUATION SHAFT AT PROPER TENSION: 25 LBS
 4 - ACTUATION SHAFT OPERATE FORCE: 40 LBS



UNLESS OTHERWISE SPECIFIED TOLERANCES ARE:	ASSEMBLY	DRAWN	JLH	26MAR02
NO PLACE	X	±.040	±.1	CHECK
ONE PLACE	.X	±.030	±0.4	SAV
TWO PLACE	.XX	±.015	±0.15	
THREE PLACE	.XXX	±.005	±	
ANGLES		±		
RAW MATERIAL - COMMERCIAL STANDARD				
THIRD ANGLE PROJECTION		DIMENSIONS ARE TO BE MET BEFORE PROTECTIVE COATINGS ARE APPLIED		
PTC 3D		ASME Y14.5M-1994		
Honeywell				
TITLE SWITCH, ASSEMBLY				
SIZE	DWG TYPE	DRAWING NAME	REV	
D	I	2CPS SERIES CHART 4	5	
SCALE	I:1	WEIGHT	SHEET	1 OF 1