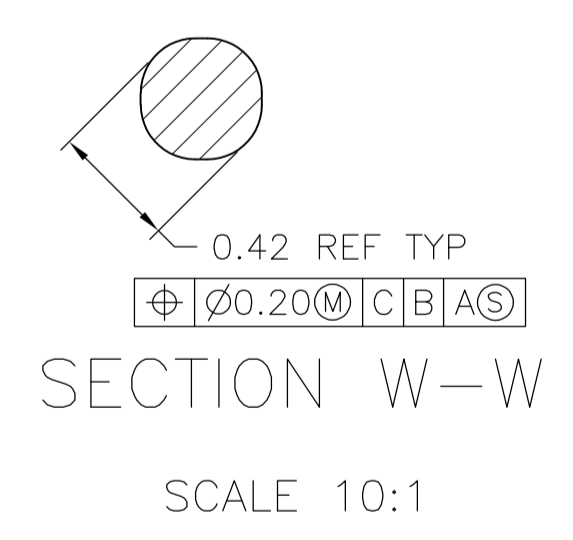


- 1 MATERIAL: HOUSING: POLYESTER, GRAY. UL 94V-0. CONTACT: HIGH CURRENT COPPER ALLOY.
- 2 FINISH: CONTACT MATING AREA: 1.27 μm MIN GOLD OR 0.08 μm MIN GOLD OVER 0.76 μm MIN PALLADIUM-NICKEL. ACTION PIN AREA: 0.54 μm MIN TIN LEAD PLATE, ALL OVER 1.27 μm MIN NICKEL UNDERPLATE.
- 3 FINISH: CONTACT LUBRICATION WITH BELLCORE APPROVED LUBRICANT. TECHNICAL REFERENCE: TR-NWT-001217 ISSUE 1, SEPT 1992.
- 4 THE 10.26 ± 0.13 DIMENSION APPLIES IN THIS AREA.
- 5 REFERENCE APPLICATION SPEC 114-1103 FOR RECOMMENDED PLATED THRU HOLE DIAMETER AND PLATING THICKNESSES.
- 6 CURRENT RATING 16A/CONTACT PER PRODUCT SPEC 108-1651.



C,D	A,B	-	4	1645501-1
POSITIONS LOADED WITH 10.90 REF CONTACTS	POSITIONS LOADED WITH 9.30 REF CONTACTS	POSITIONS LOADED WITH 7.68 REF CONTACTS	NO OF LOADED POSITIONS	PART NUMBER
THIS DRAWING IS A CONTROLLED DOCUMENT.		DIN D. HUMBERT 13APR2009 CHK G. GRIFFITH 14APR2009 APVD G. GRIFFITH 14APR2009 NAME Tyco Electronics Corporation Harrisburg, Pa 17105-3608 Tyco Electronics ASSEMBLY, RIGHT ANGLE HEADER, W/ RETENTION PEGS, UNIVERSAL POWER MODULE SIZE CAGE CODE DRAWING NO RESTRICTED TO A1 00779 C=1645501 WEIGHT -- CUSTOMER DRAWING SCALE 6:1 SHEET 1 OF 1 REV B		
DIMENSIONS: mm	TOLERANCES UNLESS OTHERWISE SPECIFIED:	0 PLC ± - 1 PLC ± - 2 PLC ± 0.13 3 PLC ± - 4 PLC ± - ANGLES ± -		
		MATERIAL 1 FINISH 2, 3		

RECOMMENDED PCB HOLE LAYOUT