

SAFETY ORGANIZATION(S):

THIS FILTER HAS BEEN FORMALLY RECOGNIZED, CERTIFIED OR APPROVED BY THE LISTED AGENCY. THEREFORE, ALL TEST/REQUIREMENTS SPECIFIED IN THE LATEST REVISION OF THE FOLLOWING AGENCY STANDARDS HAVE BEEN MET:

- UL RECOGNIZED
- UL 1283
- CSA CERTIFIED
- CSA 22.2, NO.0,0.4,8
- VDE APPROVED
- VDE 565-3

OPERATING SPECIFICATIONS:

- LINE VOLTAGE/CURRENT: 20 AMP., 120/250 VAC
- LINE FREQUENCY: 16 AMP./40°C, 250 VAC
- MAX. CASE RISE RATED CURRENT: 50-60Hz
- MAX. LEAKAGE CURRENT, EACH LINE TO GROUND: 40°C
- OPERATING AMBIENT TEMP. RANGE: 0.5mA at 120V 60 Hz
- IN AN AMBIENT, I_a , HIGHER THAN 40°C, THE MAXIMUM OPERATING CURRENT, I_o , IS AS FOLLOWS: 1.2 mA at 250V 50 Hz
- RELIABILITY SPECIFICATIONS: -10°C TO +40°C RATED CURRENT, I_r

$$I_o = I_r \sqrt{\frac{85-I_a}{45}}$$

RELIABILITY SPECIFICATIONS:

- STORAGE TEMPERATURE: -40°C TO +85°C
- HUMIDITY: 21 DAYS @ 40°C 95% RH
- CURRENT OVERLOAD TEST: 6 TIMES RATED CURRENT FOR 8 SECONDS

TEST SPECIFICATIONS:

- INDUCTANCE: 1.76 mH NOMINAL
- CAPACITANCE: (MEASURED @ 1 KHz, 0.25 VAC MAX., 25°C ±1°C)
- LINE TO GROUND: .013µF ±20%
- LINE TO LINE: 1.08µF ±20%
- DISCHARGE RESISTOR: 330 KΩ
- LINE/GROUND AND LINE/LINE INSULATION RESISTANCE (W/O DISCHARGE RESISTOR): 6000 MΩ (MIN) AT 100 VDC
- 20°C AND 50% RH

RECOMMENDED RECEIVING INSPECTION HIPOT:

- LINES TO GROUND: 2250 VDC FOR 1 MINUTE
- LINE TO LINE: 1450 VDC FOR 1 MINUTE

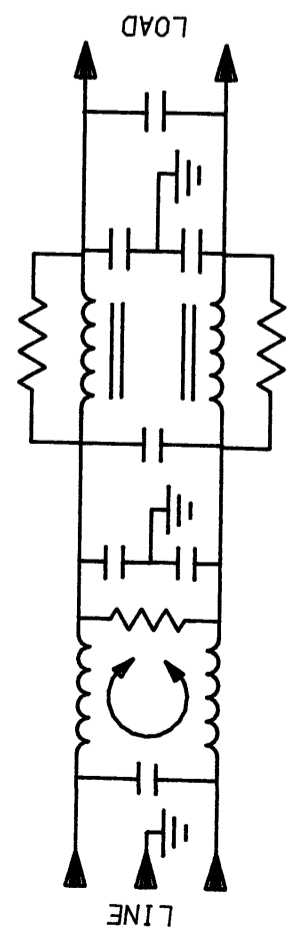
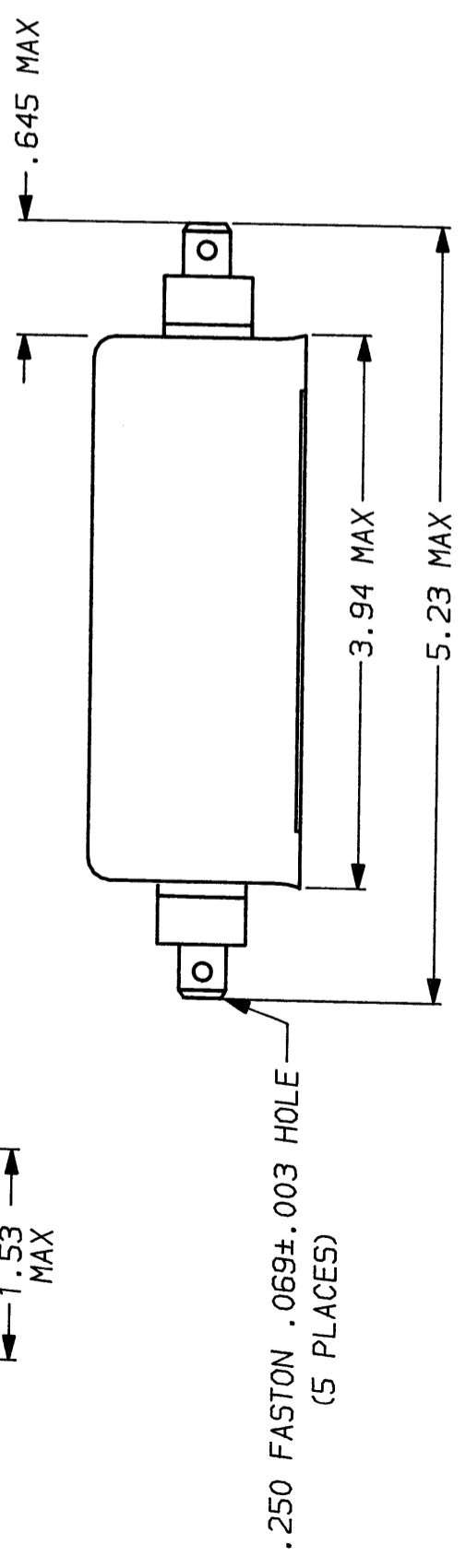
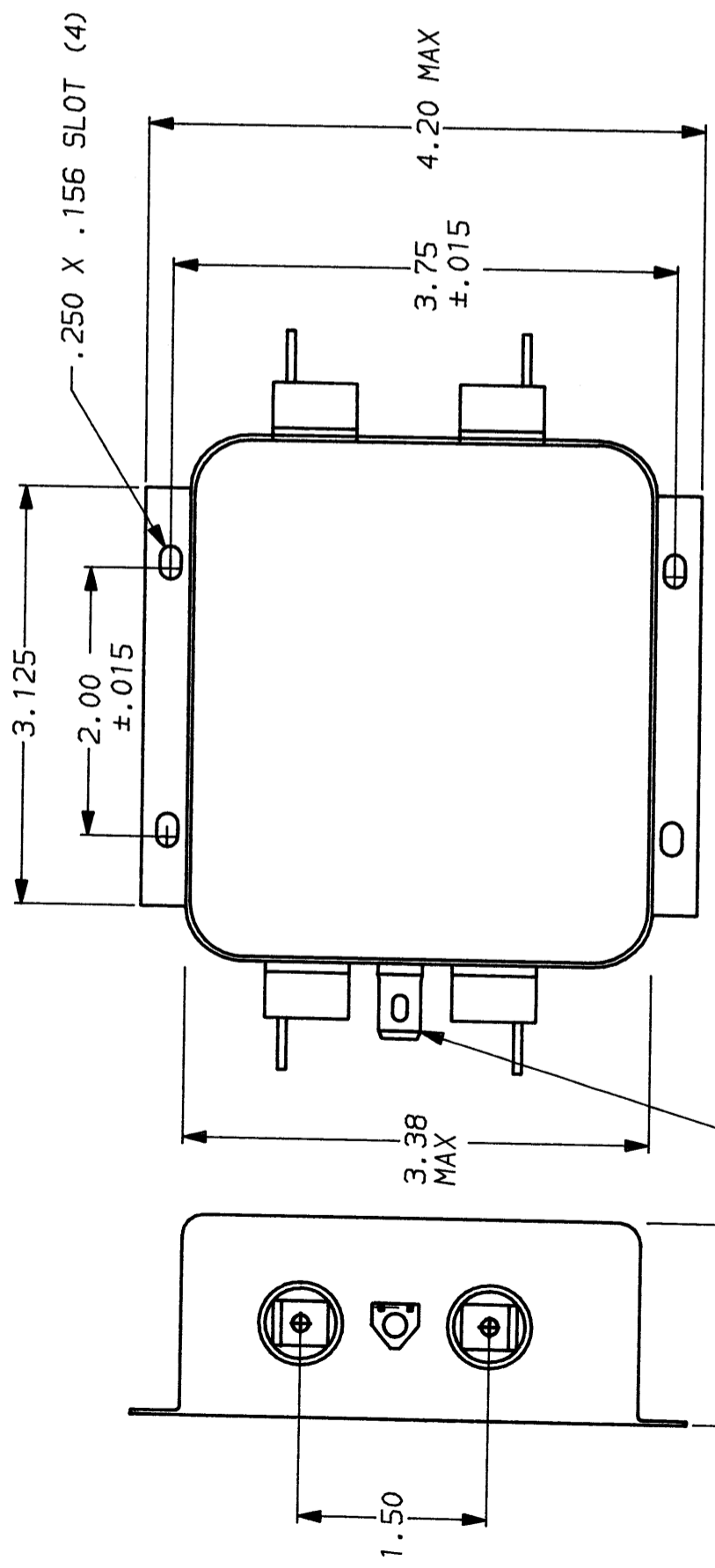
FILTER APPROVAL:

THE BEST WAY TO SELECT AND QUALIFY A FILTER IS FOR YOUR ENGINEERING TO TEST THE UNIT IN YOUR EQUIPMENT.

50Ω - 50Ω (MINIMUM) INSERTION LOSS

FREQUENCY MHz	.15	.5	1	2	5	10	20	30
COMMON dB	19	35	35	40	65	65	57	47
DIFF. dB	28	65	65	65	65	60	50	45

This document is proprietary to CORCOM INC. and is not to be reproduced nor used for manufacturing purposes except on CORCOM's order or prior written consent.



TOLERANCE EXCEPT AS NOTED

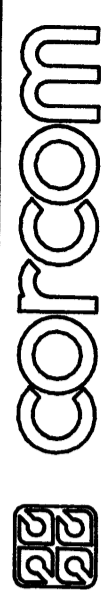
- DECIMAL: .XXX .XX .X ANGLES ± 1°
- ENGLISH: ±.025
- METRIC: ±

MATERIAL:

AS SUPPLIED

FINISH:

AS SUPPLIED



LIBERTYVILLE, IL 60048

POWER LINE FILTER

SCALE	DATE	DRG. NO.	REV.
NTS	9-12-89		
DRN. BY	ORIGINATOR		
TDL	CW		

20VW1.07