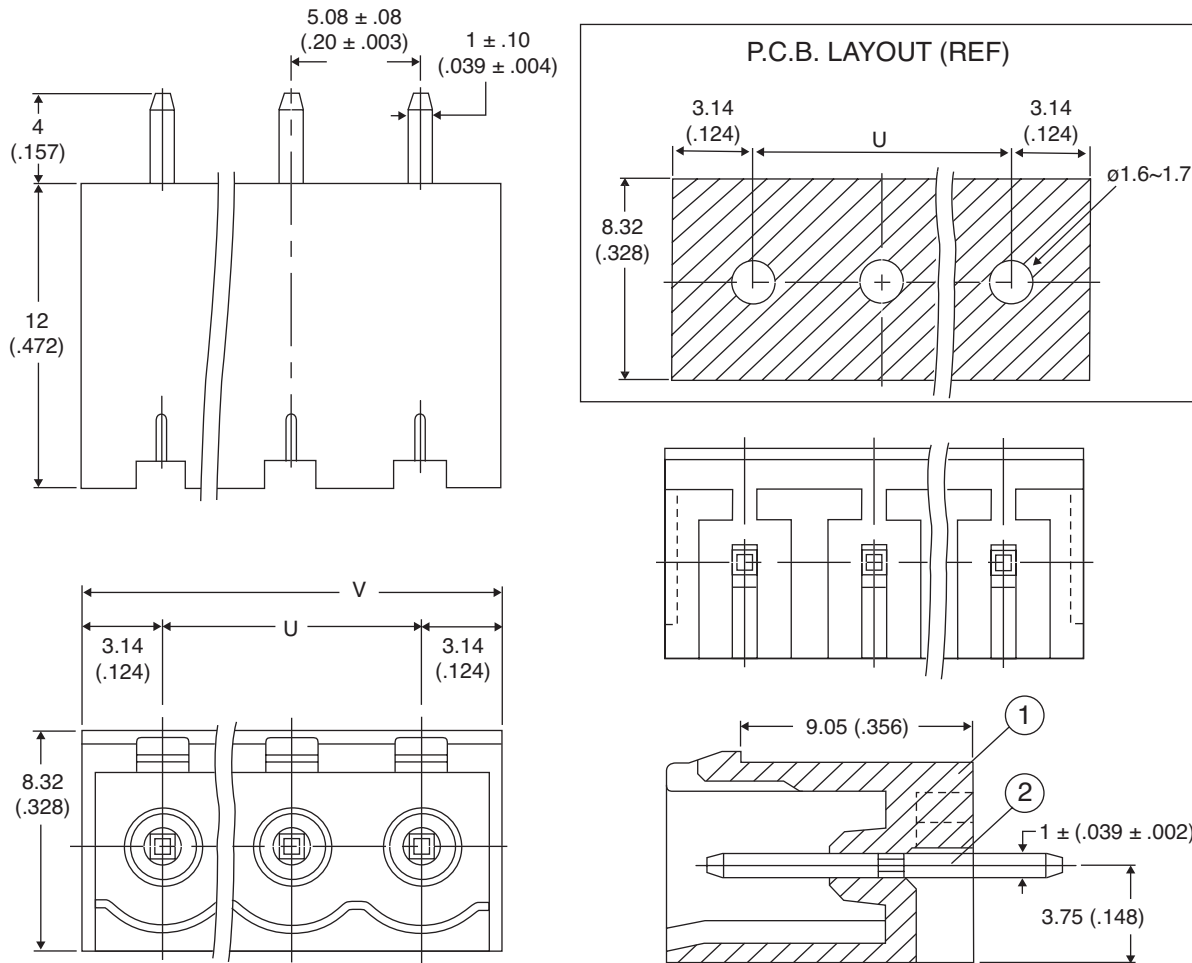


Terminal Block Headers

158-P022EHDVCH-E, 158-P032EHDVCH-E, 158-P042EHDVCH-E,
 158-P052EHDVCH-E, 158-P062EHDVCH-E, 158-P072EHDVCH-E,
 158-P082EHDVCH-E, 158-P092EHDVCH-E, 158-P102EHDVCH-E,
 158-P112EHDVCH-E, 158-P122EHDVCH-E



Terminal Block Headers



Dimensions: mm (In.)

| P | 02P | 03P | 04P | 05P | 06P | 07P | 08P | 09P | 10P | 11P | 12P |
|------|-------|-------|-------|-------|-------|-------|-------|-------|-------|-------|-------|
| U mm | 5.08 | 10.16 | 15.24 | 20.32 | 25.40 | 30.48 | 35.55 | 40.64 | 45.72 | 50.80 | 55.88 |
| V mm | 11.38 | 16.44 | 21.52 | 26.6 | 31.68 | 36.76 | 41.84 | 46.92 | 52.0 | 57.08 | 62.16 |

| SPECIFICATIONS | |
|--------------------------------|-------------------------|
| Rating: | 300V 15A |
| Pitch: | 5.08 mm |
| Insulation withstands voltage: | AC 1500 V/min |
| Insulation resistance: | 500MΩ or more at DC500V |
| Temperature range: | -40°C ~ +105°C |

| MATERIAL SPECIFICATIONS | |
|-------------------------|-------------------|
| 2 Solder pin: | Copper tin plated |
| 1 Housing: | PA66 green |
| RoHS Compliant | |

Date Last Revised: 4/3/07

Available from Mouser Electronics
1-800-346-6873
www.mouser.com

KC- 301129

Specifications are subject to change without notice. No liability or warranty implied by this information. Environmental compliance based on producer documentation.

158-P022EHDVCH-E, 158-P032EHDVCH-E, 158-P042EHDVCH-E, 158-P052EHDVCH-E,
 158-P062EHDVCH-E, 158-P072EHDVCH-E, 158-P082EHDVCH-E, 158-P092EHDVCH-E,
 158-P102EHDVCH-E, 158-P112EHDVCH-E, 158-P122EHDVCH-E