

RP610 Series

High Performance Single Stage DC Power Line Filter

RP610 HIGH PERFORMANCE TO 20A DC FILTER

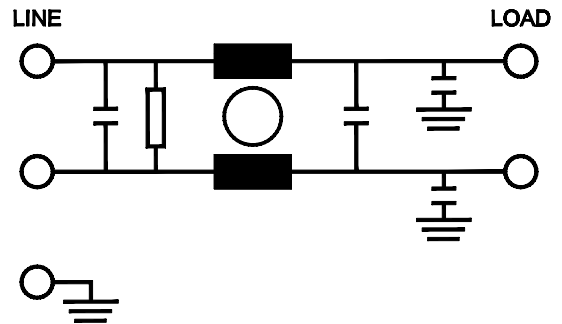
ROHS COMPLIANT



SPECIFICATIONS

Max. Operating Voltage	: 250VDC
Ambient Temperature	: -25 to 55C
Climatic Category	: 25/100/21
Hipot Rating (L-G)	: 1800VDC
Terminals (-T)	: QD: 0.25 Tabs
Typ. Weight, LBS (KG)	: 0.7 (0.3)

SCHEMATIC



PART NUMBER/ ORDERING

RP610	-X (Amps)	-Y (Ycap, nF)	-T
	3	10	QD
	6	100	
	10	1000	
	12		
	20		

Note: Use any combination of -Y with any -X (Amps) rating
e.g. RP610-20-10-QD (20 Amps with 10nF Y-cap)

RP610

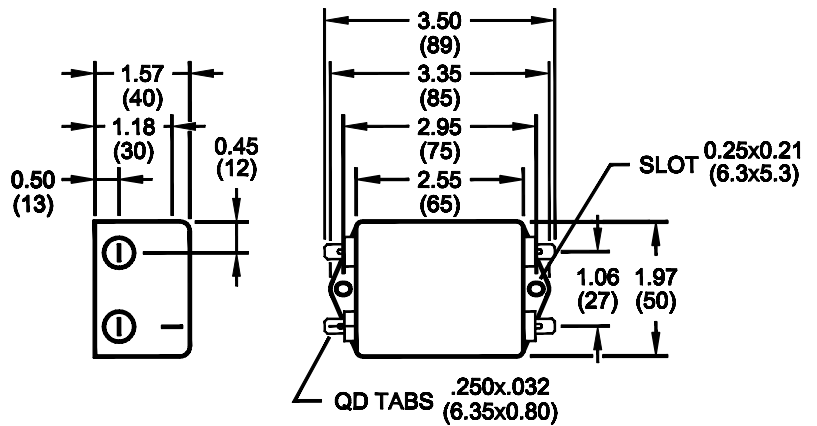
Typical Insertion Loss, dB (50/50ohm) Mechanical Dimensions

3 Amp					
FREQ (MHz)	.15	.5	1	10	30
CM (dB)	40	55	65	65	60
DM (dB)	40	60	65	75	70

6 Amp					
FREQ (MHz)	.15	.5	1	10	30
CM (dB)	40	55	65	65	60
DM (dB)	42	62	65	75	70

10/12 Amp					
FREQ (MHz)	.15	.5	1	10	30
CM (dB)	40	55	65	65	60
DM (dB)	45	65	65	75	70

20 Amp					
FREQ (MHz)	.15	.5	1	10	30
CM (dB)	20	28	34	55	60
DM (dB)	30	55	58	60	60



TYPICAL TOLERANCE: +/-0.02 (0.50)