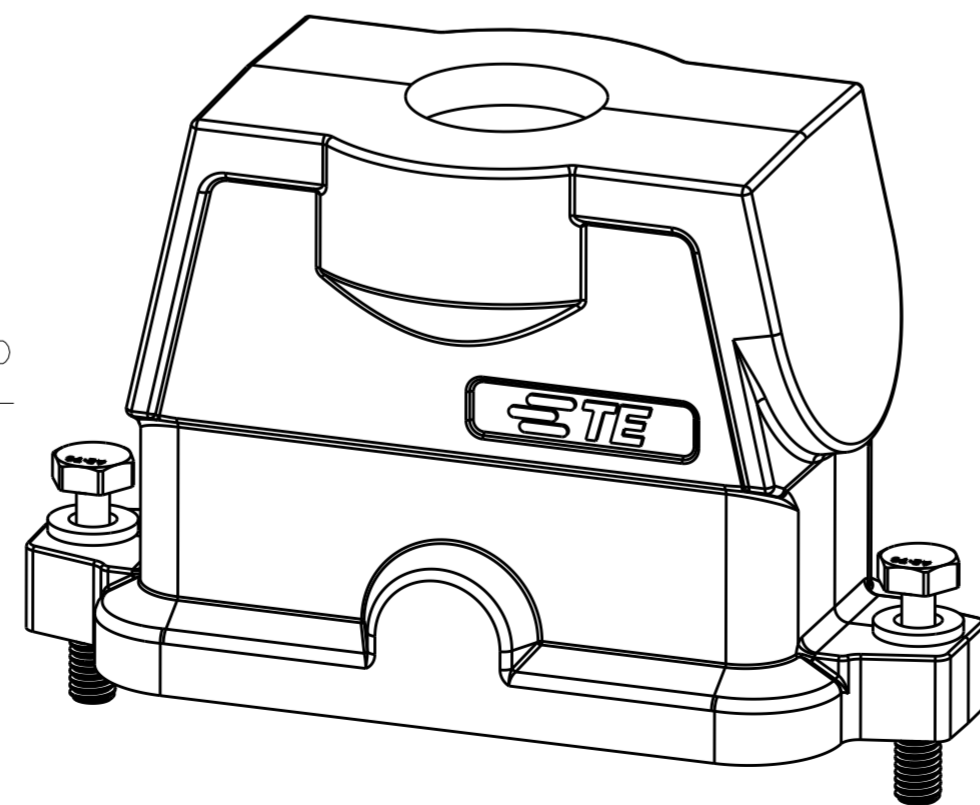
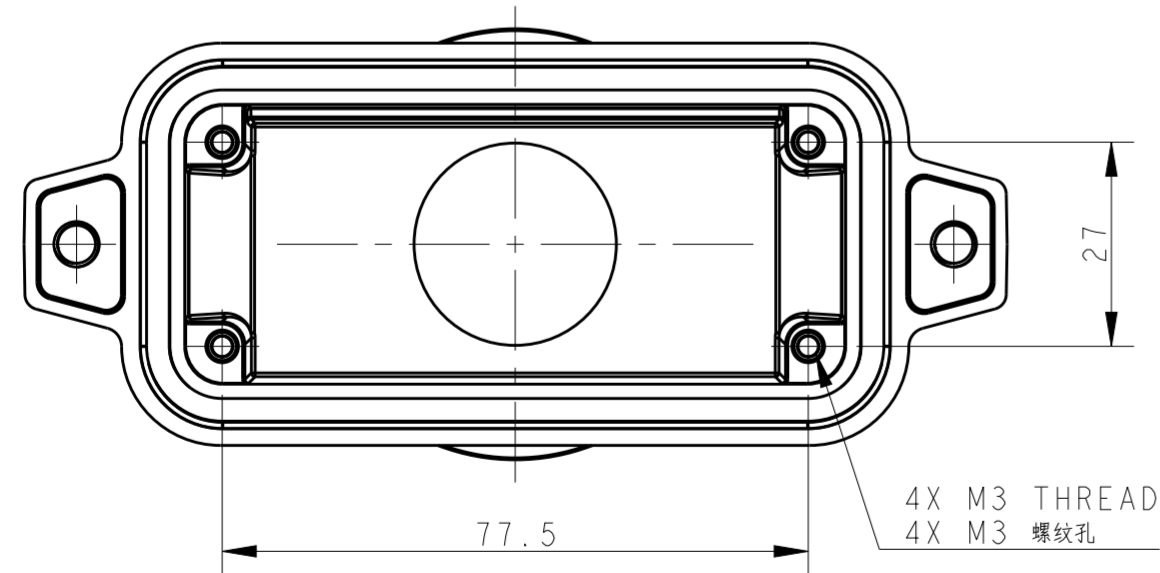
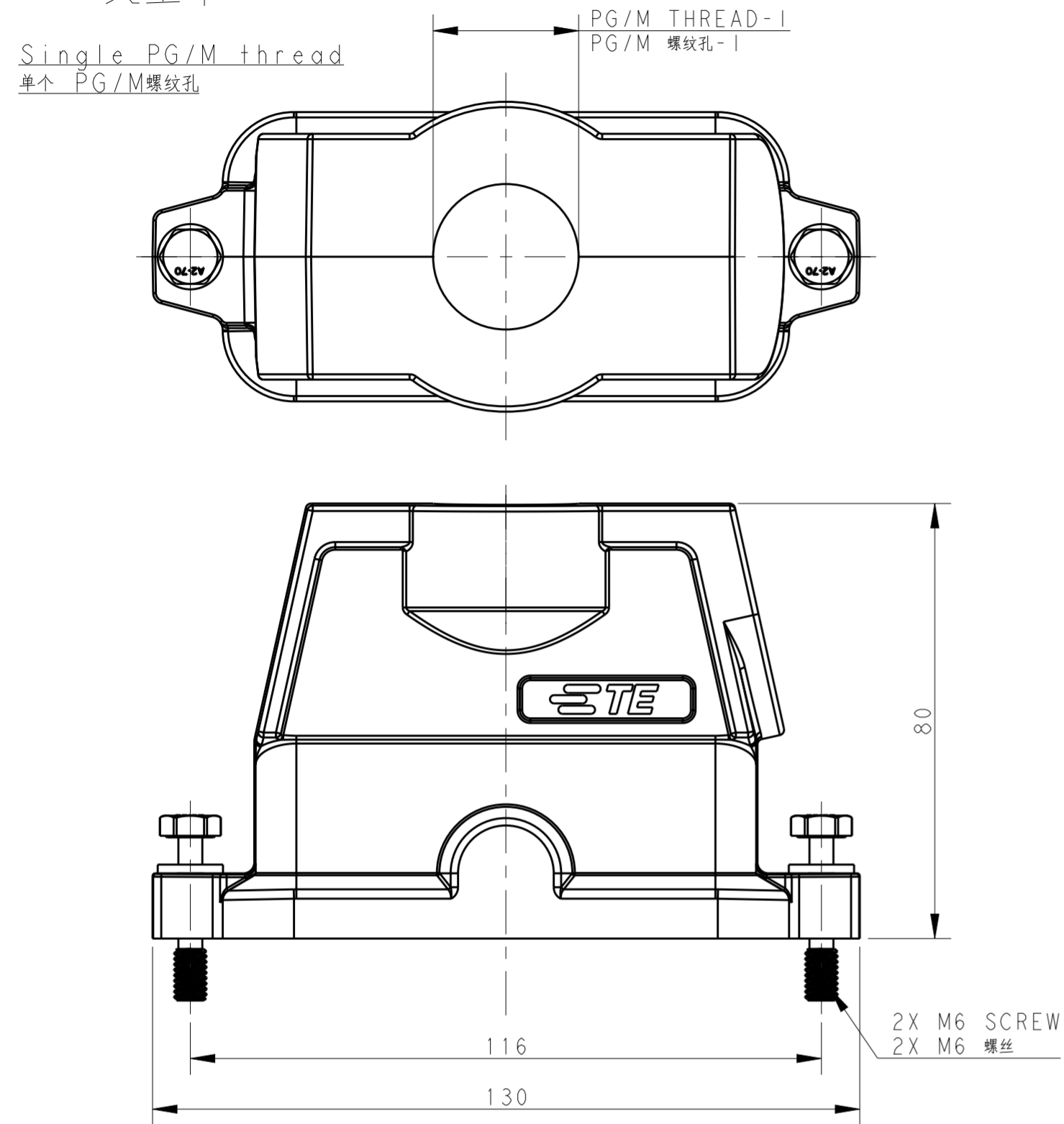
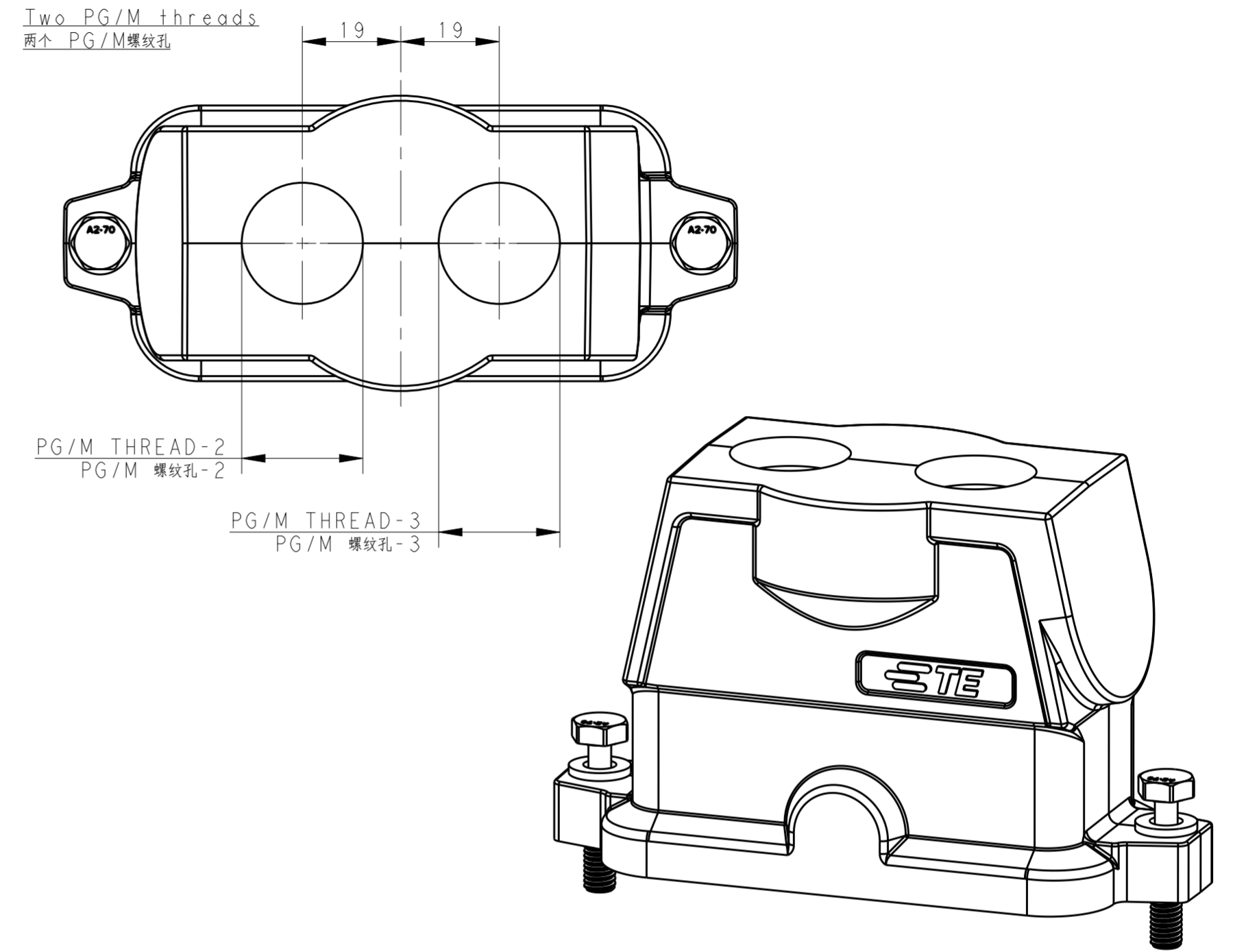


TYPE 1  
 类型 1



TYPE 2  
 类型 2

| REVISIONS |     |                 |           |       |
|-----------|-----|-----------------|-----------|-------|
| P         | LTR | DESCRIPTION     | DATE      | APVD  |
| A         |     | INITIAL RELEASE | 08OCT2016 | DW CW |
| A1        |     | ECR-17-018159   | 13DEC2017 | RL CW |
| B         |     | ECR-19-009256   | 23FEB2019 | CD CW |



All dimension is same as TYPE 1, except those defined in this TYPE  
 除了在本类型中定义的尺寸外, 其他尺寸同类型 1

NOTES:  
 1. TECHNICAL CHARACTERISTICS:  
 HOOD MATERIAL: DIE CAST ALUMINIUM ALLOY  
 SURFACE: SEE TABLE  
 DEGREE OF PROTECTION: IP68 (MATED)

注释  
 1. 技术参数:  
 壳体材料: 铝合金  
 表面处理: 见表格  
 防护等级: IP68 (配合)

|   |  |                                |                                |                 |
|---|--|--------------------------------|--------------------------------|-----------------|
| THIS DRAWING IS A CONTROLLED DOCUMENT.  |  | DWN 08OCT2016<br>DAVID WANG    | <b>STE</b> TE Connectivity     |                 |
|   |  | CHK 08OCT2016<br>CHRIS WANG    |                                |                 |
| DIMENSIONS:<br>mm   |  | APVD 08OCT2016<br>XIANG XU     | NAME<br>H16BPR-TGHC-PG/M-EMC-C |                 |
| TOLERANCES UNLESS OTHERWISE SPECIFIED:<br>0 PLC ±<br>1 PLC ±<br>2 PLC ±<br>3 PLC ±<br>4 PLC ±<br>ANGLES ±<br>FINISH |  | PRODUCT SPEC<br>108-137191     | RESTRICTED TO                  |                 |
| MATERIAL  |  | APPLICATION SPEC<br>114-137191 | SIZE<br>A2                     | CAGE CODE       |
|   |  | WEIGHT                         | DRAWING NO<br>G-T192216XXXXX09 |                 |
|   |  | Customer Drawing               | SCALE<br>1:1                   | SHEET<br>1 OF 2 |
|   |  |                                | REV<br>B                       |                 |


THIS DRAWING IS UNPUBLISHED. RELEASED FOR PUBLICATION 20  
 © COPYRIGHT 20 BY - ALL RIGHTS RESERVED.

| REVISIONS |     |             |      |      |
|-----------|-----|-------------|------|------|
| P         | LTR | DESCRIPTION | DATE | APVD |
| -         |     | SEE SHEET 1 | -    | -    |
|           |     |             |      |      |
|           |     |             |      |      |

NOTES:  
 SEE SHEET 1  
 备注:  
 见 SHEET 1

| PART NUMBER<br>料号 | DESCRIPTION<br>描述  | PG/M THREAD-3<br>PG/M 螺纹-3 | PG/M THREAD-2<br>PG/M 螺纹-2 | PG/M THREAD-1<br>PG/M 螺纹-1 | TYPE<br>类型    |
|-------------------|--|----------------------------|----------------------------|----------------------------|---------------|
| T1922160225-009   | H16BPR-TGHC-2M25-EMC-C<br>H16BPR HOOD, CENTER LOCKING, TOP ENTRY 2M25, BLACK<br>H16BPR上壳, 中部锁定, 顶出2M25, 黑色         | M25                        | M25                        | -                          | TYPE 2<br>类型2 |
| T1922162150-009   | H16BPR-TGHC-M50-EMC-C<br>H16BPR HOOD, CENTER LOCKING, TOP ENTRY M50, GREY<br>H16BPR上壳, 中部锁定, 顶出M50, 灰色             | -                          | -                          | M50                        | TYPE 1<br>类型1 |
| T1922161140-009   | H16BPR-TGHC-M40-EMC-C<br>H16BPR HOOD, CENTER LOCKING, TOP ENTRY M40, SILVER WHITE<br>H16BPR上壳, 中部锁定, 顶出M40, 银白色    | -                          | -                          | M40                        |               |
| T1922161136-009   | H16BPR-TGHC-PG36-EMC-C<br>H16BPR HOOD, CENTER LOCKING, TOP ENTRY PG36, SILVER WHITE<br>H16BPR上壳, 中部锁定, 顶出PG36, 银白色 | -                          | -                          | PG36                       |               |
| T1922161132-009   | H16BPR-TGHC-M32-EMC-C<br>H16BPR HOOD, CENTER LOCKING, TOP ENTRY M32, SILVER WHITE<br>H16BPR上壳, 中部锁定, 顶出M32, 银白色    | -                          | -                          | M32                        |               |
| T1922161129-009   | H16BPR-TGHC-PG29-EMC-C<br>H16BPR HOOD, CENTER LOCKING, TOP ENTRY PG29, SILVER WHITE<br>H16BPR上壳, 中部锁定, 顶出PG29, 银白色 | -                          | -                          | PG29                       |               |
| T1922161125-009   | H16BPR-TGHC-M25-EMC-C<br>H16BPR HOOD, CENTER LOCKING, TOP ENTRY M25, SILVER WHITE<br>H16BPR上壳, 中部锁定, 顶出M25, 银白色    | -                          | -                          | M25                        |               |
| T1922161121-009   | H16BPR-TGHC-PG21-EMC-C<br>H16BPR HOOD, CENTER LOCKING, TOP ENTRY PG21, SILVER WHITE<br>H16BPR上壳, 中部锁定, 顶出PG21, 银白色 | -                          | -                          | PG21                       |               |
| T1922160140-009   | H16BPR-TGHC-M40-EMC-C<br>H16BPR HOOD, CENTER LOCKING, TOP ENTRY M40, BLACK<br>H16BPR上壳, 中部锁定, 顶出M40, 黑色            | -                          | -                          | M40                        |               |
| T1922160136-009   | H16BPR-TGHC-PG36-EMC-C<br>H16BPR HOOD, CENTER LOCKING, TOP ENTRY PG36, BLACK<br>H16BPR上壳, 中部锁定, 顶出PG36, 黑色         | -                          | -                          | PG36                       |               |
| T1922160132-009   | H16BPR-TGHC-M32-EMC-C<br>H16BPR HOOD, CENTER LOCKING, TOP ENTRY M32, BLACK<br>H16BPR上壳, 中部锁定, 顶出M32, 黑色            | -                          | -                          | M32                        |               |
| T1922160129-009   | H16BPR-TGHC-PG29-EMC-C<br>H16BPR HOOD, CENTER LOCKING, TOP ENTRY PG29, BLACK<br>H16BPR上壳, 中部锁定, 顶出PG29, 黑色         | -                          | -                          | PG29                       |               |
| T1922160125-009   | H16BPR-TGHC-M25-EMC-C<br>H16BPR HOOD, CENTER LOCKING, TOP ENTRY M25, BLACK<br>H16BPR上壳, 中部锁定, 顶出M25, 黑色            | -                          | -                          | M25                        |               |
| T1922160121-009   | H16BPR-TGHC-PG21-EMC-C<br>H16BPR HOOD, CENTER LOCKING, TOP ENTRY PG21, BLACK<br>H16BPR上壳, 中部锁定, 顶出PG21, 黑色         | -                          | -                          | PG21                       |               |

THIS DRAWING IS A CONTROLLED DOCUMENT.

|                                |   |
|--------------------------------|---|
| DWN<br>DAVID WANG<br>08OCT2016 |  |
| CHK<br>CHRIS WANG<br>08OCT2016 |   |
| APVD<br>XIANG XU<br>08OCT2016  |   |
| NAME<br>H16BPR-TGHC-PG/M-EMC-C |   |
| PRODUCT SPEC<br>108-137191     | RESTRICTED TO<br>-  |
| APPLICATION SPEC<br>114-137191 | SIZE<br>A2  |
| WEIGHT<br>-                    | CAGE CODE<br>-  |
| Customer Drawing               | DRAWING NO<br>T192216XXXXX09  |
|                                | SCALE<br>1:1  |
|                                | SHEET<br>2 OF 2   |
|                                | REV<br>B  |