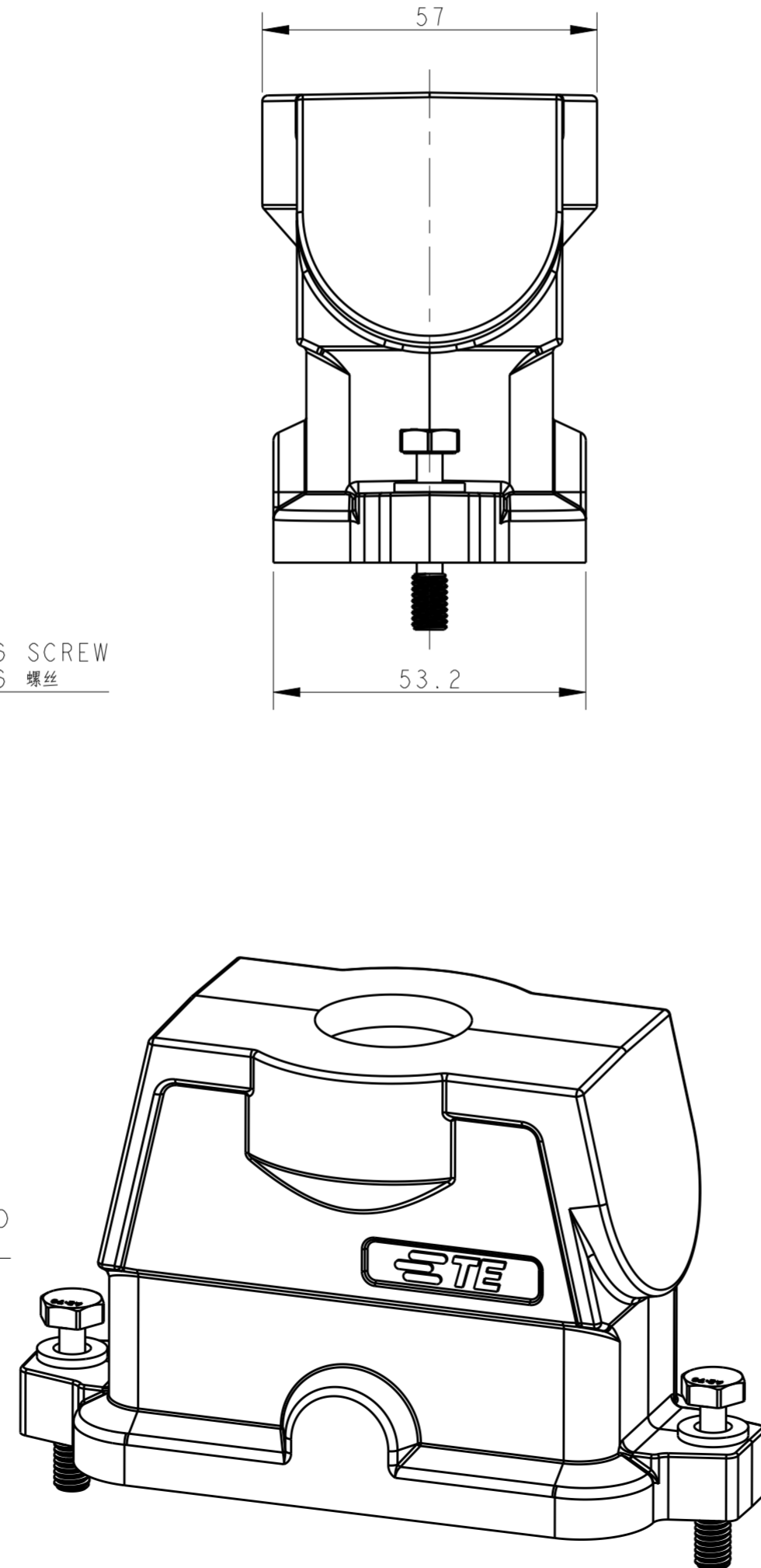
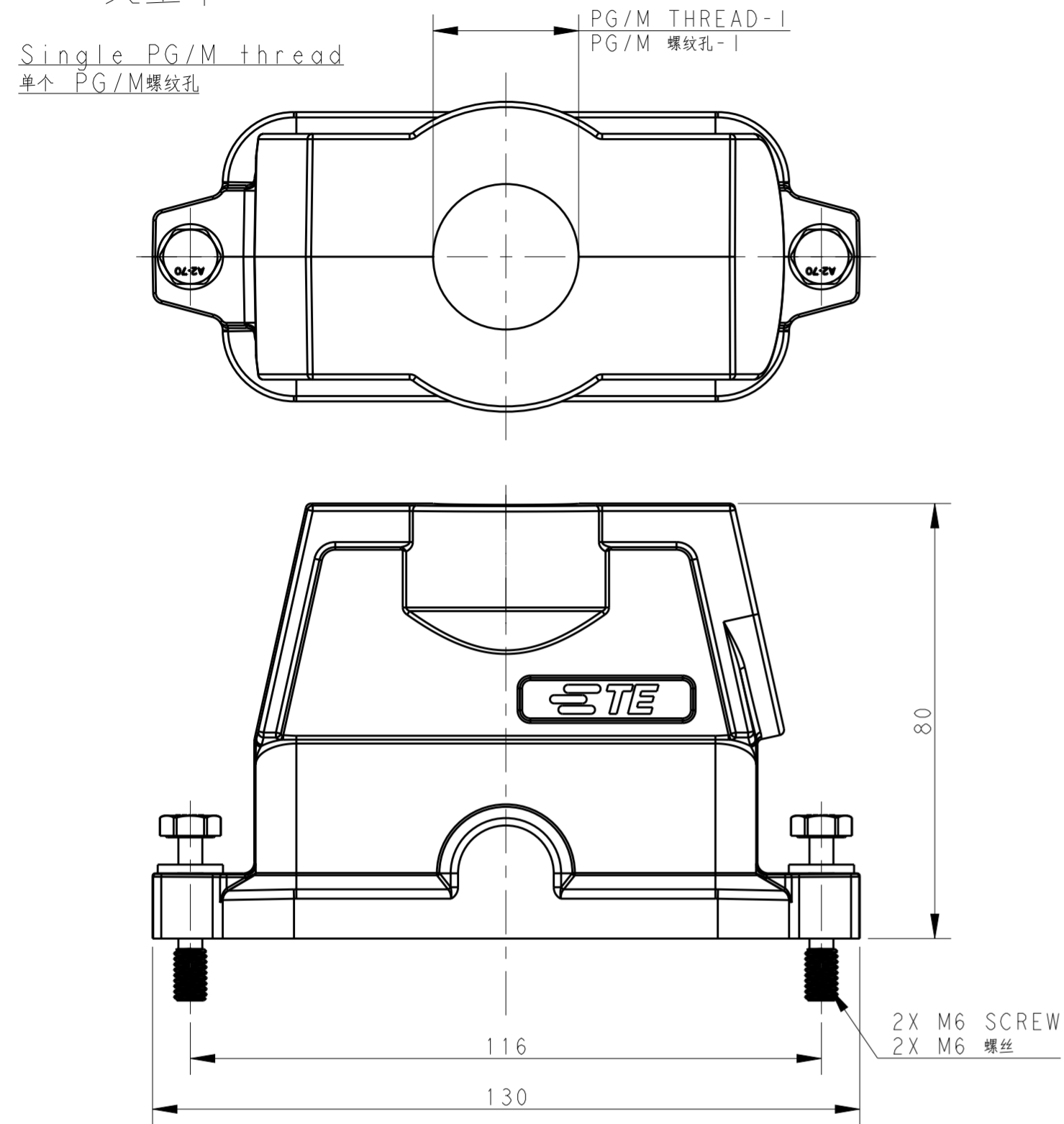
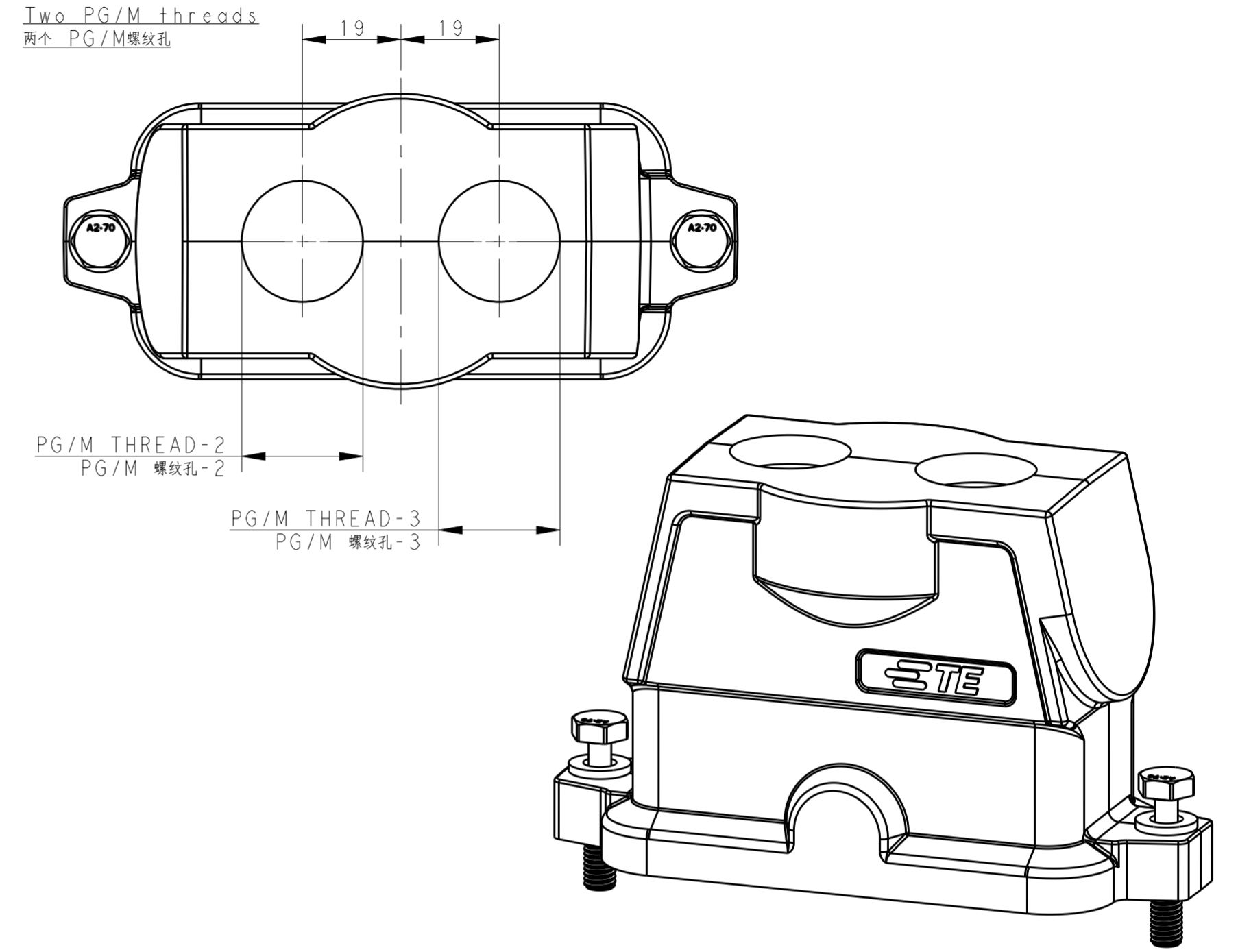


TYPE 1
 类型 I



TYPE 2
 类型 2



All dimension is same as TYPE 1, except those defined in this TYPE
 除了在本类型中定义的尺寸外, 其他尺寸同类型 I

NOTES:
 1. TECHNICAL CHARACTERISTICS:
 HOOD MATERIAL: DIE CAST ALUMINIUM ALLOY
 SURFACE: SEE TABLE
 DEGREE OF PROTECTION: IP68 (MATED)

注释
 1. 技术参数:
 壳体材料: 铝合金
 表面处理: 见表格
 防护等级: IP68 (配合)

| REVISIONS | | | | |
|-----------|-----|-----------------|-----------|-------|
| P | LTR | DESCRIPTION | DATE | APVD |
| A | | INITIAL RELEASE | 08OCT2016 | DW CW |
| A1 | | ECR-17-018159 | 13DEC2017 | RL CW |
| B | | ECR-19-009256 | 23FEB2019 | CD CW |

| | | | | |
|--|--|-----------------------------|------------------------------|--|
| THIS DRAWING IS A CONTROLLED DOCUMENT. | | DWN DAVID WANG 08OCT2016 | STE TE Connectivity | |
| | | CHK CHRIS WANG 08OCT2016 | | |
| | | APVD XIANG XU 08OCT2016 | NAME H16BPR-TGHC-PG/M-EMC-C | |
| DIMENSIONS: mm | | PRODUCT SPEC 108-137191 | SIZE A2 | |
| TOLERANCES UNLESS OTHERWISE SPECIFIED: | | APPLICATION SPEC 114-137191 | CAGE CODE - | |
| 0 PLC ± | | WEIGHT - | DRAWING NO. C-T192216XXXXX09 | |
| 1 PLC ± | | RESTRICTED TO - | | |
| 2 PLC ± | | SCALE 1:1 | | |
| 3 PLC ± | | SHEET 1 OF 2 | | |
| 4 PLC ± | | REV B | | |
| ANGLES ± | | Customer Drawing | | |
| FINISH - | | | | |

THIS DRAWING IS UNPUBLISHED. RELEASED FOR PUBLICATION 20
 © COPYRIGHT 20 BY - ALL RIGHTS RESERVED.

| REVISIONS | | | | |
|-----------|-----|-------------|------|------|
| P | LTR | DESCRIPTION | DATE | APVD |
| - | | SEE SHEET 1 | - | - |
| | | | | |
| | | | | |

NOTES:
 SEE SHEET 1
 备注:
 见 SHEET 1

| PART NUMBER 料号 | DESCRIPTION 描述 | PG/M THREAD-3 PG/M 螺纹-3 | PG/M THREAD-2 PG/M 螺纹-2 | PG/M THREAD-1 PG/M 螺纹-1 | TYPE 类型 |
|-------------------|--|----------------------------|----------------------------|----------------------------|---------------|
| T1922160225-009 | H16BPR-TGHC-2M25-EMC-C H16BPR HOOD, CENTER LOCKING, TOP ENTRY 2M25, BLACK H16BPR上壳, 中部锁定, 顶出2M25, 黑色 | M25 | M25 | - | TYPE 2 类型2 |
| T1922162150-009 | H16BPR-TGHC-M50-EMC-C H16BPR HOOD, CENTER LOCKING, TOP ENTRY M50, GREY H16BPR上壳, 中部锁定, 顶出M50, 灰色 | - | - | M50 | TYPE 1 类型1 |
| T1922161140-009 | H16BPR-TGHC-M40-EMC-C H16BPR HOOD, CENTER LOCKING, TOP ENTRY M40, SILVER WHITE H16BPR上壳, 中部锁定, 顶出M40, 银白色 | - | - | M40 | |
| T1922161136-009 | H16BPR-TGHC-PG36-EMC-C H16BPR HOOD, CENTER LOCKING, TOP ENTRY PG36, SILVER WHITE H16BPR上壳, 中部锁定, 顶出PG36, 银白色 | - | - | PG36 | |
| T1922161132-009 | H16BPR-TGHC-M32-EMC-C H16BPR HOOD, CENTER LOCKING, TOP ENTRY M32, SILVER WHITE H16BPR上壳, 中部锁定, 顶出M32, 银白色 | - | - | M32 | |
| T1922161129-009 | H16BPR-TGHC-PG29-EMC-C H16BPR HOOD, CENTER LOCKING, TOP ENTRY PG29, SILVER WHITE H16BPR上壳, 中部锁定, 顶出PG29, 银白色 | - | - | PG29 | |
| T1922161125-009 | H16BPR-TGHC-M25-EMC-C H16BPR HOOD, CENTER LOCKING, TOP ENTRY M25, SILVER WHITE H16BPR上壳, 中部锁定, 顶出M25, 银白色 | - | - | M25 | |
| T1922161121-009 | H16BPR-TGHC-PG21-EMC-C H16BPR HOOD, CENTER LOCKING, TOP ENTRY PG21, SILVER WHITE H16BPR上壳, 中部锁定, 顶出PG21, 银白色 | - | - | PG21 | |
| T1922160140-009 | H16BPR-TGHC-M40-EMC-C H16BPR HOOD, CENTER LOCKING, TOP ENTRY M40, BLACK H16BPR上壳, 中部锁定, 顶出M40, 黑色 | - | - | M40 | |
| T1922160136-009 | H16BPR-TGHC-PG36-EMC-C H16BPR HOOD, CENTER LOCKING, TOP ENTRY PG36, BLACK H16BPR上壳, 中部锁定, 顶出PG36, 黑色 | - | - | PG36 | |
| T1922160132-009 | H16BPR-TGHC-M32-EMC-C H16BPR HOOD, CENTER LOCKING, TOP ENTRY M32, BLACK H16BPR上壳, 中部锁定, 顶出M32, 黑色 | - | - | M32 | |
| T1922160129-009 | H16BPR-TGHC-PG29-EMC-C H16BPR HOOD, CENTER LOCKING, TOP ENTRY PG29, BLACK H16BPR上壳, 中部锁定, 顶出PG29, 黑色 | - | - | PG29 | |
| T1922160125-009 | H16BPR-TGHC-M25-EMC-C H16BPR HOOD, CENTER LOCKING, TOP ENTRY M25, BLACK H16BPR上壳, 中部锁定, 顶出M25, 黑色 | - | - | M25 | |
| T1922160121-009 | H16BPR-TGHC-PG21-EMC-C H16BPR HOOD, CENTER LOCKING, TOP ENTRY PG21, BLACK H16BPR上壳, 中部锁定, 顶出PG21, 黑色 | - | - | PG21 | |

| | | | | |
|--|--|-----------------------------|------------------------------|--------------|
| THIS DRAWING IS A CONTROLLED DOCUMENT. | | DWN 08OCT2016 DAVID WANG | STE TE Connectivity | |
| | | CHK 08OCT2016 CHRIS WANG | | |
| | | APVD 08OCT2016 XIANG XU | NAME H16BPR-TGHC-PG/M-EMC-C | |
| DIMENSIONS: mm | | PRODUCT SPEC 108-137191 | RESTRICTED TO | |
| TOLERANCES UNLESS OTHERWISE SPECIFIED: | | APPLICATION SPEC 114-137191 | SIZE A2 | CAGE CODE - |
| MATERIAL - | | WEIGHT - | DRAWING NO. C-T192216XXXXX09 | |
| | | Customer Drawing | SCALE 1:1 | SHEET 2 OF 2 |