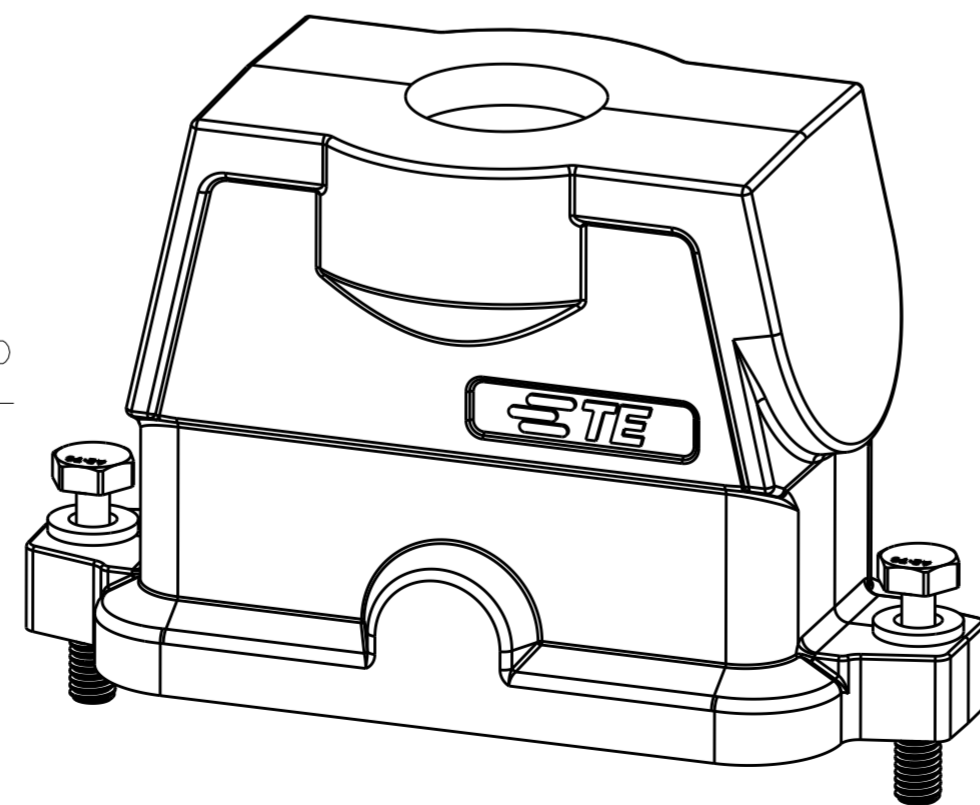
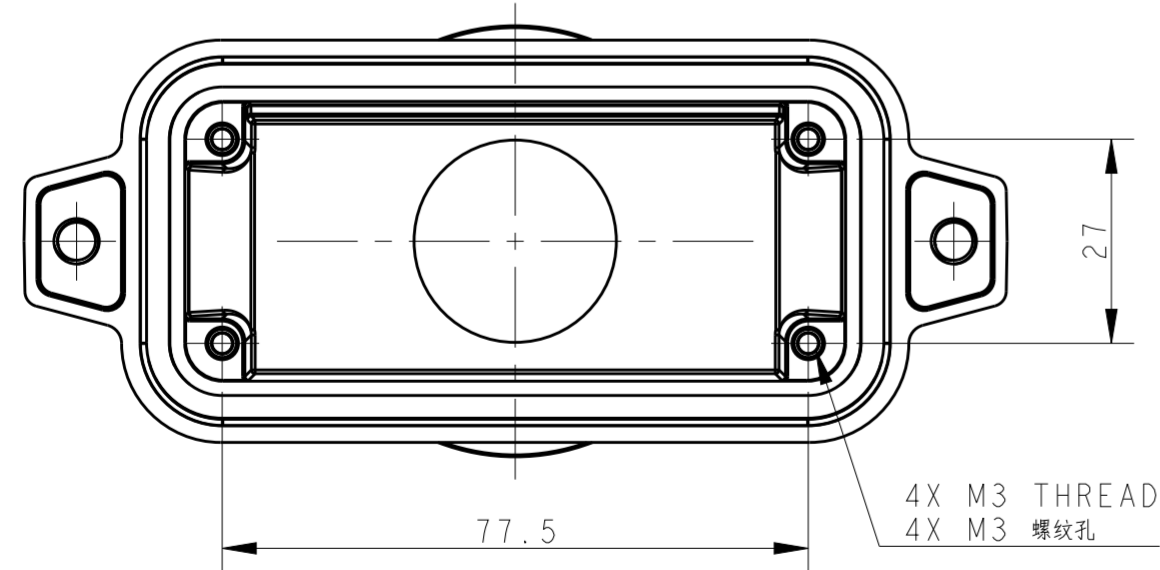
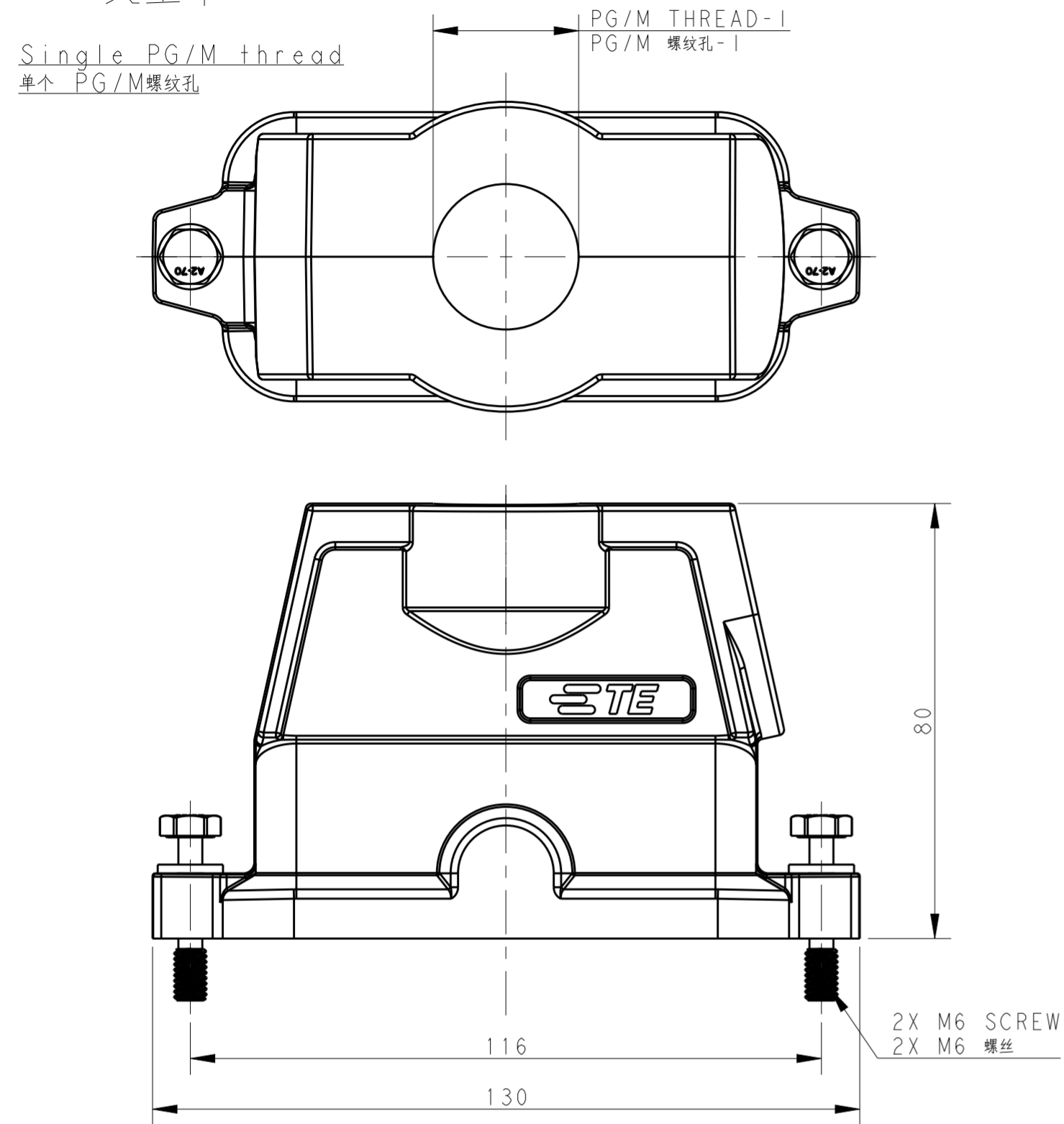
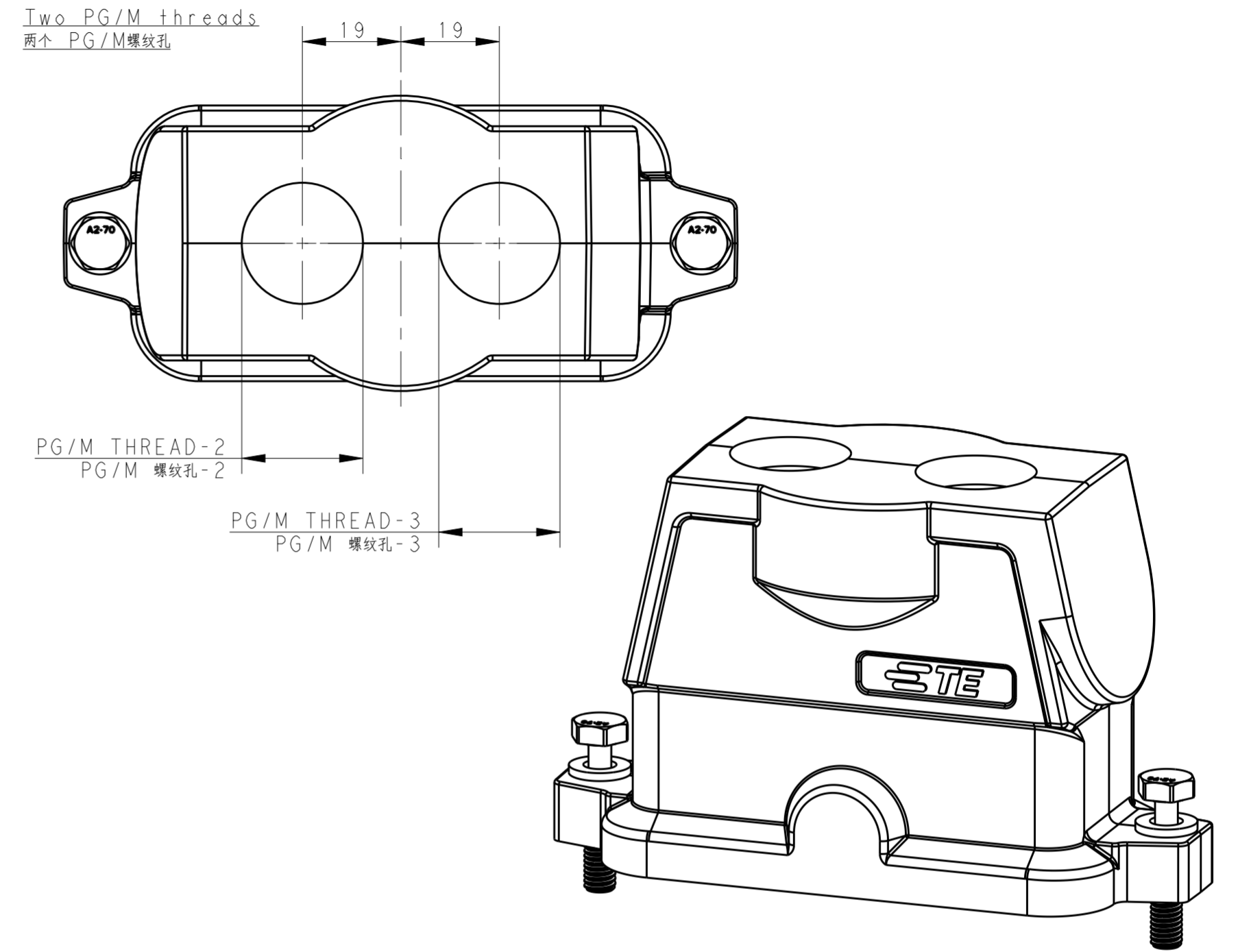


TYPE 1  
 类型 1



TYPE 2  
 类型 2

REVISIONS				
P	LTR	DESCRIPTION	DATE	APVD
A		INITIAL RELEASE	08OCT2016	DW CW
A1		ECR-17-018159	13DEC2017	RL CW
B		ECR-19-009256	23FEB2019	CD CW



All dimension is same as TYPE 1, except those defined in this TYPE  
 除了在本类型中定义的尺寸外, 其他尺寸同类型 1

NOTES:  
 1. TECHNICAL CHARACTERISTICS:  
 HOOD MATERIAL: DIE CAST ALUMINIUM ALLOY  
 SURFACE: SEE TABLE  
 DEGREE OF PROTECTION: IP68 (MATED)

注释  
 1. 技术参数:  
 壳体材料: 铝合金  
 表面处理: 见表格  
 防护等级: IP68 (配合)

THIS DRAWING IS A CONTROLLED DOCUMENT.		DWN 08OCT2016 DAVID WANG	<b>STE</b> TE Connectivity	
		CHK 08OCT2016 CHRIS WANG		
		APVD 08OCT2016 XIANG XU	NAME H16BPR-TGHC-PG/M-EMC-C	
DIMENSIONS: mm		PRODUCT SPEC 108-137191	SIZE A2	CAGE CODE -
TOLERANCES UNLESS OTHERWISE SPECIFIED: 0 PLC ± 1 PLC ± 2 PLC ± 3 PLC ± 4 PLC ± ANGLES ± FINISH		APPLICATION SPEC 114-137191	DRAWING NO G-T192216XXXXX09	RESTRICTED TO -
MATERIAL -		WEIGHT -	SCALE 1:1	SHEET 1 OF 2 REV B
		Customer Drawing		


THIS DRAWING IS UNPUBLISHED. RELEASED FOR PUBLICATION 20  
 © COPYRIGHT 20 BY - ALL RIGHTS RESERVED.

REVISIONS				
P	LTR	DESCRIPTION	DATE	APVD
-		SEE SHEET 1	-	-

NOTES:  
 SEE SHEET 1  
 备注:  
 见 SHEET 1

PART NUMBER 料号	DESCRIPTION 描述	PG/M THREAD-3 PG/M 螺纹-3	PG/M THREAD-2 PG/M 螺纹-2	PG/M THREAD-1 PG/M 螺纹-1	TYPE 类型
T1922160225-009	H16BPR-TGHC-2M25-EMC-C H16BPR HOOD, CENTER LOCKING, TOP ENTRY 2M25, BLACK H16BPR上壳, 中部锁定, 顶出2M25, 黑色	M25	M25	-	TYPE 2 类型2
T1922162150-009	H16BPR-TGHC-M50-EMC-C H16BPR HOOD, CENTER LOCKING, TOP ENTRY M50, GREY H16BPR上壳, 中部锁定, 顶出M50, 灰色	-	-	M50	TYPE 1 类型1
T1922161140-009	H16BPR-TGHC-M40-EMC-C H16BPR HOOD, CENTER LOCKING, TOP ENTRY M40, SILVER WHITE H16BPR上壳, 中部锁定, 顶出M40, 银白色	-	-	M40	
T1922161136-009	H16BPR-TGHC-PG36-EMC-C H16BPR HOOD, CENTER LOCKING, TOP ENTRY PG36, SILVER WHITE H16BPR上壳, 中部锁定, 顶出PG36, 银白色	-	-	PG36	
T1922161132-009	H16BPR-TGHC-M32-EMC-C H16BPR HOOD, CENTER LOCKING, TOP ENTRY M32, SILVER WHITE H16BPR上壳, 中部锁定, 顶出M32, 银白色	-	-	M32	
T1922161129-009	H16BPR-TGHC-PG29-EMC-C H16BPR HOOD, CENTER LOCKING, TOP ENTRY PG29, SILVER WHITE H16BPR上壳, 中部锁定, 顶出PG29, 银白色	-	-	PG29	
T1922161125-009	H16BPR-TGHC-M25-EMC-C H16BPR HOOD, CENTER LOCKING, TOP ENTRY M25, SILVER WHITE H16BPR上壳, 中部锁定, 顶出M25, 银白色	-	-	M25	
T1922161121-009	H16BPR-TGHC-PG21-EMC-C H16BPR HOOD, CENTER LOCKING, TOP ENTRY PG21, SILVER WHITE H16BPR上壳, 中部锁定, 顶出PG21, 银白色	-	-	PG21	
T1922160140-009	H16BPR-TGHC-M40-EMC-C H16BPR HOOD, CENTER LOCKING, TOP ENTRY M40, BLACK H16BPR上壳, 中部锁定, 顶出M40, 黑色	-	-	M40	
T1922160136-009	H16BPR-TGHC-PG36-EMC-C H16BPR HOOD, CENTER LOCKING, TOP ENTRY PG36, BLACK H16BPR上壳, 中部锁定, 顶出PG36, 黑色	-	-	PG36	
T1922160132-009	H16BPR-TGHC-M32-EMC-C H16BPR HOOD, CENTER LOCKING, TOP ENTRY M32, BLACK H16BPR上壳, 中部锁定, 顶出M32, 黑色	-	-	M32	
T1922160129-009	H16BPR-TGHC-PG29-EMC-C H16BPR HOOD, CENTER LOCKING, TOP ENTRY PG29, BLACK H16BPR上壳, 中部锁定, 顶出PG29, 黑色	-	-	PG29	
T1922160125-009	H16BPR-TGHC-M25-EMC-C H16BPR HOOD, CENTER LOCKING, TOP ENTRY M25, BLACK H16BPR上壳, 中部锁定, 顶出M25, 黑色	-	-	M25	
T1922160121-009	H16BPR-TGHC-PG21-EMC-C H16BPR HOOD, CENTER LOCKING, TOP ENTRY PG21, BLACK H16BPR上壳, 中部锁定, 顶出PG21, 黑色	-	-	PG21	

THIS DRAWING IS A CONTROLLED DOCUMENT.

DWN DAVID WANG 08OCT2016	
CHK CHRIS WANG 08OCT2016	
APVD XIANG XU 08OCT2016	
NAME H16BPR-TGHC-PG/M-EMC-C	
PRODUCT SPEC 108-137191	SIZE A2
APPLICATION SPEC 114-137191	CAGE CODE -
WEIGHT -	DRAWING NO G-T192216XXXXX09
Customer Drawing	RESTRICTED TO -
SCALE 1:1	SHEET 2 OF 2
	REV B

A

A

B

B

C

C

D

D