

Overview

KEMET's VE series of high temperature, low voltage varistors are designed to protect sensitive electronic devices against high voltage surges in the low voltage region. In addition to superior operating performance at rated 150°C (AEC-Q200 compliance) they offer excellent transient energy absorption due to improved energy volume distribution and power dissipation.

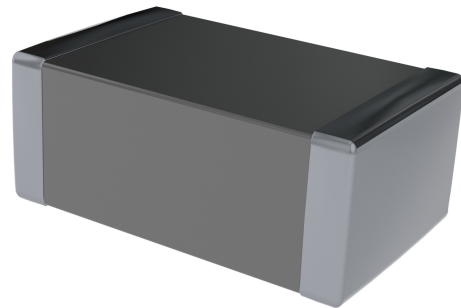
Applications

Typical applications include transient over-voltage protection in automotive assembly motors and controllers as well as surge protection of non-automotive electronic products exposed to over-heating, i.e., consumer, telecommunication or industrial.

Load dump and jump start protection of 12 to 24 V supply systems. Protection of integrated circuits and other components at the circuit board level including the suppression of inductive switching or other transient events such as surge voltage. ESD protection for components sensitive to IEC 1000-4-2, MILSTD 883C Method 3015.7 and other industry spec. Replacement of larger surface mount TVS Zeners in many applications. Designed to achieve electromagnetic compliance of end products and provide on-board transient voltage protection of ICs and transistors.

Benefits

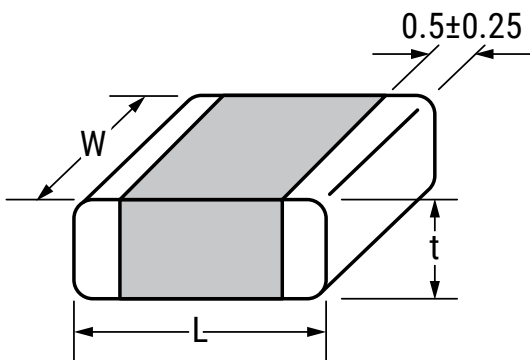
- AEC-Q200 qualified Grade 1
- Surface mount form factor
- Operating ambient temperature of -55°C to +150°C
- Superior operating performance rated at 150°C (AEC-Q200 compliance)
- Operating voltage range of 11 – 170 V
- AC voltage range (V_{rms}) of 8 – 130 V
- High resistance to cyclic temperature stress
- Low leakage currents after 1,000 hours rated at 150°C
- High energy absorption capability
- Available case sizes: 0603, 0805, 1206, 1210, 1812, 2220
- Short response time
- Broad range of current and energy handling capabilities
- Low clamping voltage – U_c
- Non-sensitive to mildly activated fluxes
- Barrier type end terminations solderable with Pb-free solders according to JEDEC J-STD-020C and IEC 60068-2-58
- RoHS 2 2011/65/EC, REACH compliant



Ordering Information

| VE | 0603 | M | 300 | R | 002 |
|---|--|----------------------------------|--|---|---|
| Series | Chip Size Code | Tolerances | Rated Peak Single Pulse Transient Current (A) | Packaging/Termination | Maximum Continuous Working Voltage (Vrms AC) |
| Varistor SMD High Temperature 150°C Low Voltage Multilayer Chip | 0603 = 0603 0805 = 0805 1206 = 1206 1210 = 1210 1812 = 1812 2220 = 2220 | K = ±10% L = ±15% M = ±20% | 300 = 30 101 = 100 121 = 120 151 = 150 201 = 200 251 = 250 301 = 300 401 = 400 501 = 500 601 = 600 801 = 800 102 = 1,000 122 = 1,200 (First two digits represent significant figures. Third digit specifies number of zeros.) | R = Reel 180 mm/Ni Sn Barrier Terminations | 008 = 8 011 = 11 014 = 14 017 = 17 020 = 20 025 = 25 030 = 30 035 = 35 040 = 40 050 = 50 060 = 60 075 = 75 095 = 95 115 = 115 130 = 130 |

Dimensions – Millimeters



| Size Code | L | W | t _{max} |
|-----------|----------|-----------|------------------|
| 0603 | 1.6±0.20 | 0.80±0.10 | 0.95 |
| 0805 | 2.0±0.25 | 1.25±0.20 | 0.80 |
| 1206 | 3.2±0.30 | 1.60±0.20 | 0.85 |
| 1210 | 3.2±0.30 | 2.50±0.25 | 0.85 |
| 1812 | 4.7±0.40 | 3.20±0.30 | 1.25 |
| 2220 | 5.7±0.50 | 5.00±0.40 | 1.25 |

Environmental Compliance

RoHS 2 2011/65/EC, REACH

Performance Characteristics

| Continuous | Units | Value |
|--|-------|-------------|
| Steady State Applied Voltage | | |
| DC Voltage Range (V_{dc}) | V | 11 – 170 |
| AC Voltage Range (V_{rms}) | V | 8 – 130 |
| Transient | | |
| Peak Single Pulse Surge Current, 8/20 μ s Waveform (I_{max}) | A | 30 – 1,200 |
| Single Pulse Surge Energy, 10/1,000 μ s Waveform (W_{max}) | J | 0.1 – 12.2 |
| Operating Ambient Temperature | °C | -55 to +150 |
| Storage Temperature Range (mounted components) | °C | -55 to +150 |
| Threshold Voltage Temperature Coefficient | %/°C | < +0.05 |
| Response Time | ns | < 2 |
| Climatic Category | | 55/150/56 |

Qualifications

| Reliability Parameter | Test | Tested According to | Condition to be Satisfied after Testing |
|--------------------------|----------------------------|---|--|
| AC/DC Bias Reliability | AC/DC Life Test | CECC 42200, Test 4.20 or IEC 1051-1, Test 4.20. AEC-Q200 Test 8 – 1,000 hours at UCT | $ \delta_{Vn} (1 \text{ mA}) < 10\%$ |
| Pulse Current Capability | I_{max} 8/20 μ s | CECC 42200, Test C 2.1 or IEC 1051-1, Test 4.5. 10 pulses in the same direction at 2 pulses per minute at maximum peak current for 10 pulses | $ \delta_{Vn} (1 \text{ mA}) < 10\%$ no visible damage |
| Pulse Energy Capability | W_{max} 10/1,000 μ s | CECC 42200, Test C 2.1 or IEC 1051-1, Test 4.5. 10 pulses in the same direction at 1 pulses every 2 minutes at maximum peak current for 10 pulses | $ \delta_{Vn} (1 \text{ mA}) < 10\%$ no visible damage |
| WLD Capability | WLD x 10 | ISO 7637, Test pulse 5, 10 pulses at rate 1 per minute | $ \delta_{Vn} (1 \text{ mA}) < 15\%$ no visible damage |
| V_{jump} Capability | V_{jump} 5 minutes | Increase of supply voltage to $V \geq V_{jump}$ for 1 minute | $ \delta_{Vn} (1 \text{ mA}) < 15\%$ no visible damage |

Qualifications cont'd

| Reliability Parameter | Test | Tested According to | Condition to be Satisfied after Testing |
|---------------------------------------|---|---|--|
| Environmental and Storage Reliability | Climatic Sequence | CECC 42200, Test 4.16 or IEC 1051-1, Test 4.17. a) Dry heat, 16 hours, UCT, Test Ba, IEC 68-2-2 b) Damp heat, cyclic, the first cycle: 55°C, 93% RH, 24 hours, Test Db 68-2-4 c) Cold, LCT, 2 hours Test Aa IEC 68-2-1 d) Damp heat cyclic, remaining 5 cycles: 55°C, 93% RH, 24 hour/cycle, Test Bd, IEC 68-2-30 | $ \delta_{Vn} (1 \text{ mA}) < 10\%$ |
| | Thermal Shock | CECC 42200, Test 4.12, Test Na, IEC 68-2-14, AEC-Q200 Test 16, 5 cycles UCT/LCT, 30 minutes | $ \delta_{Vn} (1 \text{ mA}) < 10\%$ no visible damage |
| | Steady State Damp Heat | CECC 42200, Test 4.17, Test Ca, IEC 68-2-3, AEC-Q200 Test 6, 56 days, 40°C, 93% RH. AEC-Q200 Test 7: Bias, RH, T all at 85. | $ \delta_{Vn} (1 \text{ mA}) < 10\%$ |
| | Storage Test | IEC 68-2-2, Test Ba, AEC-Q200 Test 3, 1,000 hours at maximum storage temperature | $ \delta_{Vn} (1 \text{ mA}) < 5\%$ |
| Mechanical Reliability | Solderability | CECC 42200, Test 4.10.1, Test Ta IEC 68-2-20 solder bath and reflow method | Solderable at shipment and after 1 year of storage, criteria > 95% must be covered by solder for reflow meniscus |
| | Resistance to Soldering Heat | CECC 42200, Test 4.10.2, Test Tb, IEC 68-2-20 solder bath and reflow method | $ \delta_{Vn} (1 \text{ mA}) < 5\%$ |
| | Terminal Strength | JIS-C-6429, App. 1, 18 N for 60 seconds – same for AEC-Q200 Test 22 | no visual damage |
| | Board Flex | JIS-C-6429, App. 2, 2 mm minimum AEC-Q200 test 21 – Board flex: 2 mm flex minimum | $ \delta_{Vn} (1 \text{ mA}) < 2\%$ no visible damage |
| | Vibration | CECC 42200, Test 4.15, Test Fc, IEC 68-2-6, AEC-Q200 Test 14. Frequency range 10 – 55 Hz (AEC: 10 – 2,000 Hz) Amplitude 0.75 m/s ² or 98 m/s ² (AEC: 5 G for 20 minutes) Total duration 6 hours (3 x 2 hours) (AEC: 12 cycles each of 3 directions) Waveshape – half sine | $ \delta_{Vn} (1 \text{ mA}) < 10\%$ no visible damage |
| Mechanical Shock | CECC 42200, Test 4.14, Test Ea, IEC 68-2-27, AEC-Q200 Test 13. Acceleration = 490 m/s ² (AEC: MIL-STD-202-Method 213), Pulse duration = 11 ms, Waveshape – half sine; Number of shocks = 3 x 6 | $ \delta_{Vn} (1 \text{ mA}) < 10\%$ no visible damage | |
| Electrical Transient Conduction | ISO-7637-1 Pulses | AEC-Q200 Test 30: Test pulses 1 to 3. Also other pulses – freestyle. | $ \delta_{Vn} (1 \text{ mA}) < 10\%$ no visible damage |

Reliability

In general, reliability is the ability of a component to perform and maintain its functions in routine circumstances, as well as hostile or unexpected circumstances. The mean life of series components is a function of:

- Factor of Applied Voltage
- Ambient temperature

Mean life is closely related to Failure rate (formula).

Mean life (ML) is the arithmetic mean (average) time to failure of a component.

Failure rate is the frequency with which an engineered system or component fails, expressed for example in failures per hour. Failure rate is usually time dependent, an intuitive corollary is that the rate changes over time versus the expected life cycle of a system.

Failure rate formula – calculation

$$\Lambda = \frac{10^9}{ML[h]} \text{ [fit]}$$

FAV – Factor of Applied Voltage

$$\Lambda = \frac{V_{apl}}{V_{max}}$$

V_{apl} = applied voltage

V_{max} = maximum operating voltage

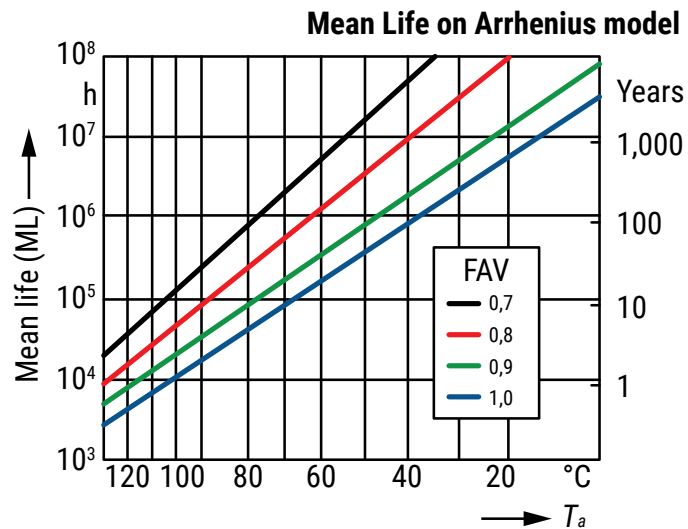


Table 1 – Ratings & Part Number Reference

| KEMET Part Number | L (mm) | W (mm) | t _{max} (mm) | V _{rms} | VDC | V _n 1 mA | V _c | I _c 8/20 μs (A) | W _{max} 10/1000 μs (J) | P _{max} (W) | I _{max} 8/20 μs (A) | C _{typ} at 1 kHz (pF) | L _{typ} 100mA/ns (nH) |
|-------------------|----------|-----------|-----------------------|--------------------|-------------------|-----------------------|------------------|----------------------------|---------------------------------|----------------------|------------------------------|--------------------------------|--------------------------------|
| VE0603L300R008 | 1.6±0.20 | 0.80±0.10 | 0.95 | 8 | 11 | 15 | 27 | 1 | 0.1 | 0.003 | 30 | 240 | 1.0 |
| VE0805L121R008 | 2.0±0.25 | 1.25±0.20 | 0.80 | 8 | 11 | 15 | 27 | 1 | 0.2 | 0.005 | 120 | 475 | 1.5 |
| VE1206L201R008 | 3.2±0.30 | 1.60±0.20 | 0.85 | 8 | 11 | 15 | 27 | 1 | 0.6 | 0.008 | 200 | 2,000 | 1.8 |
| VE1210L401R008 | 3.2±0.30 | 2.50±0.25 | 0.85 | 8 | 11 | 15 | 27 | 3 | 1.1 | 0.010 | 400 | 3,400 | 1.8 |
| VE1812L501R008 | 4.7±0.40 | 3.20±0.30 | 1.25 | 8 | 11 | 15 | 27 | 5 | 1.9 | 0.015 | 500 | 6,300 | 2.5 |
| VE2220L122R008 | 5.7±0.50 | 5.00±0.40 | 1.25 | 8 | 11 | 15 | 27 | 10 | 4.3 | 0.020 | 1,200 | 15,000 | 3.0 |
| VE0603K300R011 | 1.6±0.20 | 0.80±0.10 | 0.95 | 11 | 14 | 18 | 35 | 1 | 0.2 | 0.003 | 30 | 210 | 1.0 |
| VE0805K121R011 | 2.0±0.25 | 1.25±0.20 | 0.80 | 11 | 14 | 18 | 35 | 1 | 0.3 | 0.005 | 120 | 400 | 1.5 |
| VE1206K201R011 | 3.2±0.30 | 1.60±0.20 | 0.85 | 11 | 14 | 18 | 35 | 1 | 0.6 | 0.008 | 200 | 1,300 | 1.8 |
| VE1210K401R011 | 3.2±0.30 | 2.50±0.25 | 0.85 | 11 | 14 | 18 | 35 | 3 | 1.3 | 0.010 | 400 | 2,600 | 1.8 |
| VE1812K801R011 | 4.7±0.40 | 3.20±0.30 | 1.25 | 11 | 14 | 18 | 35 | 5 | 2.0 | 0.015 | 800 | 5,100 | 2.5 |
| VE2220K122R011 | 5.7±0.50 | 5.00±0.40 | 1.25 | 11 | 14 | 18 | 35 | 10 | 5.5 | 0.020 | 1,200 | 12,000 | 3.0 |
| VE0603K300R014 | 1.6±0.20 | 0.80±0.10 | 0.95 | 14 | 18 | 22 | 40 | 1 | 0.3 | 0.003 | 30 | 195 | 1.0 |
| VE0805K121R014 | 2.0±0.25 | 1.25±0.20 | 0.80 | 14 | 18 | 22 | 40 | 1 | 0.4 | 0.005 | 120 | 355 | 1.5 |
| VE1206K201R014 | 3.2±0.30 | 1.60±0.20 | 0.85 | 14 | 18 | 22 | 40 | 1 | 0.6 | 0.008 | 200 | 950 | 1.8 |
| VE1210K401R014 | 3.2±0.30 | 2.50±0.25 | 0.85 | 14 | 18 | 22 | 40 | 3 | 1.6 | 0.010 | 400 | 2,000 | 1.8 |
| VE1812K801R014 | 4.7±0.40 | 3.20±0.30 | 1.25 | 14 | 18 | 22 | 40 | 5 | 2.4 | 0.015 | 800 | 4,200 | 2.5 |
| VE2220K122R014 | 5.7±0.50 | 5.00±0.40 | 1.25 | 14 | 18 | 22 | 40 | 10 | 6.0 | 0.020 | 1,200 | 9,400 | 3.0 |
| VE0603K300R017 | 1.6±0.20 | 0.80±0.10 | 0.95 | 17 | 22 | 27 | 46 | 1 | 0.3 | 0.003 | 30 | 185 | 1.0 |
| VE0805K121R017 | 2.0±0.25 | 1.25±0.20 | 1.05 | 17 | 22 | 27 | 46 | 1 | 0.4 | 0.005 | 120 | 315 | 1.5 |
| VE1206K201R017 | 3.2±0.30 | 1.60±0.20 | 1.25 | 17 | 22 | 27 | 46 | 1 | 0.7 | 0.008 | 200 | 740 | 1.8 |
| VE1210K401R017 | 3.2±0.30 | 2.50±0.25 | 1.35 | 17 | 22 | 27 | 46 | 3 | 1.8 | 0.010 | 400 | 1,700 | 1.8 |
| VE1812K801R017 | 4.7±0.40 | 3.20±0.30 | 1.25 | 17 | 22 | 27 | 46 | 5 | 2.8 | 0.015 | 800 | 3,500 | 2.5 |
| VE2220K122R017 | 5.7±0.50 | 5.00±0.40 | 1.25 | 17 | 22 | 27 | 46 | 10 | 7.5 | 0.020 | 1,200 | 7,700 | 3.0 |
| VE0603K300R020 | 1.6±0.20 | 0.80±0.10 | 0.95 | 20 | 26 | 33 | 56 | 1 | 0.3 | 0.003 | 30 | 175 | 1.0 |
| VE0805K121R020 | 2.0±0.25 | 1.25±0.20 | 1.05 | 20 | 26 | 33 | 56 | 1 | 0.4 | 0.005 | 120 | 290 | 1.5 |
| VE1206K201R020 | 3.2±0.30 | 1.60±0.20 | 1.25 | 20 | 26 | 33 | 56 | 1 | 0.8 | 0.008 | 200 | 620 | 1.8 |
| VE1210K401R020 | 3.2±0.30 | 2.50±0.25 | 1.35 | 20 | 26 | 33 | 56 | 3 | 2.0 | 0.010 | 400 | 1,400 | 1.8 |
| VE1812K801R020 | 4.7±0.40 | 3.20±0.30 | 1.55 | 20 | 26 | 33 | 56 | 5 | 3.0 | 0.015 | 800 | 3,000 | 2.5 |
| VE2220K122R020 | 5.7±0.50 | 5.00±0.40 | 1.45 | 20 | 26 | 33 | 56 | 10 | 8.0 | 0.020 | 1,200 | 6,500 | 3.0 |
| VE0603K300R025 | 1.6±0.20 | 0.80±0.10 | 0.95 | 25 | 31 | 39 | 67 | 1 | 0.1 | 0.003 | 30 | 165 | 1.0 |
| VE0805K121R025 | 2.0±0.25 | 1.25±0.20 | 1.05 | 25 | 31 | 39 | 67 | 1 | 0.2 | 0.005 | 120 | 260 | 1.5 |
| VE1206K201R025 | 3.2±0.30 | 1.60±0.20 | 1.25 | 25 | 31 | 39 | 67 | 1 | 1.0 | 0.008 | 200 | 510 | 1.8 |
| VE1210K401R025 | 3.2±0.30 | 2.50±0.25 | 1.45 | 25 | 31 | 39 | 67 | 3 | 1.8 | 0.010 | 400 | 1,060 | 1.8 |
| VE1812K801R025 | 4.7±0.40 | 3.20±0.30 | 1.55 | 25 | 31 | 39 | 67 | 5 | 3.9 | 0.015 | 800 | 2,300 | 2.5 |
| VE2220K122R025 | 5.7±0.50 | 5.00±0.40 | 1.45 | 25 | 31 | 39 | 67 | 10 | 9.5 | 0.020 | 1,200 | 5,000 | 3.0 |
| VE0603K300R030 | 1.6±0.20 | 0.80±0.10 | 0.95 | 30 | 38 | 47 | 79 | 1 | 0.1 | 0.003 | 30 | 160 | 1.0 |
| VE0805K121R030 | 2.0±0.25 | 1.25±0.20 | 1.05 | 30 | 38 | 47 | 79 | 1 | 0.2 | 0.005 | 120 | 230 | 1.5 |
| VE1206K201R030 | 3.2±0.30 | 1.60±0.20 | 1.25 | 30 | 38 | 47 | 79 | 1 | 1.2 | 0.008 | 200 | 450 | 1.8 |
| VE1210K301R030 | 3.2±0.30 | 2.50±0.25 | 1.45 | 30 | 38 | 47 | 79 | 3 | 2.1 | 0.010 | 300 | 850 | 1.8 |
| VE1812K801R030 | 4.7±0.40 | 3.20±0.30 | 1.55 | 30 | 38 | 47 | 79 | 5 | 4.4 | 0.015 | 800 | 1,800 | 2.5 |
| VE2220K122R030 | 5.7±0.50 | 5.00±0.40 | 1.45 | 30 | 38 | 47 | 79 | 10 | 12.2 | 0.020 | 1,200 | 4,000 | 3.0 |
| VE1206K121R035 | 3.2±0.30 | 1.60±0.20 | 1.25 | 35 | 45 | 56 | 92 | 1 | 0.6 | 0.008 | 120 | 400 | 1.8 |
| VE1210K251R035 | 3.2±0.30 | 2.50±0.25 | 1.45 | 35 | 45 | 56 | 92 | 3 | 2.2 | 0.010 | 250 | 670 | 1.8 |
| VE1812K601R035 | 4.7±0.40 | 3.20±0.30 | 1.55 | 35 | 45 | 56 | 92 | 5 | 4.2 | 0.015 | 600 | 1,340 | 2.5 |
| VE2220K102R035 | 5.7±0.50 | 5.00±0.40 | 1.45 | 35 | 45 | 56 | 92 | 10 | 7.6 | 0.020 | 1,000 | 3,000 | 3.0 |
| VE1206K121R040 | 3.2±0.30 | 1.60±0.20 | 1.25 | 40 | 56 | 68 | 112 | 1 | 0.8 | 0.008 | 120 | 370 | 1.8 |
| VE1210K251R040 | 3.2±0.30 | 2.50±0.25 | 1.45 | 40 | 56 | 68 | 112 | 3 | 2.4 | 0.010 | 250 | 570 | 1.8 |
| KEMET Part Number | L mm | W mm | t _{max} mm | V _{rms} V | V _{dc} V | V _n 1 mA V | V _c V | I _c 8/20 μs A | W _{max} 10/1000 μs J | P _{max} W | I _{max} 8/20 μs A | C _{typ} @ 1 kHz pF | L _{typ} 100mA/ns nH |

Table 1 – Ratings & Part Number Reference (cont'd)

| KEMET Part Number | L (mm) | W (mm) | t _{max} (mm) | V _{rms} | VDC | V _n 1 mA | V _c | I _c 8/20 μs (A) | W _{max} 10/1000 μs (J) | P _{max} (W) | I _{max} 8/20 μs (A) | C _{typ} at 1 kHz (pF) | L _{typ} 100mA/ns (nH) |
|-------------------|----------|-----------|-----------------------|--------------------|-------------------|-----------------------|------------------|----------------------------|---------------------------------|----------------------|------------------------------|--------------------------------|--------------------------------|
| VE1812K601R040 | 4.7±0.40 | 3.20±0.30 | 1.55 | 40 | 56 | 68 | 112 | 5 | 4.8 | 0.015 | 600 | 1,000 | 2.5 |
| VE2220K102R040 | 5.7±0.50 | 5.00±0.40 | 1.45 | 40 | 56 | 68 | 112 | 10 | 9.2 | 0.020 | 1,000 | 2,200 | 3.0 |
| VE1206K121R050 | 3.2±0.30 | 1.60±0.20 | 1.65 | 50 | 65 | 82 | 137 | 1 | 0.8 | 0.008 | 120 | 340 | 1.8 |
| VE1210K251R050 | 3.2±0.30 | 2.50±0.25 | 1.75 | 50 | 65 | 82 | 137 | 3 | 1.7 | 0.010 | 250 | 470 | 1.8 |
| VE1812K401R050 | 4.7±0.40 | 3.20±0.30 | 1.85 | 50 | 65 | 82 | 137 | 5 | 4.8 | 0.015 | 400 | 710 | 2.5 |
| VE2220K801R050 | 5.7±0.50 | 5.00±0.40 | 1.85 | 50 | 65 | 82 | 137 | 10 | 5.8 | 0.020 | 800 | 1,500 | 3.0 |
| VE1206K121R060 | 3.2±0.30 | 1.60±0.20 | 1.65 | 60 | 85 | 100 | 167 | 1 | 0.9 | 0.008 | 120 | 330 | 1.8 |
| VE1210K251R060 | 3.2±0.30 | 2.50±0.25 | 1.75 | 60 | 85 | 100 | 167 | 3 | 2.2 | 0.010 | 250 | 390 | 1.8 |
| VE1812K401R060 | 4.7±0.40 | 3.20±0.30 | 1.85 | 60 | 85 | 100 | 167 | 5 | 5.8 | 0.015 | 400 | 580 | 2.5 |
| VE2220K801R060 | 5.7±0.50 | 5.00±0.40 | 1.85 | 60 | 85 | 100 | 167 | 10 | 6.2 | 0.020 | 800 | 1,000 | 3.0 |
| VE1812K401R075 | 4.7±0.40 | 3.20±0.30 | 1.90 | 75 | 100 | 120 | 202 | 5 | 5.8 | 0.015 | 400 | 440 | 2.5 |
| VE2220K801R075 | 5.7±0.50 | 5.00±0.40 | 1.90 | 75 | 100 | 120 | 202 | 10 | 6.2 | 0.020 | 800 | 700 | 3.0 |
| VE1812K301R095 | 4.7±0.40 | 3.20±0.30 | 1.90 | 95 | 125 | 150 | 252 | 5 | 5.2 | 0.015 | 300 | 340 | 2.5 |
| VE2220K501R095 | 5.7±0.50 | 5.00±0.40 | 1.90 | 95 | 125 | 150 | 252 | 10 | 7.4 | 0.020 | 500 | 600 | 3.0 |
| VE1812K301R115 | 4.7±0.40 | 3.20±0.30 | 1.90 | 115 | 150 | 180 | 302 | 5 | 5.2 | 0.015 | 300 | 310 | 2.5 |
| VE2220K501R115 | 5.7±0.50 | 5.00±0.40 | 1.90 | 115 | 150 | 180 | 302 | 10 | 7.4 | 0.020 | 500 | 560 | 3.0 |
| VE2220K501R130 | 5.7±0.50 | 5.00±0.40 | 1.90 | 130 | 170 | 205 | 342 | 10 | 7.4 | 0.020 | 500 | 500 | 3.0 |
| KEMET Part Number | L mm | W mm | t _{max} mm | V _{rms} V | V _{dc} V | V _n 1 mA V | V _c V | I _c 8/20 μs A | W _{max} 10/1000 μs J | P _{max} W | I _{max} 8/20 μs A | C _{typ} @ 1 kHz pF | L _{typ} 100mA/ns nH |

Soldering

Popular soldering techniques used for surface mounted components are Wave and Infrared Reflow processes. Both processes can be performed with Pb-containing or Pb-free solders. The termination option available for these soldering techniques is Barrier Type End Terminations.

| End Termination | Designation | Recommended and Suitable for | Component RoHS Compliant |
|------------------------------------|-------------|-------------------------------------|--------------------------|
| Ni Sn Barrier Type End Termination | Ni R1 | Pb-containing and Pb-free soldering | Yes |

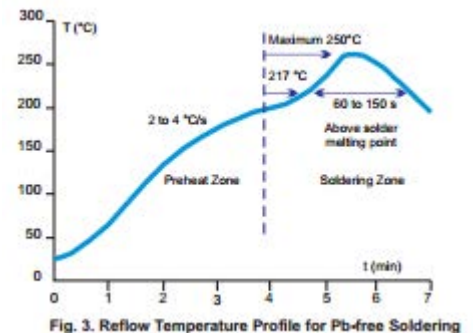
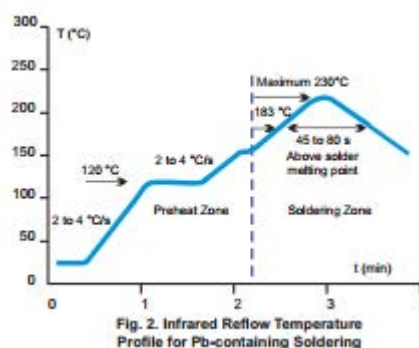
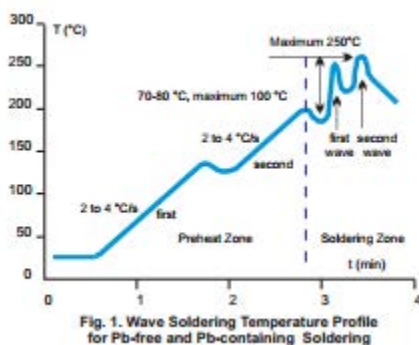
Wave Soldering – this process is generally associated with discrete components mounted on the underside of printed circuit boards, or for large top-side components with bottom-side mounting tabs to be attached, such as the frames of transformers, relays, connectors, etc. SMD varistors to be wave soldered are first glued to the circuit board, usually with an epoxy adhesive. When all components on the PCB have been positioned and an appropriate time is allowed for adhesive curing, the completed assembly is then placed on a conveyor and run through a single, double wave process.

Infrared Reflow Soldering – these reflow processes are typically associated with top-side component placement. This technique utilizes a mixture of adhesive and solder compounds (and sometimes fluxes) that are blended into a paste. The paste is then screened onto PCB soldering pads specifically designed to accept a particular sized SMD component. The recommended solder paste wet layer thickness is 100 to 300 µm. Once the circuit board is fully populated with MD components, it is placed in a reflow environment, where the paste is heated to slightly above its eutectic temperature. When the solder paste reflows, the SMD components are attached to the solder pads.

Solder Fluxes – solder fluxes are generally applied to populated circuit boards to clean oxides forming during the heating process and to facilitate the flowing of the solder. Solder fluxes can be either a part of the solder paste compound or can be separate materials, usually fluids. Recommended fluxes are:

- Non-activated (R) fluxes, whenever possible
- Mildly activated (RMA) fluxes of class L3CN
- Class ORLO

Activated (RA), water soluble or strong acidic fluxes with a chlorine content > 0.2 wt. % are NOT RECOMMENDED. The use of such fluxes could create high leakage current paths along the body of the varistor components. When a flux is applied prior to wave soldering, it is important to completely dry any residual flux solvents prior to the soldering process.



Thermal Shock – to avoid the possibility of generating stresses in the varistor chip due to thermal shock, a preheat stage to within 100°C of the peak soldering process temperature is recommended. Additionally, SMD varistors should not be subjected to a temperature gradient greater than 4°C/second, with an ideal gradient being 2°C/second. Peak temperatures should be controlled. Wave and Reflow soldering conditions for SMD varistors with Pb-containing solders are shown in Fig. 1 and 2 respectively, while Wave and Reflow soldering conditions for SMD varistors with Pb-free solders are shown in Figures 1 and 3

Soldering cont'd

Whenever several different types of SMD components are being soldered, each having a specific soldering profile, the soldering profile with the least heat and the minimum amount of heating time is recommended. Once soldering has been completed, it is necessary to minimize the possibility of thermal shock by allowing the hot PCB to cool to less than 50°C before cleaning.

Inspection Criteria – the inspection criteria to determine acceptable solder joints, when Wave or Infrared Reflow processes are used, will depend on several key variables, principally termination material process profiles.

Pb-containing Wave and IR Reflow Soldering – typical “before” and “after” soldering results for Barrier Type End Terminations can be seen in Fig. 4. Barrier type terminated varistors form a reliable electrical contact and metallurgical bond between the end terminations and the solder pads. The bond between these two metallic surfaces is exceptionally strong and has been tested by both vertical pull and lateral (horizontal) push tests. The results exceed established industry standards for adhesion.

The solder joint appearance of a barrier type terminated varistor shows that solder forms a metallurgical junction with the thin tin-alloy (over the barrier layer), and due to its small volume “climbs” the outer surface of the terminations, the meniscus will be slightly lower. This optical appearance should be taken into consideration when programming visual inspection of the PCB after soldering.

Ni Sn Barrier Type End Terminations

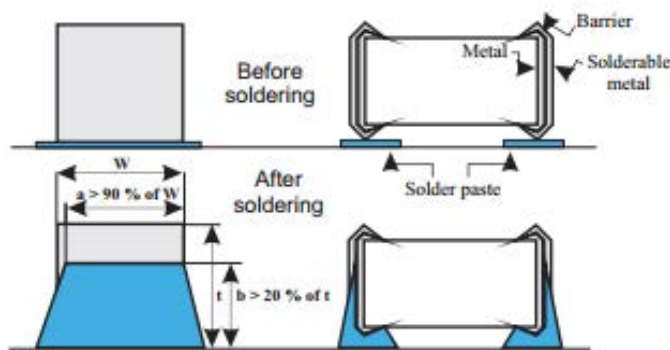


Figure 4: Soldering Criterion in case of Wave and IR Reflow Pb-containing Soldering

Pb-free Wave and IR Reflow Soldering – typical “before” and “after” soldering results for Barrier Type End Terminations are given in a phenomenon known as “mirror” or “negative” meniscus. Solder forms a metallurgical junction with the entire volume of the end termination, i.e. it diffuses from pad to end termination across the inner side, forming a “mirror” or “negative” meniscus. The height of the solder penetration can be clearly seen on the end termination and is always 30% higher than the chip height.

Soldering cont'd

Solder Test and Retained Samples – reflow soldering test based on J-STD-020D.1 and soldering test by dipping based on IEC 60068-2 for Pb-free solders are performed on each production lot as shown in the following chart. Test results and accompanying samples are retained for a minimum of two (2) years. The solderability of a specific lot can be checked at any time within this period should a customer require this information.

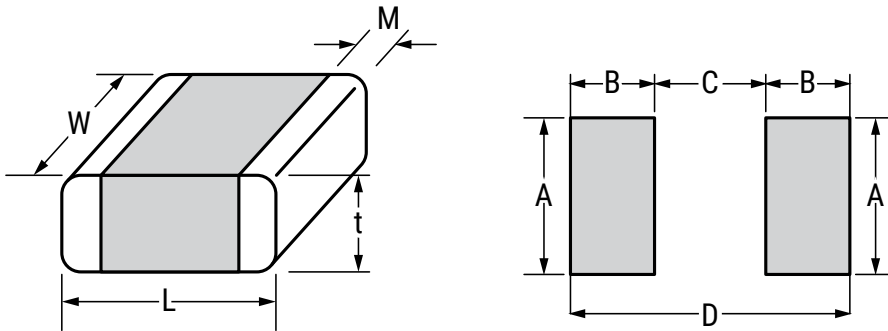
| Test | Resistance to Flux | Solderability | Static leaching (Simulation of Reflow Soldering) | Dynamic Leaching (Simulation of Wave Soldering) |
|------------------------------------|---|--|---|---|
| Parameter | | | | |
| Soldering method | Dipping | Dipping | Dipping | Dipping with agitation |
| Flux | L3CN, ORLO | L3CN, ORLO, R | L3CN, ORLO, R | L3CN, ORLO, R |
| Pb Solder | 62 Sn/36 Pb/2 Ag | | | |
| Pb Soldering temperature (°C) | 235±5 | 235±5 | 260±5 | 235±5 |
| Pb-FREE Solder | Sn96/Cu0,4-0,8/3-4Ag | | | |
| Pb-FREE Soldering Temperature (°C) | 250±5 | 250±5 | 280±5 | 250±5 |
| Soldering Time (s) | 2 | 210 | 10 | > 15 |
| Burn-in Conditions | VDC _{max} 48 h | | | |
| Acceptance Criterion | dVn < 5%, i _{dc} must stay unchanged | > 95% of end termination must be covered by solder | > 95% of end termination must be intact and covered by solder | > 95% of end termination must be intact and covered by solder |

Rework Criteria Soldering Iron – unless absolutely necessary, the use of soldering irons is NOT recommended for reworking varistor chips. If no other means of rework is available, the following criteria must be strictly followed:

- Do not allow the tip of the iron to directly contact the top of the chip
- Do not exceed the following soldering iron specifications:
 - Output Power: 30 Watts maximum
 - Temperature of Soldering Iron Tip: 280°C maximum
 - Soldering Time: 10 Seconds maximum

Storage Conditions – SMD varistors should be used within 1 year of shipment from factory to avoid possible soldering problems caused by oxidized terminals. The storage environment should be controlled, with humidity less than 40% and temperature between -25 and 45 °C. Varistor chips should always be stored in their original packaged unit.

Soldering Pad Configuration

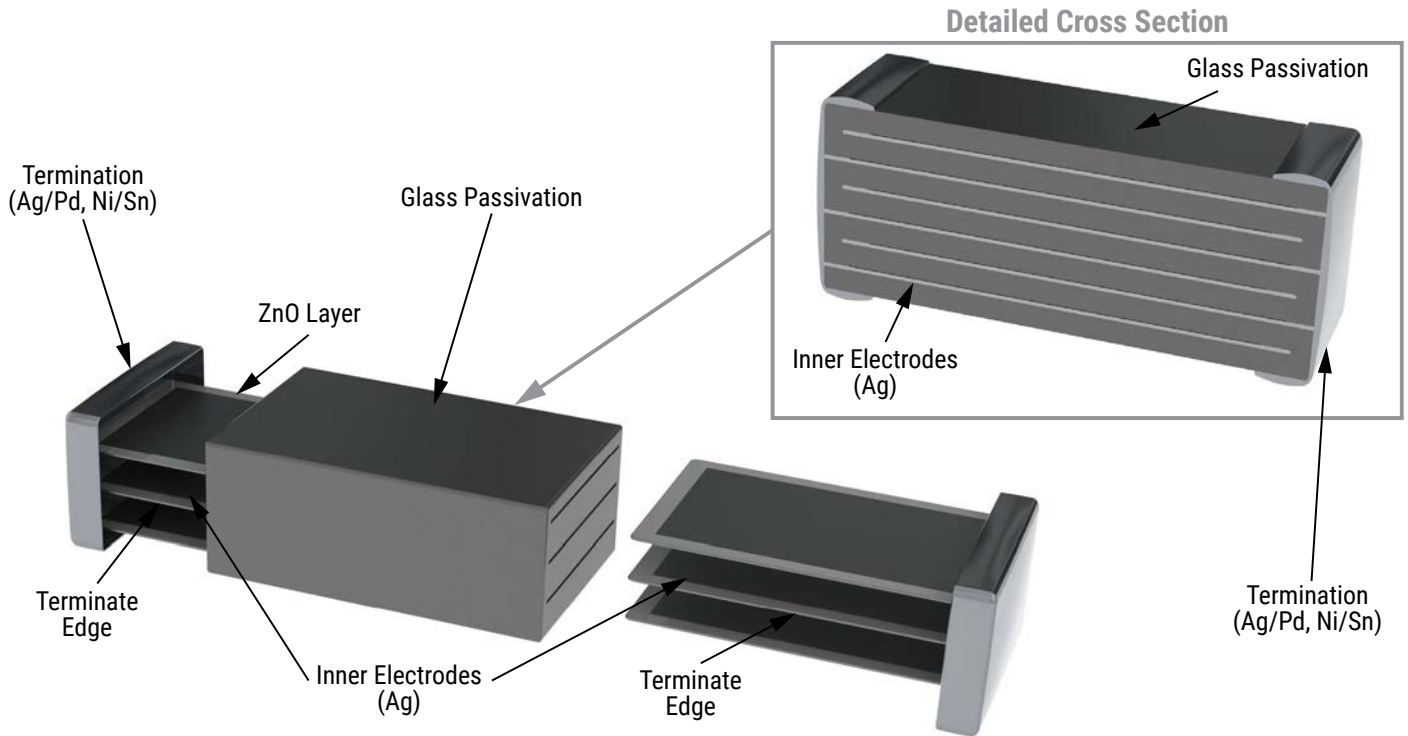


| Size | L (mm) | W (mm) | h (mm) | t _{max} (mm) | A (mm) | B (mm) | C (mm) | D (mm) |
|------|----------|-----------|----------|-----------------------|--------|--------|--------|--------|
| 0603 | 1.6±0.20 | 0.80±0.10 | 0.5±0.25 | 1.0 | 1.0 | 1.0 | 0.6 | 2.6 |
| 0805 | 2.0±0.25 | 1.25±0.20 | 0.5±0.25 | 1.1 | 1.4 | 1.2 | 1.0 | 3.4 |
| 1206 | 3.2±0.30 | 1.60±0.20 | 0.5±0.25 | 1.6 | 1.8 | 1.2 | 2.1 | 4.5 |
| 1210 | 3.2±0.30 | 2.50±0.25 | 0.5±0.25 | 1.8 | 2.8 | 1.2 | 2.1 | 4.5 |
| 1812 | 4.7±0.40 | 3.20±0.30 | 0.5±0.25 | 1.9 | 3.6 | 1.5 | 3.2 | 6.2 |
| 2220 | 5.7±0.50 | 5.00±0.40 | 0.5±0.25 | 1.9 | 5.5 | 1.5 | 4.2 | 7.2 |

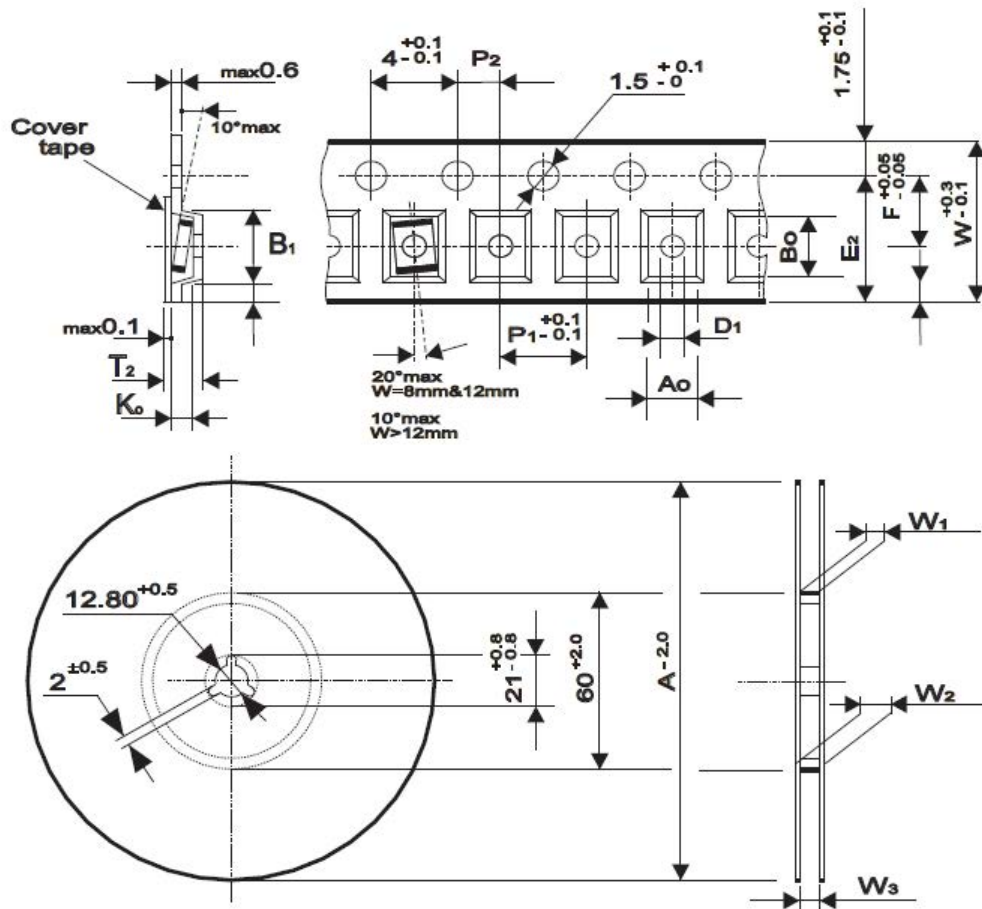
Packaging

| Voltage Range (V) | Chip Size | | | | | |
|-------------------|-----------|-------|-------|-------|-------|-------|
| | 0603 | 0805 | 1206 | 1210 | 1812 | 2220 |
| | Reel Size | | | | | |
| | 180 | 180 | 180 | 180 | 180 | 180 |
| 2 - 14 | 4,000 | 4,000 | 4,000 | 4,000 | 1,500 | 1,500 |
| 17 | 3,500 | 3,500 | 2,500 | 2,500 | 1,500 | 1,500 |
| 20 - 40 | 3,500 | 3,500 | 2,500 | 2,500 | 1,000 | 1,000 |
| 50 - 130 | | | 2,000 | 2,000 | 1,000 | 1,000 |

Construction



Taping & Reel Specifications



| Tape Size (mm) | 8 mm | | | | 12 mm | |
|----------------|------------|------------|------------|------------|-------------|-------------|
| | 0603 | 0805 | 1206 | 1210 | 1812 | 2220 |
| A_0 | 1.2 | 1.6 | 1.9 | 2.9 | 3.75 | 5.6 |
| B_0 | 1.9 | 2.4 | 3.75 | 3.7 | 5.0 | 6.25 |
| K_0 Maximum | 1.1 | 1.1 | 1.8 | 2.0 | 2.0 | 2.0 |
| B_1 Maximum | 4.35 | 4.35 | 4.35 | 4.35 | 8.2 | 8.2 |
| D_1 Minimum | 0.3 | 0.3 | 0.3 | 0.3 | 1.5 | 1.5 |
| E_2 Minimum | 6.25 | 6.25 | 6.25 | 6.25 | 10.25 | 10.25 |
| P_1 | 4.0 | 4.0 | 4.0 | 4.0 | 8.0 | 8.0 |
| F | 3.5 | 3.5 | 3.5 | 3.5 | 5.5 | 5.5 |
| W | 8.0 | 8.0 | 8.0 | 8.0 | 12.0 | 12.0 |
| T_2 Maximum | 3.5 | 3.5 | 3.5 | 3.5 | 6.5 | 6.5 |
| W_1 | 8.4+1.5 | 8.4+1.5 | 8.4+1.5 | 8.4+1.5 | 12.4+2 | 12.4+2 |
| W_2 Maximum | 14.4 | 14.4 | 14.4 | 14.4 | 18.4 | 18.4 |
| W_3 | 7.9 – 10.9 | 7.9 – 10.9 | 7.9 – 10.9 | 7.9 – 10.9 | 11.9 – 15.4 | 11.9 – 15.4 |
| A | 180 | 180 | 180 | 180 | 180 | 180 |

Terms and Definitions

| Term | Symbol | Definition |
|---|---------------|---|
| Rated AC Voltage | V_{rms} | Maximum continuous sinusoidal AC voltage (< 5% total harmonic distortion) which may be applied to the component under continuous operation conditions at 25°C |
| Rated DC Voltage | V_{dc} | Maximum continuous DC voltage (< 5% ripple) which may be applied to the component under continuous operating conditions at 25°C |
| Supply Voltage | V | The voltage by which the system is designated and to which certain operating characteristics of the system are referred; $V_{rms} = 1, 1 \times V$ |
| Leakage Current | I_{dc} | The current passing through the varistor at V_{dc} and at 25°C or at any other specified temperature |
| Varistor Voltage | V_n | Voltage across the varistor measured at a given reference current I_n |
| Reference Current | I_n | Reference current = 1 mA DC |
| Clamping Voltage Protection Level | V_c | The peak voltage developed across the varistor under standard atmospheric conditions, when passing an 8/20 μs class current pulse |
| Class Current | I_c | A peak value of current which is 1/10 of the maximum peak current for 100 pulses at two per minute for the 8/20 μs pulse |
| Voltage Clamping Ratio | V_c/V_{app} | A figure of merit measure of the varistor clamping effectiveness as defined by the symbols V_c/V_{app} , where ($V_{app} = V_{rms}$ or V_{dc}) |
| Jump Start Transient | V_{jump} | The jump start transient resulting from the temporary application of an overvoltage in excess of the rated battery voltage. The circuit power supply may be subjected to a temporary overvoltage condition due to the voltage regulation failing or it may be deliberately generated when it becomes necessary to boost start the car |
| Rated Single Pulse Transient Energy | W_{max} | Energy which may be dissipated for a single 10/1,000 μs pulse of a maximum rated current, with rated AC voltage or rated DC voltage also applied, without causing device failure |
| Load Dump Transient | WLD | Load Dump is a transient which occurs in an automotive environment. It is an exponentially decaying positive voltage which occurs in the event of a battery disconnect while the alternator is still generating charging current with other loads remaining on the alternator circuit at the time of battery disconnect |
| Rated Peak Single Pulse Transient Current | I_{max} | Maximum peak current which may be applied for a single 8/20 μs pulse, with, rated line voltage also applies, without causing device failure |
| Rated Transient Average Power Dissipation | P | Maximum average power which may be dissipated due to a group of pulses occurring within a specified isolated time period, without causing device failure at 25°C |
| Capacitance | C | Capacitance between two terminals of the varistor measured at 1 kHz |
| Response Time | t_r | The time lag between application of a surge and varistor's "turn-on" conduction action |
| Varistor Voltage Temperature Coefficient | TC | $(V_n \text{ at } 85^\circ\text{C} - V_n \text{ at } 25^\circ\text{C}) / (V_n \text{ at } 25^\circ\text{C}) \times 60^\circ\text{C} \times 100$ |
| Insulation Resistance | IR | Minimum resistance between shorted terminals and varistor surface |
| Isolation Voltage | | The maximum peak voltage which may be applied under continuous operating conditions between the varistor terminations and any conducting mounting surface |
| Operating Temperature | | The range of ambient temperature for which the varistor is designed to operate continuously as defined by the temperature limits of its climatic category |
| Climatic Category | LCT/UCT/DHD | UCT = Upper Category Temperature – the maximum ambient temperature for which a varistor has been designed to operate continuously, LCT = Lower Category Temperature – the minimum ambient temperature at which a varistor has been designed to operate continuously DHD = Dump Heat Test Duration |
| Storage Temperature | | Storage temperature range without voltage applied |

KEMET Electronics Corporation Sales Offices

For a complete list of our global sales offices, please visit www.kemet.com/sales.

Disclaimer

All product specifications, statements, information and data (collectively, the "Information") in this datasheet are subject to change. The customer is responsible for checking and verifying the extent to which the Information contained in this publication is applicable to an order at the time the order is placed. All Information given herein is believed to be accurate and reliable, but it is presented without guarantee, warranty, or responsibility of any kind, expressed or implied.

Statements of suitability for certain applications are based on KEMET Electronics Corporation's ("KEMET") knowledge of typical operating conditions for such applications, but are not intended to constitute – and KEMET specifically disclaims – any warranty concerning suitability for a specific customer application or use. The Information is intended for use only by customers who have the requisite experience and capability to determine the correct products for their application. Any technical advice inferred from this Information or otherwise provided by KEMET with reference to the use of KEMET's products is given gratis, and KEMET assumes no obligation or liability for the advice given or results obtained.

Although KEMET designs and manufactures its products to the most stringent quality and safety standards, given the current state of the art, isolated component failures may still occur. Accordingly, customer applications which require a high degree of reliability or safety should employ suitable designs or other safeguards (such as installation of protective circuitry or redundancies) in order to ensure that the failure of an electrical component does not result in a risk of personal injury or property damage.

Although all product-related warnings, cautions and notes must be observed, the customer should not assume that all safety measures are indicated or that other measures may not be required.

KEMET is a registered trademark of KEMET Electronics Corporation.