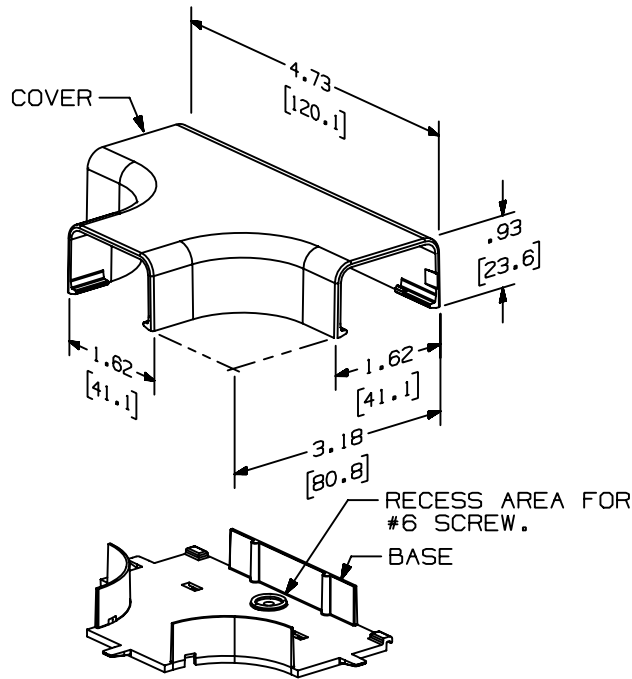


THIS COPY IS PROVIDED ON A RESTRICTED BASIS AND IS NOT TO BE USED IN ANY WAY DETRIMENTAL TO THE INTERESTS OF PANDUIT CORP.



PANDUIT PART NO.	WEIGHT
TFX10	10.6 LB/100 PCS (4800 g/100 PCS)

NOTES:

- SEE CURRENT CATALOG FOR ADDITIONAL PART NUMBER SUFFIXES TO INDICATE COLOR AND OR PACKAGE QUANTITY.
- THIS PRODUCT IS INTENDED TO BE USED WITH PANDUIT TYPE LD10, LDP10 AND LDP210 RACEWAY.
- NOMINAL WALL THICKNESSES:
BASE = .090 (2.3)
COVER = .070 (1.8)
- THIS PRODUCT IS FEATURED WITH THE TIA/EIA COMPLIANT BEND RADIUS.
- DIMENSIONS IN PARENTHESIS ARE IN METRIC.



CAD FILENAME/LAYERS D35013BG_LD_TFX10_01.PRT

PANDUIT CORP. TINLEY PARK, ILLINOIS

TEE FITTING BASE AND COVER
(TFX10)
CUSTOMER DRAWING

UNLESS OTHERWISE SPECIFIED,
DIMENSIONAL TOLERANCES ARE:
(.X) ± (.XXX) ±.015 (.4)
(.XX) ±.03 (.8) ANGLES ±

UNLESS OTHERWISE SPECIFIED,
ALL DIMENSIONS ARE GIVEN
IN INCHES, THIRD ANGLE PROJECTION.

REV	DATE	BY	CHK	DESCRIPTION	ECN	CHK	CUST	SUP
I	03-11-04	JHEP	RGRO	A. REMOVED CD10 FROM NOTE 2	35013-07	RGRO	RGRO	
R	02-13-95	DW	CEF	RELEASED TO PRODUCTION	35013-07	CEF	CEF	

DRAWN BY
DW
DATE
02-13-95
CHECKED BY
CEF

MAT'L:
PVC

SCALE
NONE
DRAWING NO.
35013-07
DWG
A
SIZE