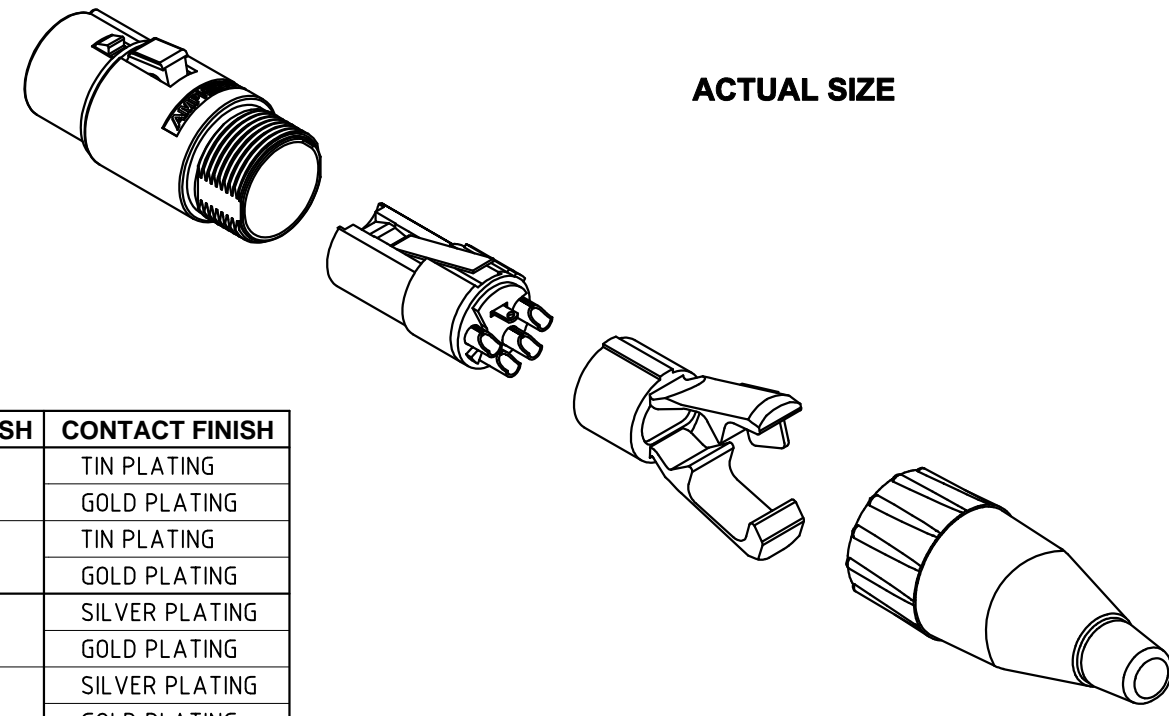




ACTUAL SIZE



CAT P/No.	SHELL FINISH	CONTACT FINISH
AC4F	NICKEL	TIN PLATING
AC4F-AU		GOLD PLATING
AC4FB	BLACK	TIN PLATING
AC4FB-AU		GOLD PLATING
AC5F	NICKEL	SILVER PLATING
AC5F-AU		GOLD PLATING
AC5FB	BLACK	SILVER PLATING
AC5FB-AU		GOLD PLATING
AC6AF	NICKEL	SILVER PLATING
AC6AF-AU		GOLD PLATING
AC6AFB	BLACK	SILVER PLATING
AC6AFB-AU		GOLD PLATING
AC7F	NICKEL	GOLD PLATING
AC7FB	BLACK	

UNLESS OTHERWISE SPECIFIED TOLERANCE TO BE		THIS DOCUMENT IS THE PROPERTY OF AMPHENOL AUSTRALIA PTY. LTD. NO PART THEREOF MAY BE REPRODUCED AND USED WITHOUT THE PRIOR WRITTEN CONSENT OF THE OWNER		0	FIRST ISSUE	L.V	01-05-06	----
LINEAR		ANGULAR		REV.	CHANGE DETAILS	BY	DATE	CHG/No
X ± 0.5	X° ± 1°	CAD FILE: 55010226000221	DRN: L.V	DATE: 01-05-06	TITLE: AC*F LINE CONNECTOR CUSTOMER DWG		Amphenol	
X,X ± 0.1	X°X' ± 30'	MATL: REFER TO COMPONENT	CKD: M.N.H	DATE: 01-05-06	DRAWING NO.		SHEET	
X,X,X ± 0.05	X°X'X" ± 15'	FINISH: REFER TO COMPONENT	APP'D: P.M	DATE: 01-05-06	PART No: REFER TO CHART		SIZE: A4	
DO NOT SCALE		THIRD ANGLE PROJECTION		SCALE: 1:1 UOS	DRAWING NO. 55010226-000-2		SHEET 2 OF 2	

Amphenol
Amphenol Australia Pty Ltd, 2 Fineways Blvd, Keysborough, Vic 3173