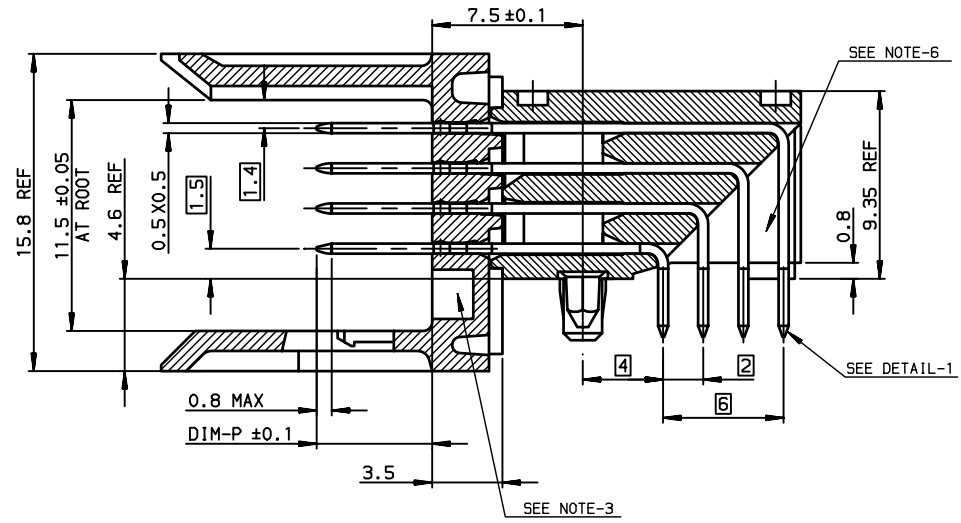


NOTE-1: NORMINATIVE REF = IEC-61076-4-104
 NOTE-2: ONE CENTER PEG FOR HOLD DOWN FORCE
 NOTE-3: CODING RECESS FOR 8MM EXTENDED KEYS
 NOTE-4: PRODUCT MARKING = FCI + BATCH CODE + PRODUCT NUMBER
 FOR 4 MODULE SIZE, ADD CSA LOGO MARKING
 NOTE-6: CENTRAL WALL WITH END REAR SUPPORT
 NOTE-7: PACKAGING IN TRAY + COVER
 IF SUFFIX "P" IS ADDED IN P/N PACKAGING IS IN TRAYS
 BUT CONNECTOR MARKING IS WITHOUT "P"
 EXAMPLE: HM1XXXXXXXXXHP, MARKED HM1XXXXXXXXXH6

SECTION-A SCALE: 4/1



GENERAL CHARACTERISTICS AND ROHS INFORMATIONS:
 SEE PRODUCT SPECIFICATION GS-12-445

OTHERS INFORMATIONS, SEE DRW C-8626-0152-2

European Views

| rev | ecn no | dr | date |
|-----|-----------|-----|------------|
| G | - | CHA | 2003/07/09 |
| H | LS05-0056 | MLE | 2005/06/03 |
| J | LS06-0097 | LGO | 2006/07/12 |
| K | LS07-0184 | MLE | 2007/07/24 |
| L | LS08-0125 | MLE | 2008/05/13 |
| - | - | - | - |
| - | - | - | - |

| | | | | |
|---------------------------------------|----------|-------------------------|-----------------------------------|------------------|
| www.fciconnect.com | | surface ISO 1302 | tolerance std ISO 406 ISO 1101 | projection mm |
| TOLERANCES UNLESS OTHERWISE SPECIFIED | | | | size A3 |
| Dr | CHAMPION | 1994/04/05 | 0.x | ± 0.1 |
| Eng | LENOIR | 1994/04/05 | 0.xx | ± 0.1 |
| Chr | LEGARE | 1994/04/05 | 0.xxx | ± 0.1 |
| Appr | LEGARE | 1994/04/05 | 0.xxx | ± 0.1 |
| Product family | | METRAL | | ECN LS08-0125 |
| Spec ref | | - | | |
| title METRAL RA HDR WB CONVERGE | | dwg no C-8626-0152-1 | | Rev. L |
| catalog no | | CUSTOMER | | sheet 1 of 2 |

Copyright FCI. FCI

REV F - 2006-04-17

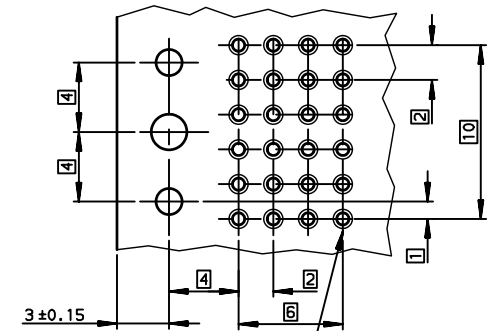
TIN LEAD PART NUMBER

LEAD-FREE PART NUMBER

| PART NUMBER / CONTACT LOADING | | | | | | | |
|-------------------------------|-------|-------|-------|---------------------------|----------------|-------|--|
| DIM-P ±0.10 | | | | P/N AND PERFORMANCE LEVEL | | SP N° | |
| ROW-A | ROW-B | ROW-C | ROW-D | TRAY PACKAGING | TUBE PACKAGING | | |
| 5.00 | 5.00 | 5.00 | 5.00 | HM1L43ADP000H6P | HM1L43ADP000H6 | | |
| 5.75 | 5.75 | 5.75 | 5.75 | HM1L43LDP000H6P | | | |
| 6.50 | 6.50 | 6.50 | 6.50 | HM1L43DDP000H6P | | | |
| 6.50 | 5.00 | 5.00 | 5.00 | HM1L43BDP000H6P | | | |
| 6.50 | 5.75 | 5.75 | 6.50 | HM1L43CDP000H6P | | | |
| 5.00 | 5.00 | 6.50 | 5.00 | HM1L43ZDP110H6P | | 110 | |
| 5.00 | 5.75 | 6.50 | 5.00 | HM1L43ZDP430H6P | | 430 | |
| 5.00 | 5.75 | 5.00 | 5.00 | HM1L43ZDP448H6P | | 448 | |
| | | | | | | | |
| | | | | | | | |
| 5.75 | 5.00 | 5.00 | 5.00 | HM1L43ZDP009H6P | | 009 | |
| 5.75 | 6.50 | 5.75 | 5.00 | HM1L43ZDP424H6P | | 424 | |
| | | | | | | | |
| | | | | | | | |
| 6.50 | 5.75 | 6.50 | 5.75 | HM1L43ZDP037H6P | | 037 | |
| 6.50 | 5.75 | 5.00 | 5.75 | HM1L43ZDP102H6P | | 102 | |
| 6.50 | 6.50 | 6.50 | 5.75 | HM1L43ZDP135H6P | | 135 | |
| 6.50 | 5.75 | 5.75 | 5.75 | HM1L43ZDP369H6P | | 369 | |
| | | | | | | | |
| | | | | | | | |
| | | | | | | | |
| | | | | | | | |
| | | | | | | | |
| 8.00 | 6.50 | 6.50 | 6.50 | HM1L43ZDPA07H6P | | A07 | |

| PART NUMBER / CONTACT LOADING | | | | | | | |
|-------------------------------|-------|-------|-------|---------------------------|-------------------|-------|--|
| DIM-P ±0.10 | | | | P/N AND PERFORMANCE LEVEL | | SP N° | |
| ROW-A | ROW-B | ROW-C | ROW-D | TRAY PACKAGING | TUBE PACKAGING | | |
| 5.00 | 5.00 | 5.00 | 5.00 | HM1L43ADP000H6PLF | HM1L43ADP000H6LFL | | |
| 5.75 | 5.75 | 5.75 | 5.75 | HM1L43LDP000H6PLF | | | |
| 6.50 | 6.50 | 6.50 | 6.50 | HM1L43DDP000H6PLF | | | |
| 6.50 | 5.00 | 5.00 | 5.00 | HM1L43BDP000H6PLF | | | |
| 6.50 | 5.75 | 5.75 | 6.50 | HM1L43CDP000H6PLF | | | |
| 5.00 | 5.00 | 6.50 | 5.00 | HM1L43ZDP110H6PLF | | 110 | |
| 5.00 | 5.75 | 6.50 | 5.00 | HM1L43ZDP430H6PLF | | 430 | |
| 5.00 | 5.75 | 5.00 | 5.00 | HM1L43ZDP448H6PLF | | 448 | |
| | | | | | | | |
| | | | | | | | |
| 5.75 | 5.00 | 5.00 | 5.00 | HM1L43ZDP009H6PLF | | 009 | |
| 5.75 | 6.50 | 5.75 | 5.00 | HM1L43ZDP424H6PLF | | 424 | |
| | | | | | | | |
| | | | | | | | |
| 6.50 | 5.75 | 6.50 | 5.75 | HM1L43ZDP037H6PLF | | 037 | |
| 6.50 | 5.75 | 5.00 | 5.75 | HM1L43ZDP102H6PLF | | 102 | |
| 6.50 | 6.50 | 6.50 | 5.75 | HM1L43ZDP135H6PLF | | 135 | |
| 6.50 | 5.75 | 5.75 | 5.75 | HM1L43ZDP369H6PLF | | 369 | |
| | | | | | | | |
| | | | | | | | |
| | | | | | | | |
| | | | | | | | |
| | | | | | | | |
| 8.00 | 6.50 | 6.50 | 6.50 | HM1L43ZDPA07H6PLF | | A07 | |

RECOMMENDED PCB LAYOUT PER 12MM LENGTH

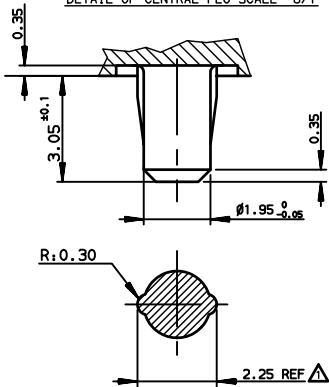


Hole according to product spec
6S-12-445 (for press-fit),
6S-12-446 (for STB)

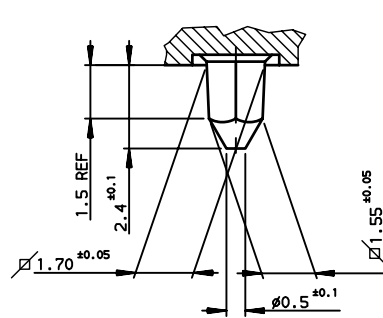
STANDARD MATING LENGTHS = 5.75 (AND 5.00-6.50)

STANDARD MATING LENGTHS = 5.75 (AND 5.00-6.50)

DETAIL OF CENTRAL PEG SCALE 8/1



DETAIL OF LOCATING PEGS (2x) SCALE 8/1



European Views

| | | | | |
|--------------------|----------|---------------------------------------|-----------------------------------|-------------------------|
| www.fciconnect.com | | surface ISO 1302 | tolerance std ISO 406 ISO 1101 | projection mm |
| | | TOLERANCES UNLESS OTHERWISE SPECIFIED | | |
| Dr | CHAMPION | 1994/04/05 | 0.X ±0.1 | size A3 |
| Eng | LENOIR | 1994/04/05 | 0.XX ±0.1 | Scale 4 |
| Chr | LEGARE | 1994/04/05 | 0.XXX ±0.1 | ECN LS08-0125 |
| Appr | LEGARE | 1994/04/05 | Product family METRAL | Spec ref - |
| FCI | | METRAL RA HDR WB CONVERGE | | Rev. L |
| | | 4X24 CTS - PF - PUSH PEG | | dwg no C-8626-0152-2 |
| catalog no | | CUSTOMER | | sheet 2 of 2 |

| rev | ecn no | dr | date |
|-----|-----------|-----|------------|
| F | - | CHA | 2003/03/17 |
| H | LS05-0056 | MLE | 2005/06/06 |
| J | LS06-0097 | LGO | 2006/07/12 |
| K | LS07-0184 | MLE | 2007/07/24 |
| L | LS08-0125 | MLE | 2008/05/13 |
| - | - | - | - |
| - | - | - | - |



Copyright FCI.