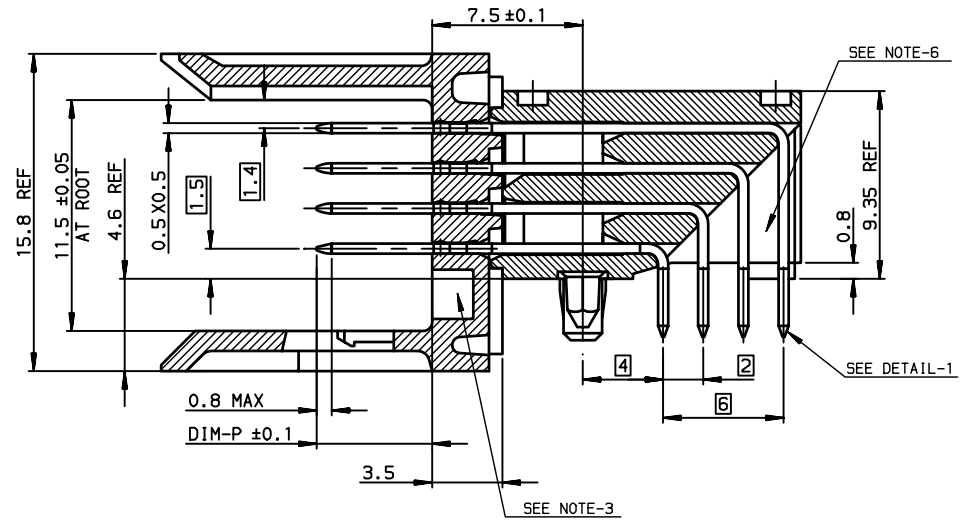


NOTE-1: NORMINATIVE REF = IEC-61076-4-104  
 NOTE-2: ONE CENTER PEG FOR HOLD DOWN FORCE  
 NOTE-3: CODING RECESS FOR 8MM EXTENDED KEYS  
 NOTE-4: PRODUCT MARKING = FCI + BATCH CODE + PRODUCT NUMBER  
 FOR 4 MODULE SIZE, ADD CSA LOGO MARKING  
 NOTE-6: CENTRAL WALL WITH END REAR SUPPORT  
 NOTE-7: PACKAGING IN TRAY + COVER  
 IF SUFFIX "P" IS ADDED IN P/N PACKAGING IS IN TRAYS  
 BUT CONNECTOR MARKING IS WITHOUT "P"  
 EXAMPLE: HM1XXXXXXXXXHP, MARKED HM1XXXXXXXXXH6

SECTION-A SCALE: 4/1



GENERAL CHARACTERISTICS AND ROHS INFORMATIONS:  
 SEE PRODUCT SPECIFICATION GS-12-445

OTHERS INFORMATIONS, SEE DRW C-8626-0152-2

European Views

rev	ecn no	dr	date
G	-	CHA	2003/07/09
H	LS05-0056	MLE	2005/06/03
J	LS06-0097	LGO	2006/07/12
K	LS07-0184	MLE	2007/07/24
L	LS08-0125	MLE	2008/05/13
-	-	-	-
-	-	-	-

www.fciconnect.com		surface ISO 1302	tolerance std ISO 406 ISO 1101	projection mm
TOLERANCES UNLESS OTHERWISE SPECIFIED				size A3
Dr	CHAMPION	1994/04/05	0.X	± 0.1
Eng	LENOIR	1994/04/05	0.XX	± 0.1
Chr	LEGARE	1994/04/05	0.XXX	± 0.1
Appr	LEGARE	1994/04/05	0.XX ± 2'	ECN LS08-0125
Product family			METRAL	Spec ref -
title METRAL RA HDR WB CONVERGE				Rev. L
catalog no				dwg no C-8626-0152-1
CUSTOMER				sheet 1 of 2

Copyright FCI. FCI

REV F - 2006-04-17

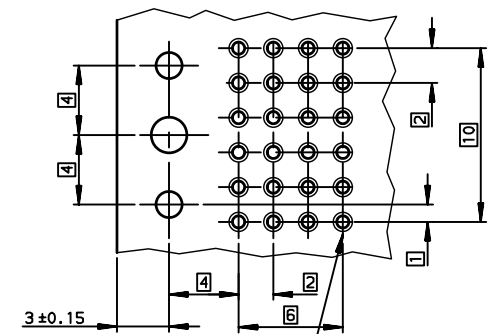
TIN LEAD PART NUMBER

LEAD-FREE PART NUMBER

PART NUMBER / CONTACT LOADING								SP N°
DIM-P ±0.10				P/N AND PERFORMANCE LEVEL				
ROW-A	ROW-B	ROW-C	ROW-D	TRAY PACKAGING	TUBE PACKAGING			
5.00	5.00	5.00	5.00	HM1L43ADP000H6P	HM1L43ADP000H6			
5.75	5.75	5.75	5.75	HM1L43LDP000H6P				
6.50	6.50	6.50	6.50	HM1L43DDP000H6P				
6.50	5.00	5.00	5.00	HM1L43BDP000H6P				
6.50	5.75	5.75	6.50	HM1L43CDP000H6P				
5.00	5.00	6.50	5.00	HM1L43ZDP110H6P			110	
5.00	5.75	6.50	5.00	HM1L43ZDP430H6P			430	
5.00	5.75	5.00	5.00	HM1L43ZDP448H6P			448	
5.75	5.00	5.00	5.00	HM1L43ZDP009H6P			009	
5.75	6.50	5.75	5.00	HM1L43ZDP424H6P			424	
6.50	5.75	6.50	5.75	HM1L43ZDP037H6P			037	
6.50	5.75	5.00	5.75	HM1L43ZDP102H6P			102	
6.50	6.50	6.50	5.75	HM1L43ZDP135H6P			135	
6.50	5.75	5.75	5.75	HM1L43ZDP369H6P			369	
8.00	6.50	6.50	6.50	HM1L43ZDPA07H6P			A07	

PART NUMBER / CONTACT LOADING								SP N°
DIM-P ±0.10				P/N AND PERFORMANCE LEVEL				
ROW-A	ROW-B	ROW-C	ROW-D	TRAY PACKAGING	TUBE PACKAGING			
5.00	5.00	5.00	5.00	HM1L43ADP000H6PLF	HM1L43ADP000H6LFL			
5.75	5.75	5.75	5.75	HM1L43LDP000H6PLF				
6.50	6.50	6.50	6.50	HM1L43DDP000H6PLF				
6.50	5.00	5.00	5.00	HM1L43BDP000H6PLF				
6.50	5.75	5.75	6.50	HM1L43CDP000H6PLF				
5.00	5.00	6.50	5.00	HM1L43ZDP110H6PLF			110	
5.00	5.75	6.50	5.00	HM1L43ZDP430H6PLF			430	
5.00	5.75	5.00	5.00	HM1L43ZDP448H6PLF			448	
5.75	5.00	5.00	5.00	HM1L43ZDP009H6PLF			009	
5.75	6.50	5.75	5.00	HM1L43ZDP424H6PLF			424	
6.50	5.75	6.50	5.75	HM1L43ZDP037H6PLF			037	
6.50	5.75	5.00	5.75	HM1L43ZDP102H6PLF			102	
6.50	6.50	6.50	5.75	HM1L43ZDP135H6PLF			135	
6.50	5.75	5.75	5.75	HM1L43ZDP369H6PLF			369	
8.00	6.50	6.50	6.50	HM1L43ZDPA07H6PLF			A07	

RECOMMENDED PCB LAYOUT PER 12MM LENGTH



Hole according to product spec  
6S-12-445 (for press-fit) ,  
6S-12-446 (for STB)

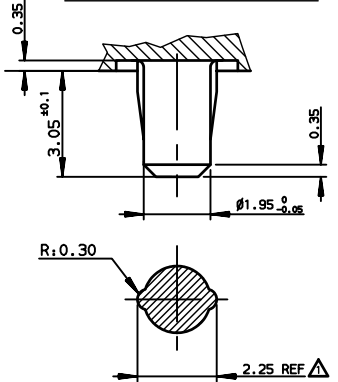
STANDARD MATING LENGTHS = 5.75 (AND 5.00-6.50)

STANDARD MATING LENGTHS = 5.75 (AND 5.00-6.50)

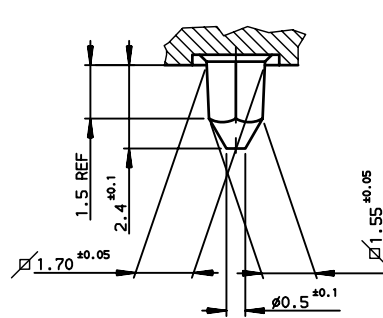


Copyright FCI.

DETAIL OF CENTRAL PEG SCALE 8/1



DETAIL OF LOCATING PEGS (2x) SCALE 8/1



REV F - 2006-04-17

European Views

www.fciconnect.com		surface ISO 1302	tolerance std ISO 406 ISO 1101	projection mm	size A3	Scale 4																															
Dr CHAMPION 1994/04/05		TOLERANCES UNLESS OTHERWISE SPECIFIED		0.X ±0.1	ECN LS08-0125																																
Eng LENOIR 1994/04/05		ANGULAR	LINEAR	0.XX ±0.1	Spec ref -																																
Chr LEGARE 1994/04/05		0.XX ±2°		0.XXX ±0.1																																	
Appr LEGARE 1994/04/05		Product family		METRAL																																	
<table border="1"> <thead> <tr><th>rev</th><th>ecn no</th><th>dr</th><th>date</th></tr> </thead> <tbody> <tr><td>F</td><td>-</td><td>CHA</td><td>2003/03/17</td></tr> <tr><td>H</td><td>LS05-0056</td><td>MLE</td><td>2005/06/06</td></tr> <tr><td>J</td><td>LS06-0097</td><td>LGO</td><td>2006/07/12</td></tr> <tr><td>K</td><td>LS07-0184</td><td>MLE</td><td>2007/07/24</td></tr> <tr><td>L</td><td>LS08-0125</td><td>MLE</td><td>2008/05/13</td></tr> <tr><td>-</td><td>-</td><td>-</td><td>-</td></tr> <tr><td>-</td><td>-</td><td>-</td><td>-</td></tr> </tbody> </table>		rev	ecn no	dr	date	F	-	CHA	2003/03/17	H	LS05-0056	MLE	2005/06/06	J	LS06-0097	LGO	2006/07/12	K	LS07-0184	MLE	2007/07/24	L	LS08-0125	MLE	2008/05/13	-	-	-	-	-	-	-	-	<b>FCI</b> title METRAL RA HDR WB CONVERGE 4X24 CTS - PF - PUSH PEG catalog no		dwg no C-8626-0152-2 CUSTOMER sheet 2 of 2	Rev. L
rev	ecn no	dr	date																																		
F	-	CHA	2003/03/17																																		
H	LS05-0056	MLE	2005/06/06																																		
J	LS06-0097	LGO	2006/07/12																																		
K	LS07-0184	MLE	2007/07/24																																		
L	LS08-0125	MLE	2008/05/13																																		
-	-	-	-																																		
-	-	-	-																																		