

1

2

3

4

A

B

C

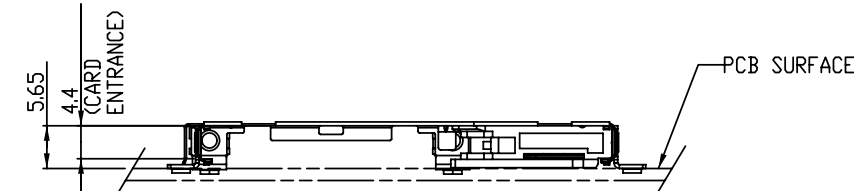
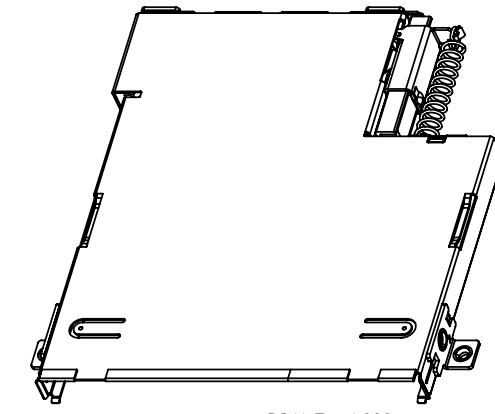
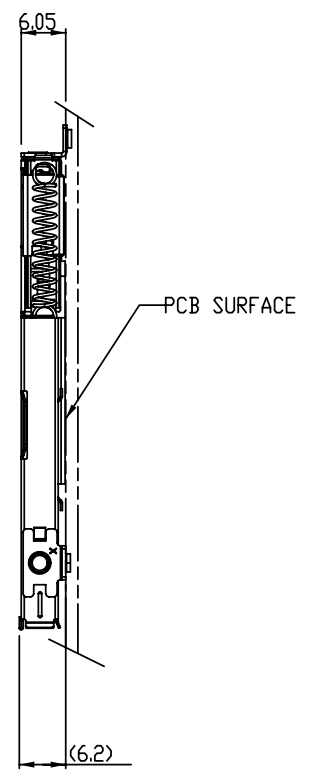
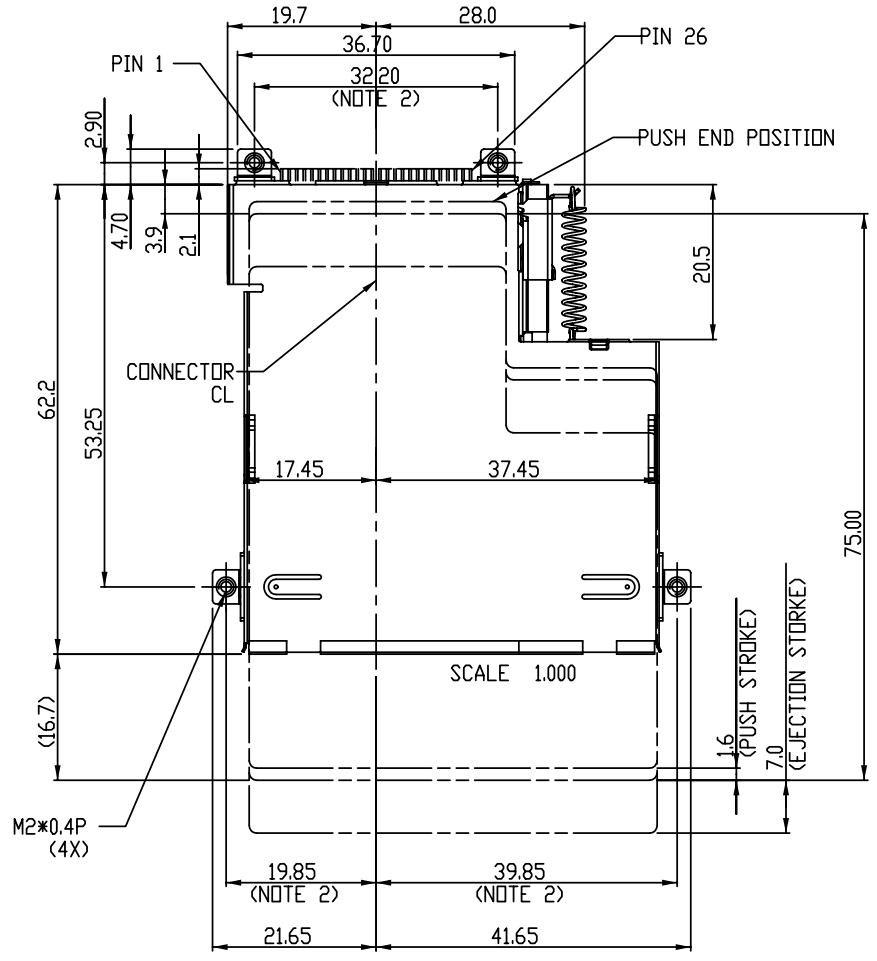
D

A

B

C

D



tolerance unless otherwise specified	
linear	.X ± .5
	.XX ± .30
angles	0° ± 2°

www.fciconnect.com			✓	tolerance ASME Y14.5	projection	MM	
Dr	KENNY TAI	02/17/05	Product family		size A4	Scale 1.000	
Eng	KENNY TAI	02/17/05	Spec ref	*	ECN	N10-0413	
Chr	KENNY TAI	02/17/05	Material	SEE NOTES			
Appr	JOSEPH HSIA	02/17/05					
rev	ecn no	dr	date	title TOP MOUNT, CARD PUSH EXPRESSCARD HOST MECH.			dwg no 10053827
A	T05-0116	TAI	05/30/05	catalog no 10053827	CUSTOMER	Rev. C	
B	T05-0244	TAI	11/02/05				
C	N10-0413	SH	2010-12-10				
-	-	-	-				
-	-	-	-				
-	-	-	-				



Copyright FCI.

REV F - 2006-04-17

1

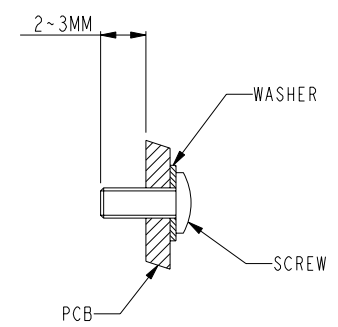
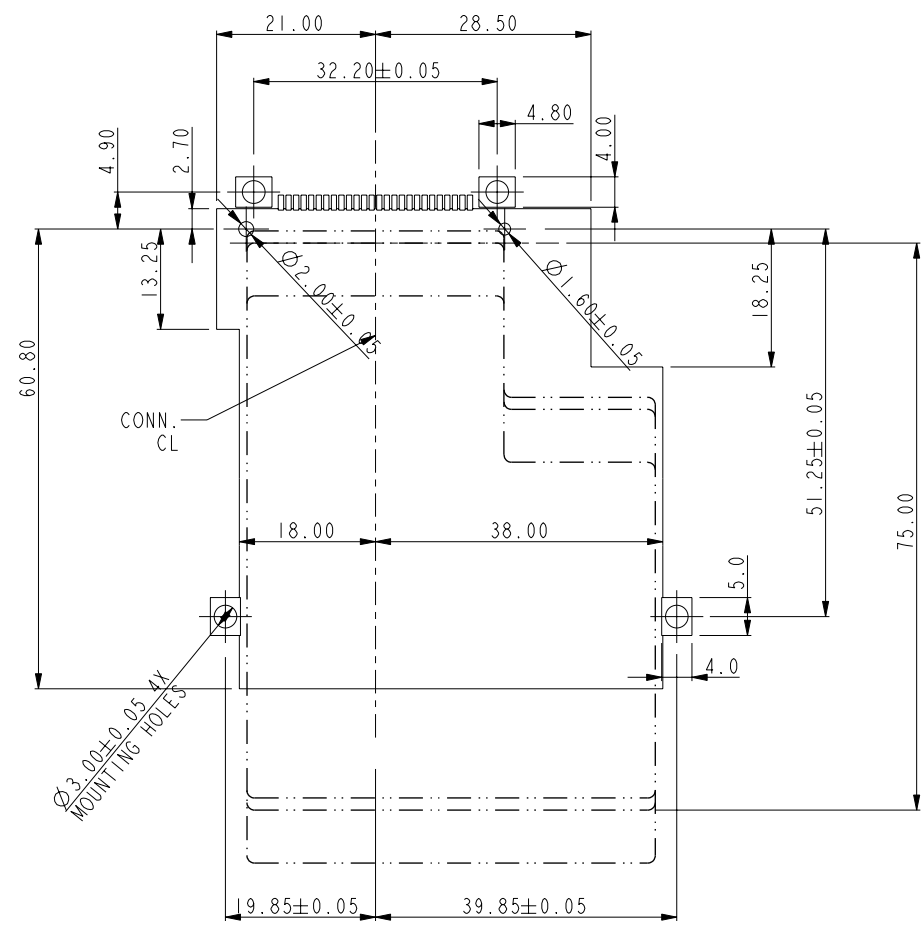
2

3 PDM: Rev:C

STATUS: Released

4 Printed: Dec 22, 2010

PART NO.	MOUNTING	STAND-OFF	HOST CONN P/N	PRODUCT SPEC.	PACKING SPEC.	NOTE
10053827-00A	ABOVE	0MM	10053826-X00AXXLF	GS-12-301	GS-14-295	LEAD FREE
10053827-00ALF	ABOVE	0MM	10053826-X00AXXLF	GS-12-301	GS-14-295	LEAD FREE



NO MOUNTING
PART AREA

- NOTE:
1. 4 M2*0.4P SCREWS WITH WASHER ARE REQUIRED.
 2. SHOW DIMENSION AFTER FASTENED TO PCB.
 3. SEE HOST CONNECTOR DRAWINGS FOR PCB LAYOUT DETAIL.
 4. RECOMMENDED TIGHTING TORQUE 1.6~1.8 KGF-CM.
 5. SEE DETAIL 2 FOR RECOMMENDED SCREW LENGTH.



TOP MOUNT, CARD PUSH EXPRESSCARD HOST MECH.	dwg no 10053827	Rev. C
catalog no 10053827	CUSTOMER	sheet 2 of 2