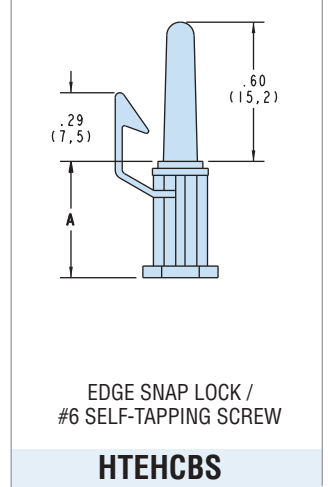
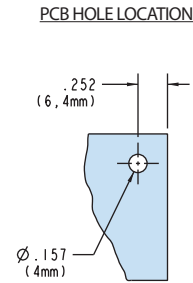
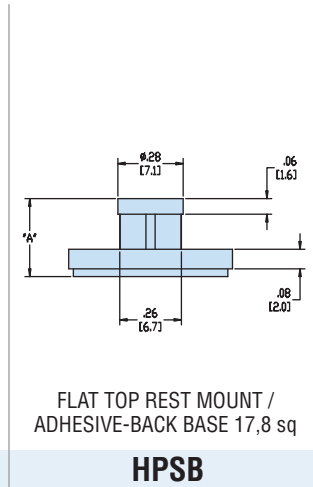
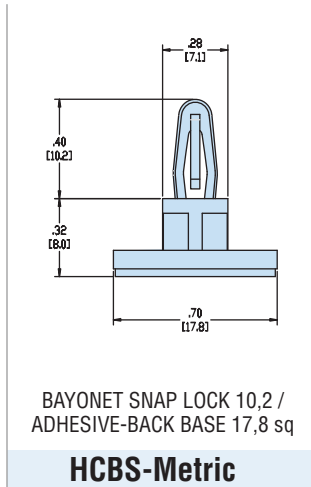




# Heyco® Nylon PCB Supports - Adhesive-Back Mount and Edge Holding



PCB	Maximum Thickness		Mounting Hole Diameter		PCB	Maximum Thickness		Mounting Hole Diameter	
	in.	mm.	in.	mm.		in.	mm.	in.	mm.
	.062	1,6	.157	4,0					
<b>Chassis</b>	adhesive-back mount					flat top rest mount			
	adhesive-back mount					adhesive-back mount			

PCB	Maximum Thickness		Mounting Hole Diameter		PCB	Maximum Thickness		Mounting Hole Diameter	
	in.	mm.	in.	mm.		in.	mm.	in.	mm.
	.062	1,6	.157	4,0					
<b>Chassis</b>	adhesive-back mount					flat top rest mount			
	adhesive-back mount					adhesive-back mount			

A mm.	PART NO. Natural	DESCRIPTION	PART NO. Natural V-0	DESCRIPTION
6,0			<b>10810F</b>	HPSB-06M-AB
8,0	<b>10781</b>	HCBS-08M-AB	<b>10811F</b>	HPSB-08M-AB
10,0	<b>10782</b>	HCBS-10M-AB	<b>10812F</b>	HPSB-10M-AB
12,0			<b>10813F</b>	HPSB-12M-AB
14,0			<b>10814F</b>	HPSB-14M-AB
16,0			<b>10815F</b>	HPSB-16M-AB

A in.	A mm.	PART NO. Natural*	DESCRIPTION
.250	6,4	<b>10935</b>	HTEHCBS-04
.312	7,9	<b>10936</b>	HTEHCBS-05
.375	9,5	<b>10937</b>	HTEHCBS-06
.500	12,7	<b>10939</b>	HTEHCBS-08
.625	15,9	<b>10941</b>	HTEHCBS-10
.750	19,1	<b>10942</b>	HTEHCBS-12
.875	22,2	<b>10943</b>	HTEHCBS-14
1.000	25,4	<b>10944</b>	HTEHCBS-16

Standard color natural. \*For special order parts in UL 94V-0 natural material, add the suffix “F” to Part No. Note: Consult Heyco for HCBS in V-0 material. V-0 material is standard for HPSB series parts.

- Long nose facilitates alignment of components on board with the mating parts on the chassis.
- PCB is easy to remove for service.

Material	Nylon 6/6
Flammability Rating	HPSB - 94V-0; all others 94V-2
Temperature Range	.4°F (-18°C) to 185°F (85°C)

Quick Specs