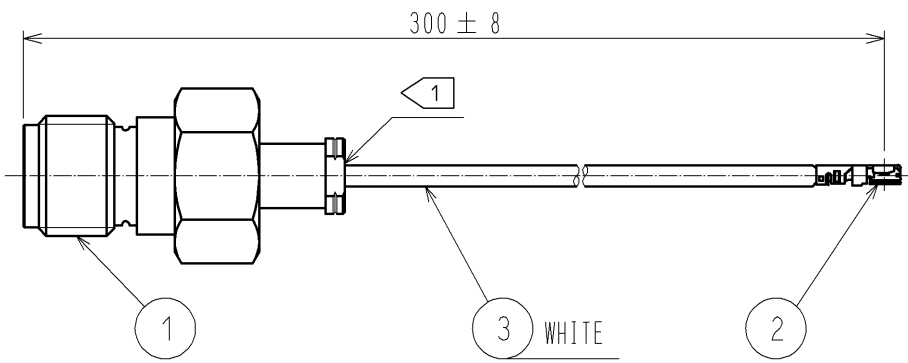
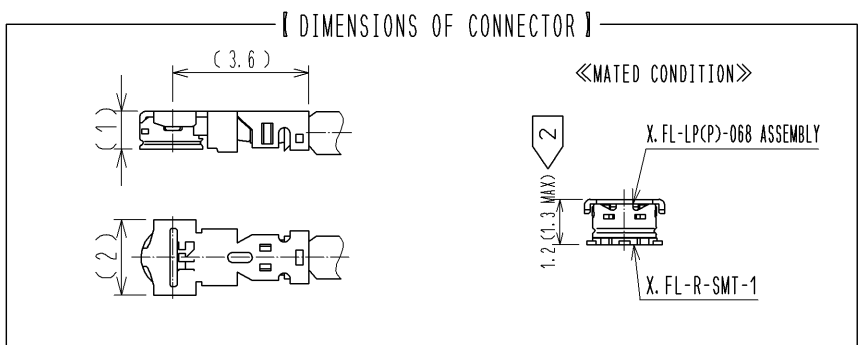


APPLICABLE STANDARD						
RATING	OPERATING TEMPERATURE RANGE	- 40°C TO + 90°C (90%RH MAX)	STORAGE TEMPERATURE RANGE	- 40°C TO + 90°C (90%RH MAX)		
	POWER	—W	CHARACTERISTIC IMPEDANCE	50Ω (0 TO 6 GHz)		
	PECULIARITY	—	APPLICABLE CABLE	FWS5064 (WHITE) KURABE INDUSTRIAL CO., LTD.		
SPECIFICATIONS						
ITEM	TEST METHOD		REQUIREMENTS		QT	AT
<b>CONSTRUCTION</b>						
GENERAL EXAMINATION	VISUALLY AND BY MEASURING INSTRUMENT.		ACCORDING TO DRAWING.		X	X
MARKING	CONFIRMED VISUALLY.				X	X
<b>ELECTRIC CHARACTERISTICS</b>						
CONTACT RESISTANCE	10 mA MAX (DC OR 1000 Hz).		CENTER CONTACT	176 mΩ MAX.	X	X
			OUTER CONTACT	76 mΩ MAX.	X	X
INSULATION RESISTANCE	100 V DC.		500	MΩ MIN.	X	X
VOLTAGE PROOF	200 V AC. FOR 1 min. CURRENT LEAKAGE 2mA MAX.		NO FLASHOVER OR BREAKDOWN.		X	X
VOLTAGE STANDING WAVE RATIO	FREQUENCY 0.045 TO 3 GHz		VSWR	1.3 MAX.	X	—
	FREQUENCY 3 TO 6 GHz		VSWR	1.4 MAX.		
INSERTION LOSS	FREQUENCY TO GHz				—	—
<b>MECHANICAL CHARACTERISTICS</b>						
CABLE CLAMP ROBUSTNESS (AGAINST CABLE PULL)	APPLYING A PULL FORCE THE CABLE AXIALLY AT 9.8 N MAX.		1) NO WITHDRAWAL AND BREAKAGE OF CABLE. 2) NO BREAKAGE OF CLAMP.		X	—
COUNT	DESCRIPTION OF REVISIONS		DESIGNED	CHECKED	DATE	
△						
REMARK RoHS COMPLIANT			APPROVED	KY. SHIMIZU	14.11.17	
			CHECKED	TO. KATAYAMA	14.11.17	
			DESIGNED	YI. FUNADA	14.11.14	
Unless otherwise specified, refer to JIS C 5402.			DRAWN	YI. FUNADA	14.11.14	
Note QT:Qualification Test AT:Assurance Test X:Applicable Test			DRAWING NO.		ELC4-361456-02	
<b>HRS</b>	SPECIFICATION SHEET		PART NO.	HRMJ-X. FL-068K3TS-A-300RS		
	HIROSE ELECTRIC CO., LTD.		CODE NO.	CL321-6605-0-02	△	1/1



NOTE Do not apply any excessive stress to the cable assembly position.  
 The drawing shows mated connector height only.

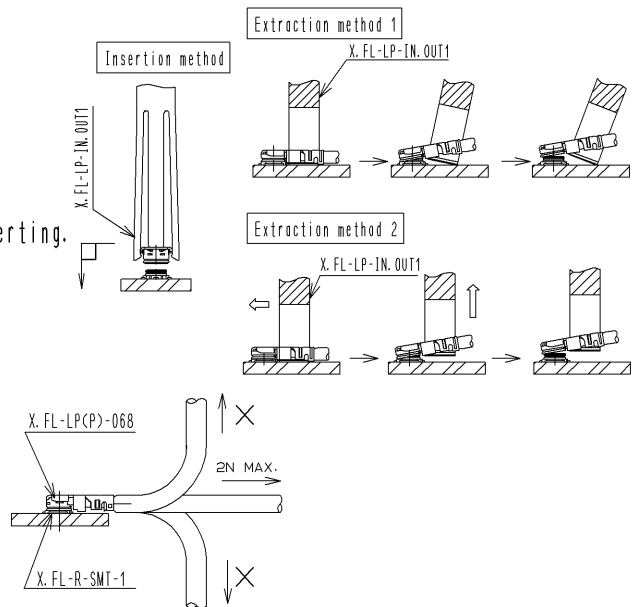


**[PRECAUTIONS FOR HANDLING]**

◆ Connector insertion and extraction  
 a. Insert the connector as perpendicularly to the mating surface as possible with aligning the mating axes of both connectors by specialised insertion JIG.  
 Part No. : W.FL-LP-IN(CL331-0323-2) or X.FL-LP-IN.OUT1(CL331-0715-2)  
 Do not excessively slant the connectors when inserting.

b. connector shall be extracted by specialised extraction JIG.  
 Part No. : X.FL-LP-IN.OUT1(CL331-0715-2)  
 Never hold the cable when extracting the cable because it damages the connector.

◆ Allowable loads on the cable after the connectors are mated.  
 The right figures show the maximum allowable loads on the cable.  
 Do not apply loads exceeding these values to the cable.



RoHS COMPLIANT

2	X.FL-LP(P)-068	CL331-0714-0-00			
1	HRM-200-066JBN(40)	CL323-0793-1-40	3	FWS5064(WHITE)	KURABE INDUSTRIAL CO., LTD.
NO.	PART NO.	CODE NO.	NO.	PART NO.	MANUFACTURER

UNITS mm		SCALE FREE	COUNT 	DESCRIPTION OF REVISIONS	DESIGNED	CHECKED	DATE
HIROSE ELECTRIC CO., LTD.				APPROVED : KY. SHIMIZU 14. 11. 17 CHECKED : TO. KATAYAMA 14. 11. 17 DESIGNED : YI. FUNADA 14. 11. 14 DRAWN : YI. FUNADA 14. 11. 14	DRAWING NO. EDC4-361456-02 PART NO. HRMJ-X.FL-068K3TS-A-300RS CODE NO. CL321-6605-0-02		