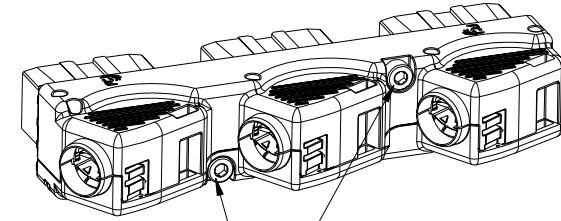
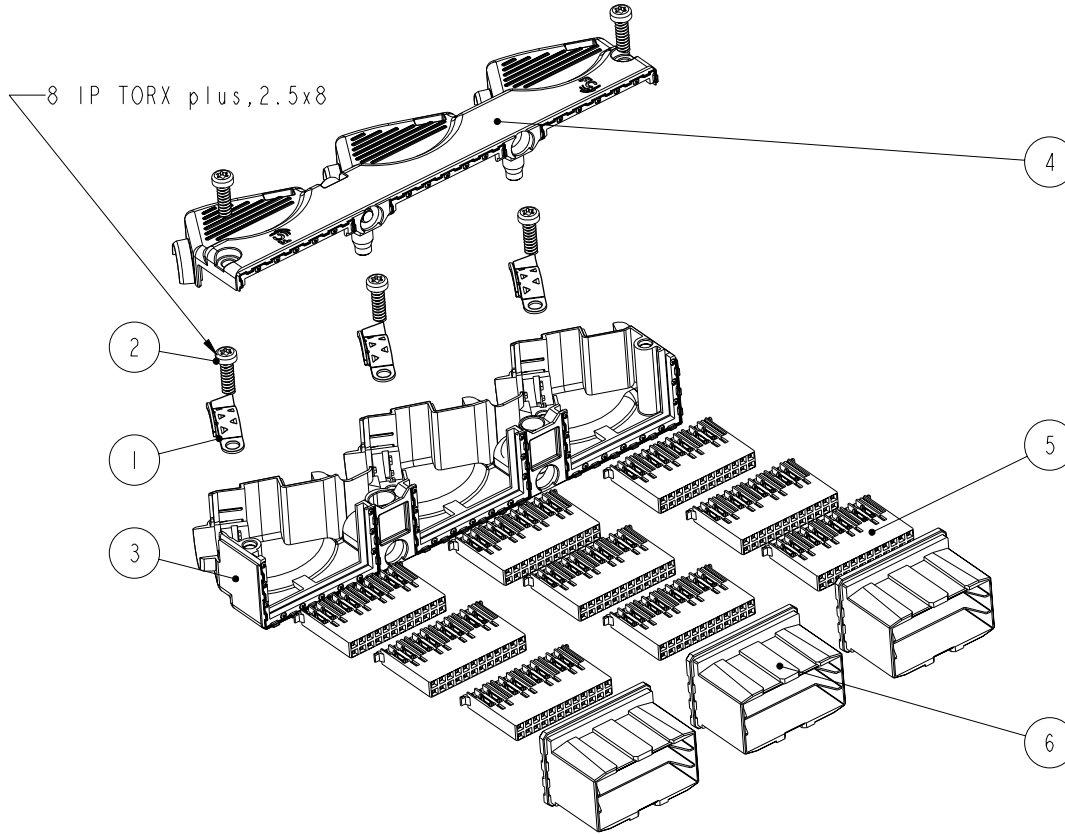


PART NUMBER:  
10076192-101LF

# 72 Pair Cable Connector



Hexagon M2.5x3  
(Pre-assembled in cover-parts)



6	SHROUD	3
5	TERMINAL BLOCK ASSEMBLY	9
4	SUB-ASS'Y TOP-COVER	1
3	SUB-ASS'Y BOTTOM-COVER	1
2	CONNECTOR SELF TAPPING SCREW	5
1	CLAMP	3
INDEX NO.	TITLE I	QTY



Copyright FCI.

www.fciconnect.com		surface - ISO 1302	tolerance std ISO 406 / ISO 1101	projection mm	mm	
		TOLERANCES UNLESS OTHERWISE SPECIFIED				
Dr	P.Poorter	071121	ANGULAR	0.x	±-	size A3
Eng	J.de Bruijn	071121	LINEAR	0.xx	±-	Scale 3:2
Chr	-	-	0° ±°	0.xxx	±-	ECN H09-0050
Appr	J.de Bruijn	071121	Product family	Metral	Spec ref	
FCI		title ASSEMBLY KIT		dwg no 10076192		Rev. D
		METRAL HDXS CABLE CONNECTOR		CUSTOMER		sheet 1 of 4
		catalog no				

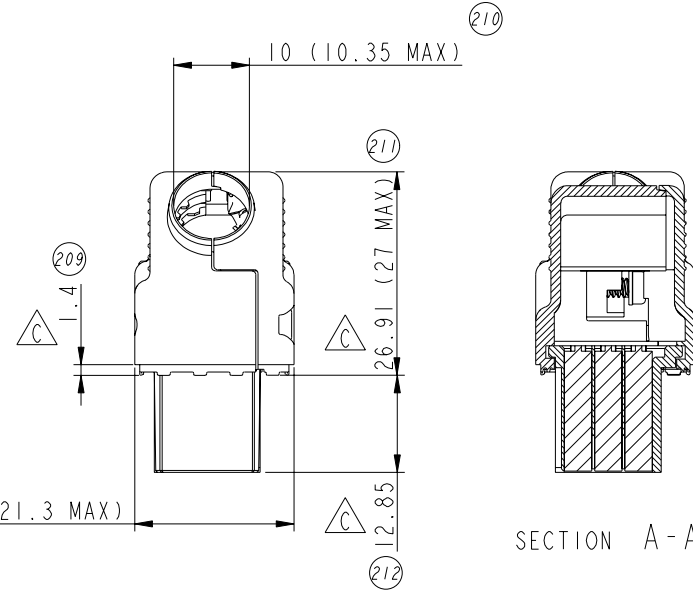
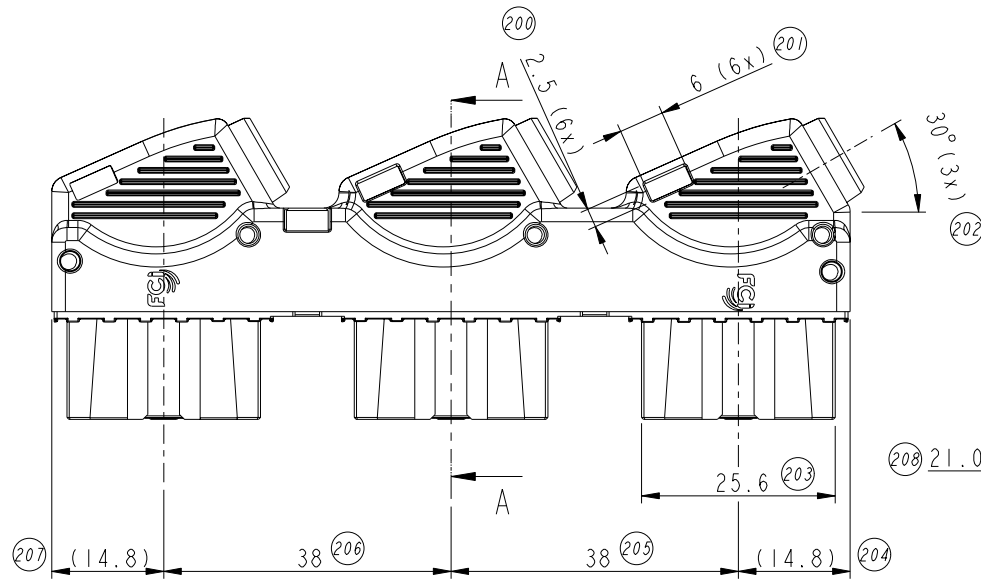
rev	ecn no	dr	date
A	H07-0263	PEP	071121
B	H07-0283	PEP	080104
C	H09-0050	PEP	090326
D	N09-0359	R.B	11/05/2009
-	-	-	-
-	-	-	-
-	-	-	-

PART NUMBER:  
10076192-101LF

# TOP CABLING

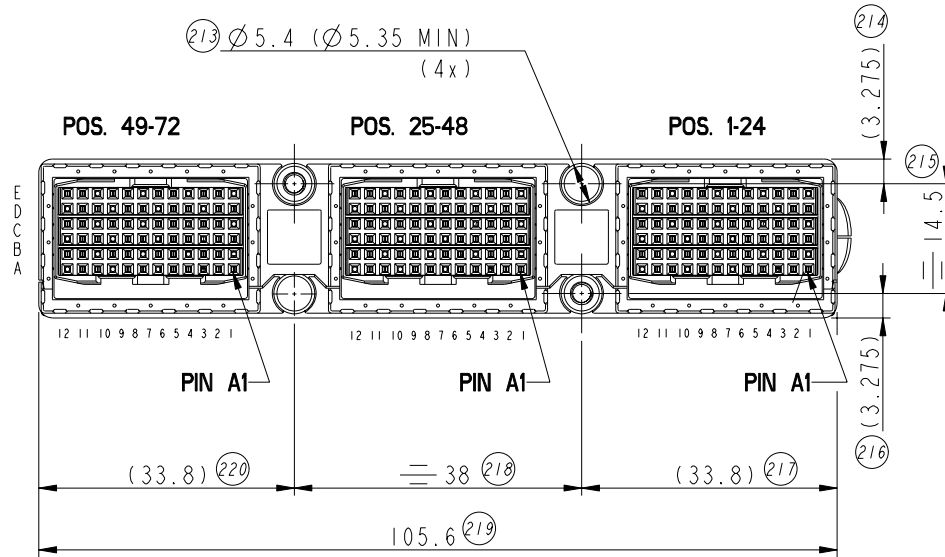
A

B



SCALE 3:2

C



D



Copyright FCI.

www.fciconnect.com		surface ISO 1302	tolerance std ISO 406 / ISO 1101	projection	mm
		TOLERANCES UNLESS OTHERWISE SPECIFIED			
Dr	P.Poorter	071121	0.X	±-	size A3
Eng	J.de Bruijn	071121	ANGULAR	0.XX	Scale 3:2
Chr	-	-	0° ±°	0.XXX	ECN H09-0050
Appr	J.de Bruijn	071121	Product family	Metral	Spec ref
		Title ASSEMBLY KIT		dwg no	10076192
		METRAL HDXS CABLE CONNECTOR			Rev. D
		catalog no		CUSTOMER	sheet 2 of 4

Highest balloon number: 220  
Removed balloon numbers:

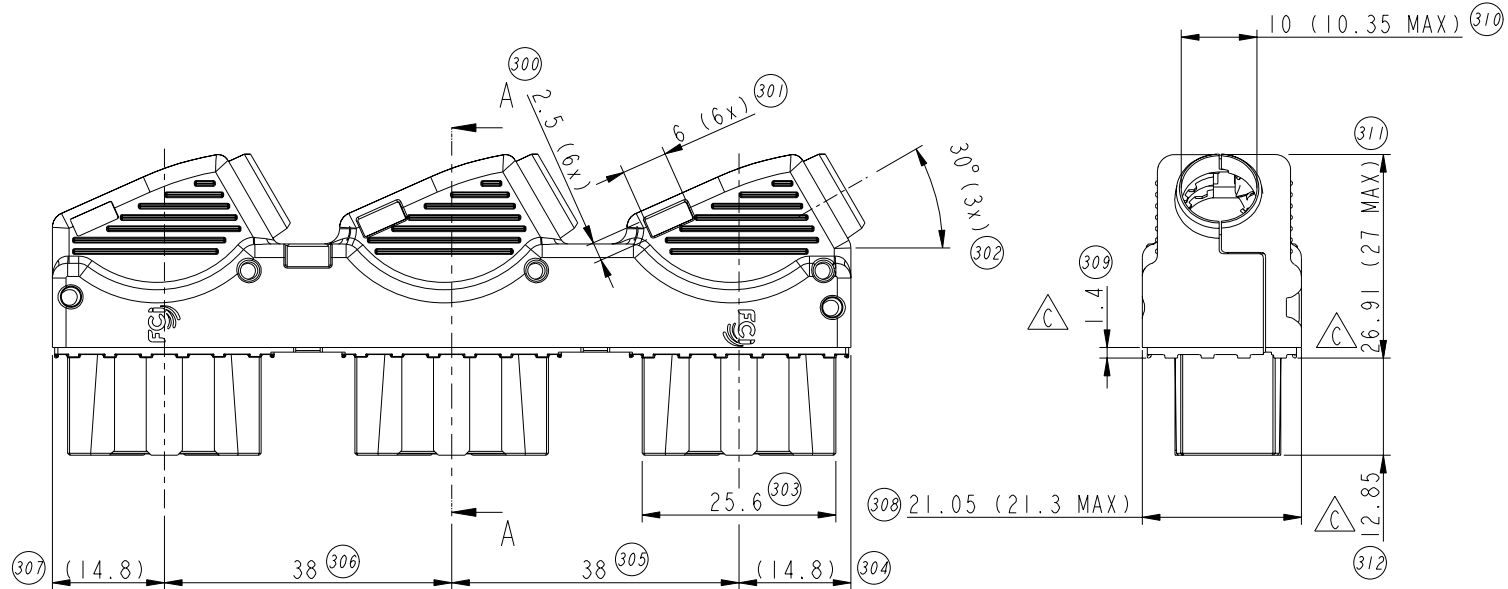
REV F - 2006-04-17

PART NUMBER:  
10076192-101LF

# BOTTOM CABLING

A

B

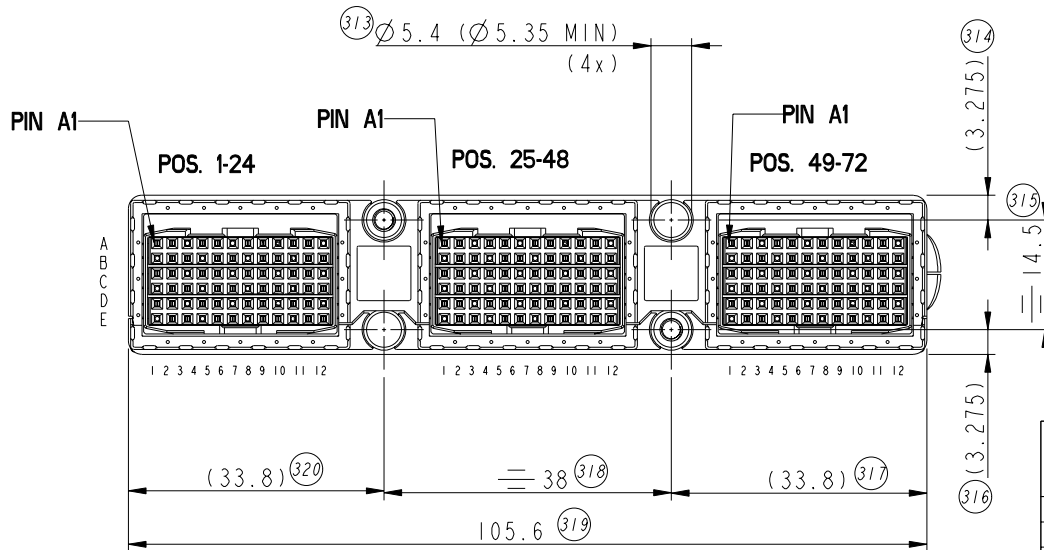


SECTION A-A

SCALE 3:2

C

D



Copyright FCI.

www.fciconnect.com		surface ISO 1302	tolerance std ISO 406 / ISO 1101	projection mm	
		TOLERANCES UNLESS OTHERWISE SPECIFIED			
Dr	P.Poorter	071121	ANGULAR	0.x	±-
Eng	J.de Bruijn	071121	LINEAR	0.xx	±-
Chr	-	-	0° ±°	0.xxx	±-
Appr	J.de Bruijn	071121	Product family	Metral	Spec ref
		title		ASSEMBLY KIT	
		title		METRAL HDXS CABLE CONNECTOR	
		catalog no		-	
		dwg no		10076192	
		Rev.		D	
		CUSTOMER		sheet 3 of 4	

Highest balloon number: 320  
Removed balloon numbers:

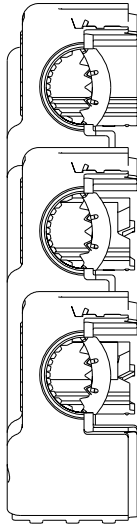
REV F - 2006-04-17

PART NUMBER:  
10076192-101LF

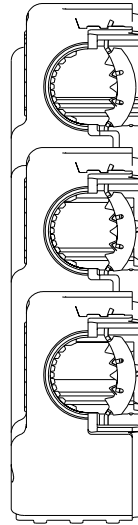
# Cable diameter and cable clamp position

Cable Clamp at pos.A  
for cable diameters  
Ø 7mm-Ø 8mm

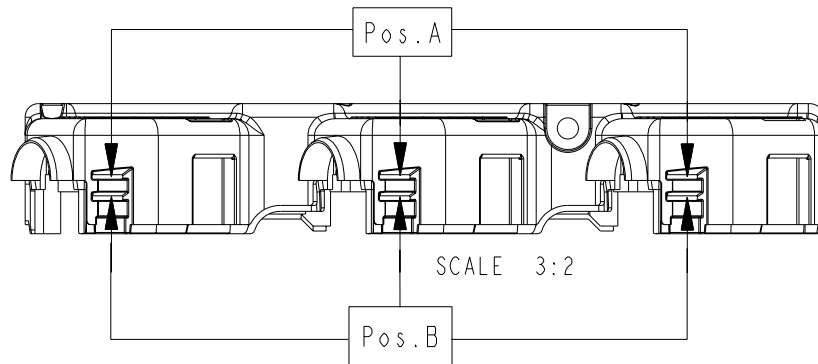
Cable Clamp at pos.B  
for cable diameters  
Ø 9mm-Ø 10mm



SCALE 3:2



SCALE 3:2



SCALE 3:2

## NOTES:

1. Product specification: GS-12-485.
2. Application specification: GS-20-091.
3. Packaging specification: GS-14-1265.
4. Performance level: Telcorida CO.
5. Flammability classification: UL94 V-0.
6. RoHS Compliant.
7. Wire size: AWG26

www.fciconnect.com		surface ISO 1302	-	tolerance std ISO 406 / ISO 1101	projection 	mm 
TOLERANCES UNLESS OTHERWISE SPECIFIED						
Dr	P.Poorter	071121	ANGULAR	0.X	±-	size A3
Eng	J.de Bruijn	071121	LINEAR	0.XX	±-	Scale 3:2
Chr	-	-	0° ±°	0.XXX	±-	ECN H09-0050
Appr	J.de Bruijn	071121	Product family	Metral	Spec ref	
	title ASSEMBLY KIT				dwg no	10076192
	METRAL HDXS CABLE CONNECTOR					Rev. D
	catalog no				CUSTOMER	sheet 4 of 4