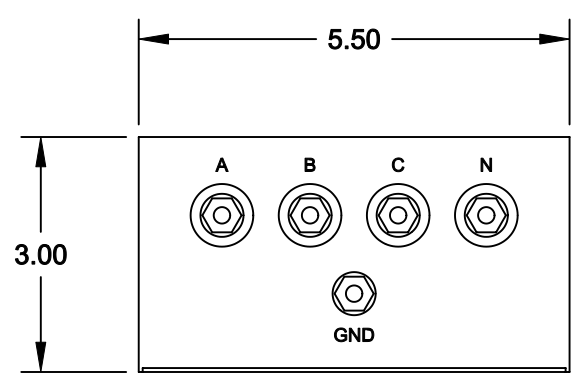
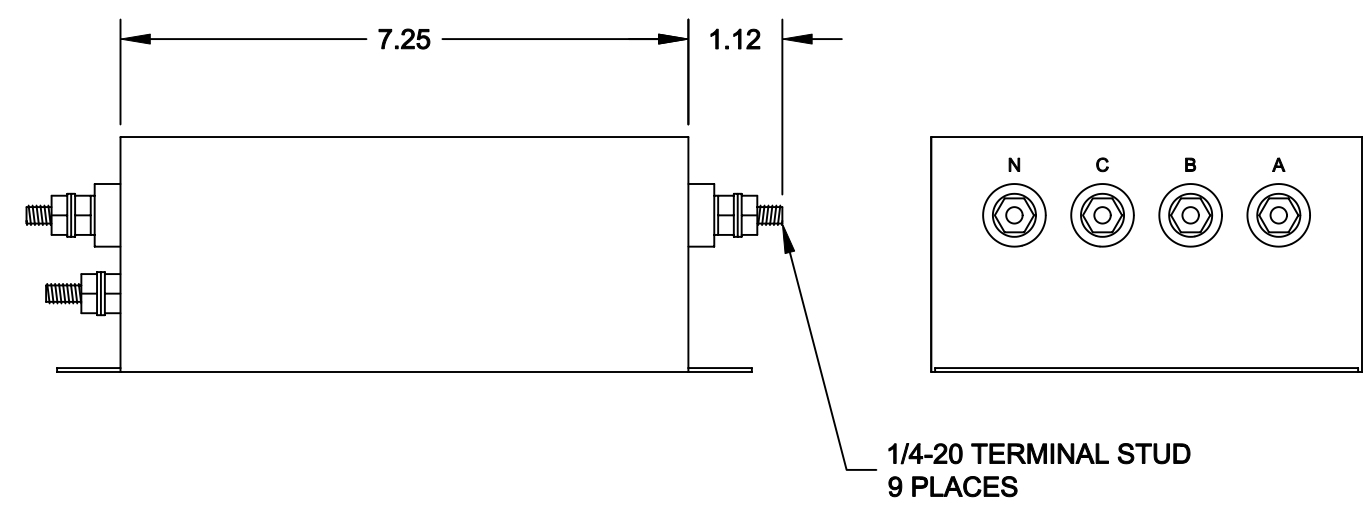
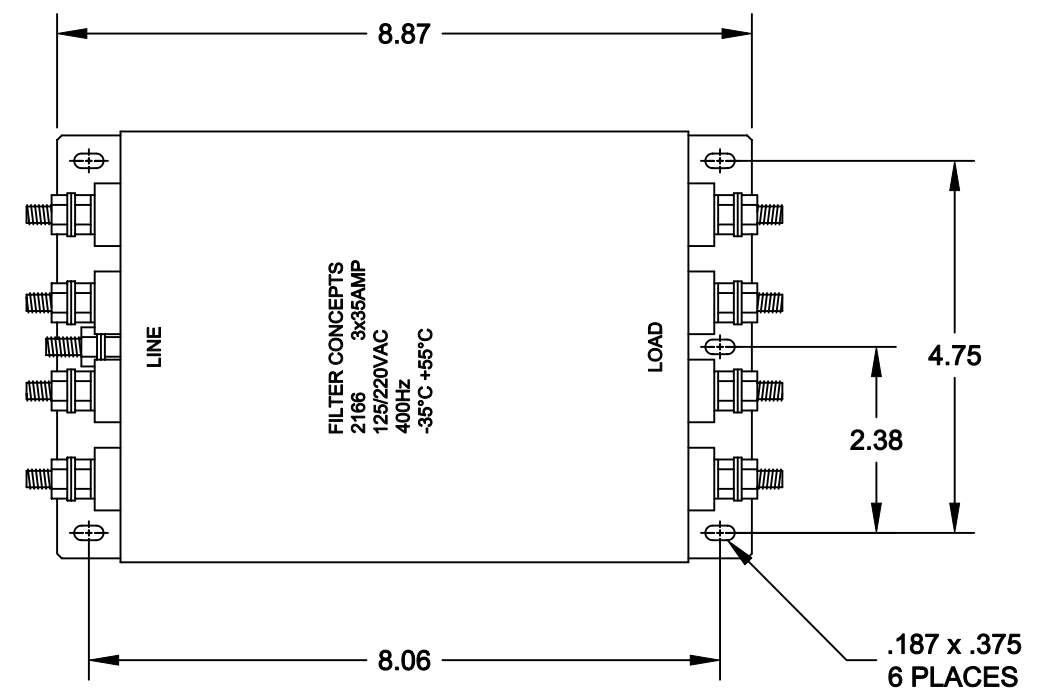


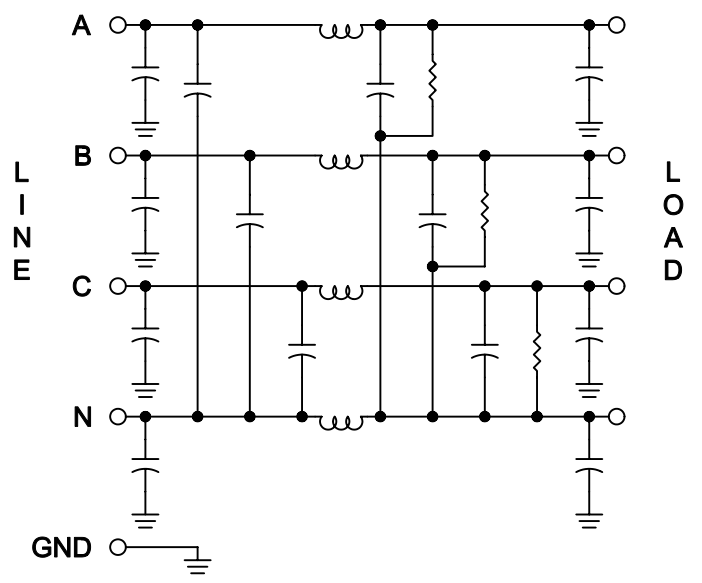
REVISION			
LTR	DESCRIPTION	DATE	APPROVED
A	INITIAL RELEASE	01-12-10	LE

SPECIFICATIONS

- CASE:
18 GA. (.048) CRS, TIN PLATED
- RATED CURRENT:
3 x 35A
- RATED VOLTAGE:
125/220VAC, 400Hz
- TEST VOLTAGE:
LINE TO NEUTRAL: 1.7KVDC
LINE TO GROUND: 2.2KVDC
- LEAKAGE CURRENT:
6.2mA MAX. @ 125VAC, 400Hz



SCHEMATIC



INSERTION LOSS (50Ω TYPICAL)

	.05 MHz	.15 MHz	.50 MHz	1.5 MHz	5.0 MHz	20 MHz
L/N	15 db	20 db	60 db	60 db	50 db	50 db
L/G	7 db	22 db	40 db	50 db	60 db	55 db

NEXT ASSY	USED ON
APPLICATION	

UNLESS OTHERWISE SPECIFIED DIMENSIONS ARE INCHES TOLERANCES ARE: FRACTIONS DECIMALS ANGLES ± .XX ±.030 ± .XXX ±.010	CONTRACT NO.	
	APPROVALS	DATE
	DRAWN DV	01-12-10
	CHECKED DV	01-12-10
MATERIAL		
FINISH		

FILTER CONCEPTS INC.

APPLICATION DRAWING
2166 FILTER

SIZE B	CODE IDENT NO.	DRAWING NO. 7128-1
SCALE 2/5	SHEET 1 OF 1	