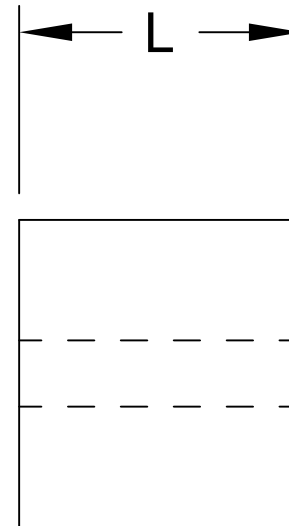
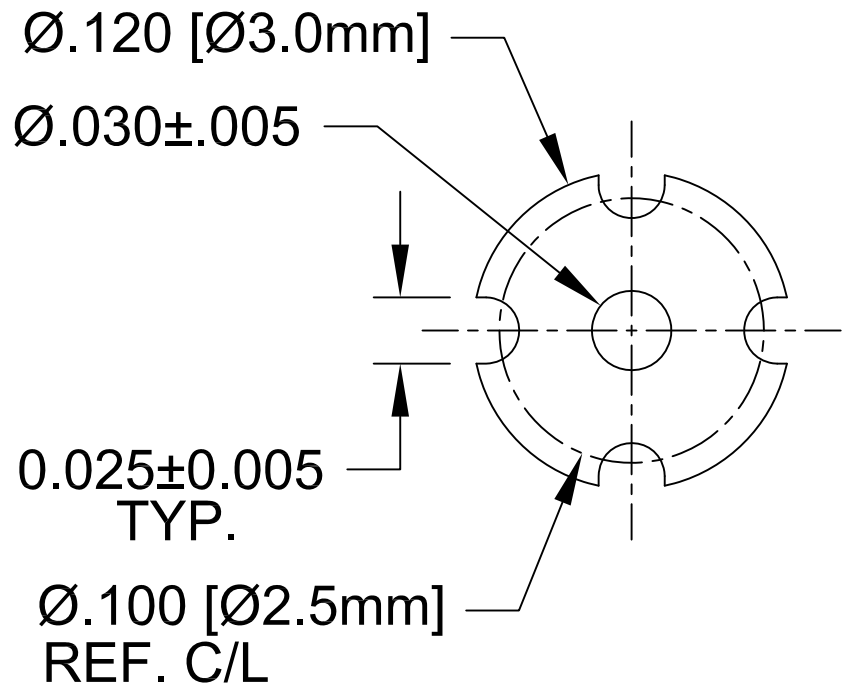


REV.	DESCRIPTION	DATE	APPROVED
E	Engineering Update w/o Changes	02/26/04	M. C.
F	Material Update	10/13/08	T.Y.


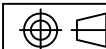


3. TOLERANCE "L" DIMENSION:

- 0.030 - 0.500 (1.0 - 12.7mm)  $\pm 0.005$  (0.1mm)
- 0.505 - 0.750 (12.8 - 19.1mm)  $\pm 0.008$  (0.2mm)
- 0.755 - 1.250 (19.2 - 31.8mm)  $\pm 0.015$  (0.4mm)

2. MATERIAL: PVC ALLOY, 94V-0, BLACK. BIVAR MATERIAL CODE 58-BK.  
 CYBERSHIELD PVC ALLOY, CS1534WX-BLK02N BLACK.

1. GENERAL SPECIFICATIONS: BIVAR EXTRUDED PRODUCT SPECIFICATION BV00-E105.

STANDARD TOLERANCE ( UNLESS OTHERWISE SPECIFIED )		 4 THOMAS, IRVINE, CA. 92618 TEL: (949) 951-8808 FAX: (949) 951-3974			
DECIMALS	ANGULAR				
.X $\pm .1$	X° $\pm 1^\circ$		<b>TITLE:</b> EXTRUDED, SELF-RETAINING LED MOUNT		
.XX $\pm .01$				<b>PART NO:</b> ELM 7	<b>REVISION:</b> F
.XXX $\pm .005$				<b>DESIGNED:</b> Shane Irving	<b>DATE:</b> 02/03/98
<b>CHECKED:</b> M. Chen	<b>DATE:</b> 12/17/02	<b>CAGE CODE :</b> 32559	<b>SHEET #</b> 1 <b>OF</b> 1		