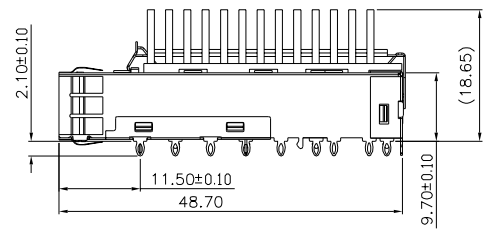
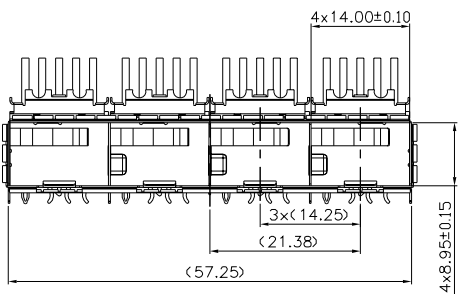
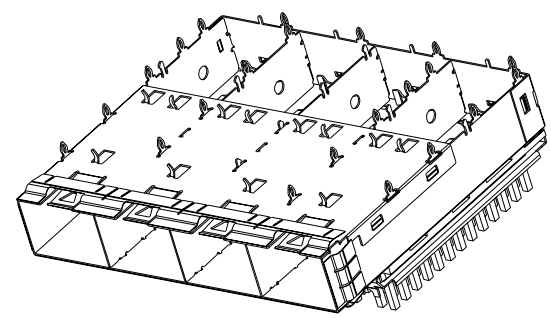
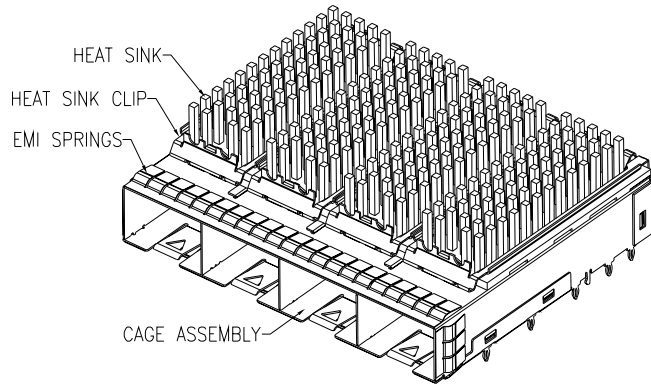
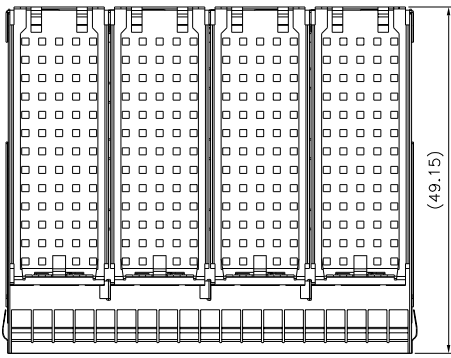


Product Number	Packaging
10126910-101LF	Tray



NOTES:

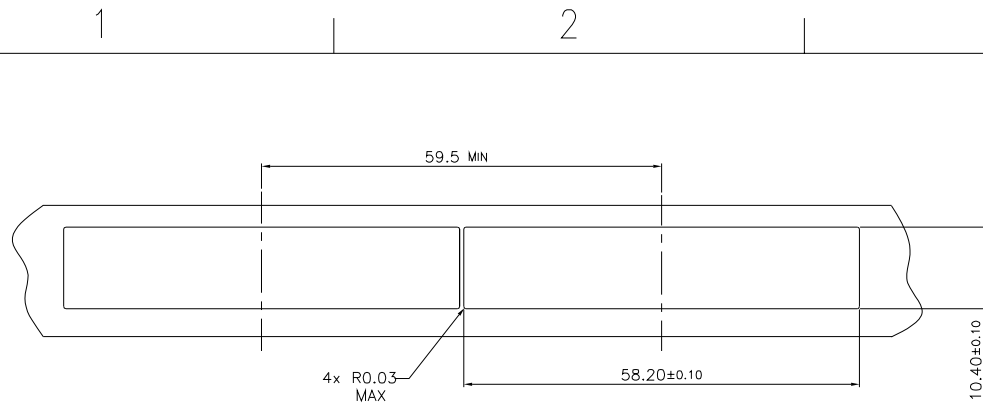
- | | | | |
|----------------|------|----------------------------|------------|
| 1, DESCRIPTION | Q'ty | MATERIAL | PLATING |
| CAGE ASSEMBLY | 1PCS | NICKEL SILVER ALLOY T=0.25 | NO PLATING |
| EMI SPRINGS | 4PCS | COPPER ALLOY T=0.08 | Ni PLATED |
| HEAT SINK | 4PCS | ALUMINIUM ALLOY | Ni PLATED |
| HEAT SINK CLIP | 4PCS | STAINLESS STEEL T=0.25 | NO PLATING |
- 2, PRODUCT SPECIFICATION: GS-12-1165
3, APPLICATION SPECIFICATION: GS-20-0384
4, PACKAGE PER GS-14-2344 AND GS-14-920



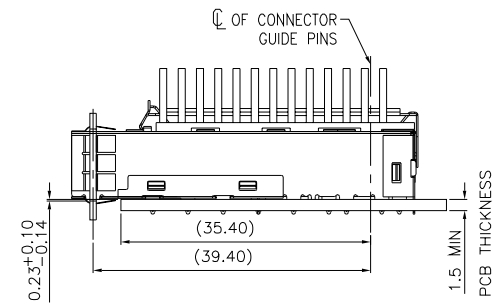
Copyright FCI.

spec ref	RELEASE	dr	Art Lin	2014-01-14	projection 	MM ←→	size	scale	
tolerance std	TOLERANCES UNLESS OTHERWISE SPECIFIED	eng	Zhen Luo	2014-01-14			A4	1:1	
ISO406		chr	Collins Lu	2014-01-15			ecn no		
ISO1101		appr	JEFFREY QIN	2014-01-15	product family	SFP+	rel level	Released	
surface	linear	0.X	±0.25		title	SFP+ 1X4 CAGE ASSEMBLY EMI SPRING TYPE PRESS FIT WITH HEATSINK	dwg no	10126910	rev
		0.XX	±0.20						
	0.XXX	±0.15	www.fci.com	cat. no.	-	Product-Customer Drw	sheet 1 of 3		
ISO1302	angular	0°						±0.5°	

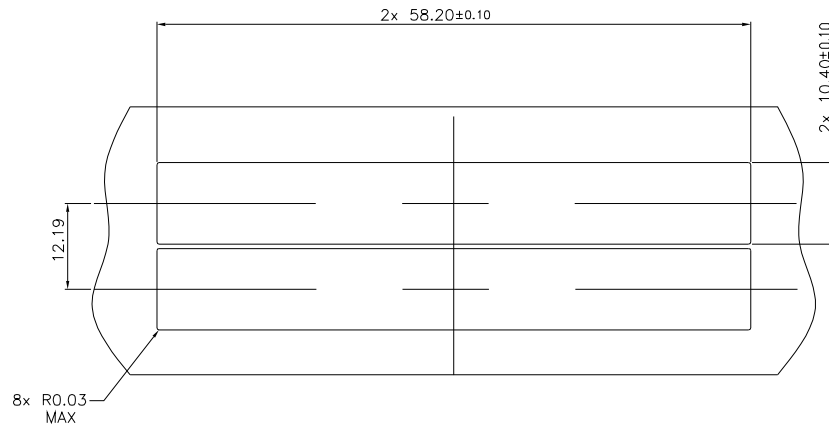
Pro/E File - REV C - 2009-06-09



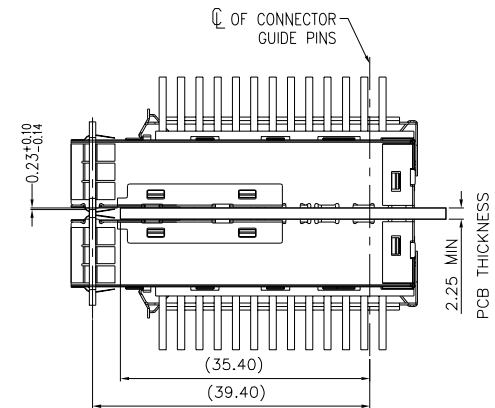
RECOMMENDED BEZEL CUT-OUT SINGLE SIDED APPLICATIONS



MOUNTED ON PC BOARD SHOWN THRU RECOMMENDED BEZEL



RECOMMENDED BEZEL CUT-OUT BELLY TO BELLY APPLICATIONS



MOUNTED BELLY TO BELLY ON PC BOARD SHOWN THRU RECOMMENDED BEZEL

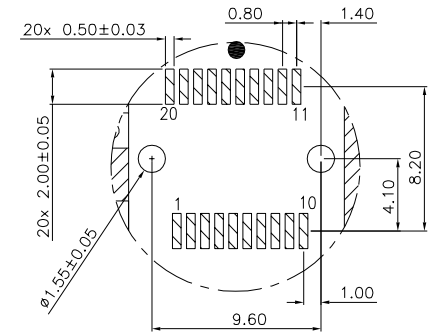
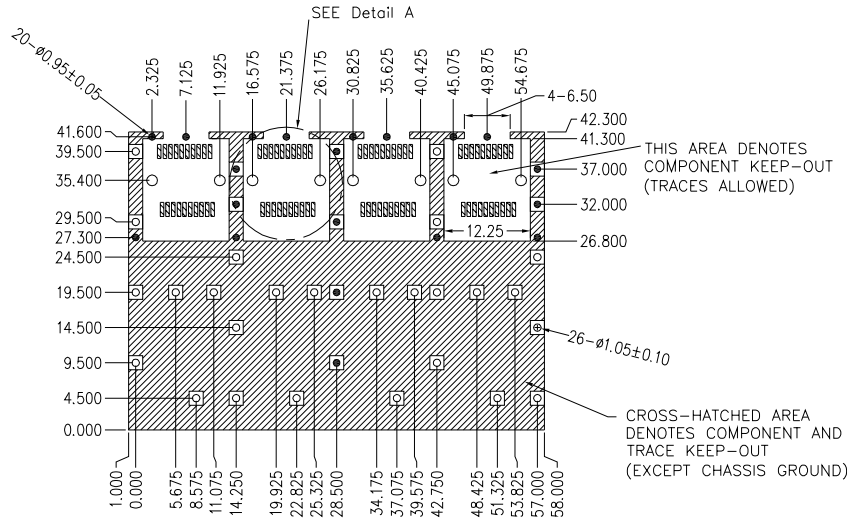


Copyright FCI.

spec ref	RELEASE			dr	Art Lin	2014-01-14	projection	size	scale		
tolerance std	TOLERANCES UNLESS OTHERWISE SPECIFIED			eng	Zhen Luo	2014-01-14				MM	A4
ISO406				chr	Collins Lu	2014-01-15	←→	ecn no			
ISO1101				appr	JEFFREY QIN	2014-01-15		product family	SFP+	rel level	Released
surface	linear	0.X	±0.25	FCI	title	SFP+ 1X4 CAGE ASSEMBLY EMI SPRING TYPE PRESS FIT WITH HEATSINK		dwg no	10126910		rev
		0.XX	±0.20								
0.XXX	±0.15										
ISO1302	angular	0°	±0.5°	www.fci.com	cat. no.	-	Product-Customer Drw	sheet 2 of 3			

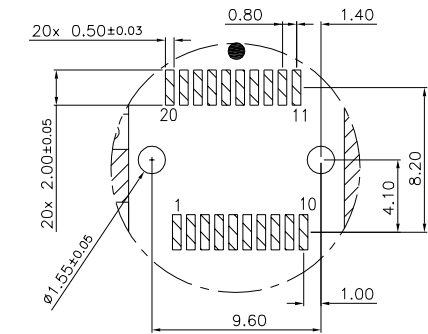
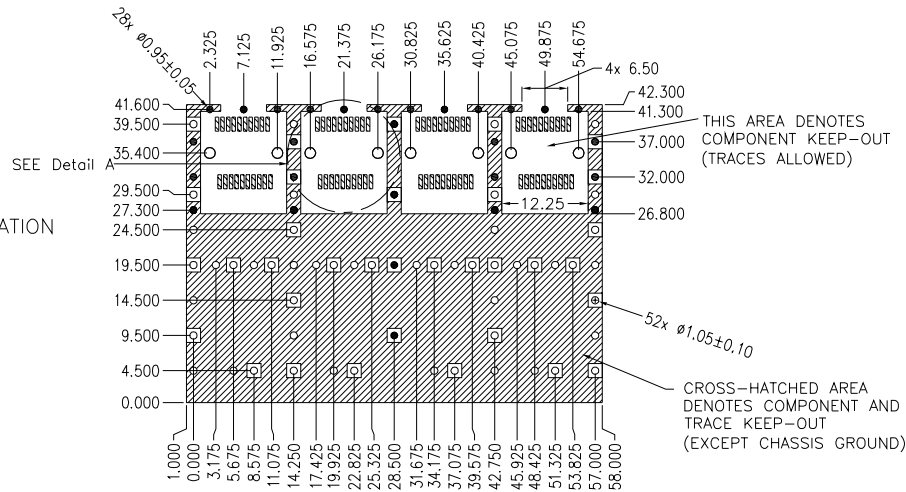
Pro/E File - REV C - 2009-06-09

RECOMMENDED PCB CONFIGURATION
WITH KEEP-OUT AREAS
SINGLE SIDED APPLICATIONS



Detail A
SCALE 2.5:1

RECOMMENDED PCB CONFIGURATION
WITH KEEP-OUT AREAS
BELLY TO BELLY APPLICATIONS



Detail A
SCALE 2.5:1



Copyright FCI.

spec ref	RELEASE			dr	Art Lin	2014-01-14	projection	size	scale	
tolerance std	TOLERANCES UNLESS OTHERWISE SPECIFIED			eng	Zhen Luo	2014-01-14		A4	1:1	
ISO406				chr	Collins Lu	2014-01-15		product family	SFP+	ecn no
ISO1101	appr	JEFFREY QIN	2014-01-15	rel level		Released				
surface	linear	0.X	±0.25		title			dwg no	10126910	rev
		0.XX	±0.20							
ISO1302	angular	0°	±0.5°		EMI SPRING TYPE PRESS FIT WITH HEATSINK					
www.fci.com				cat. no.	-				Product-Customer Drw	sheet 3 of 3