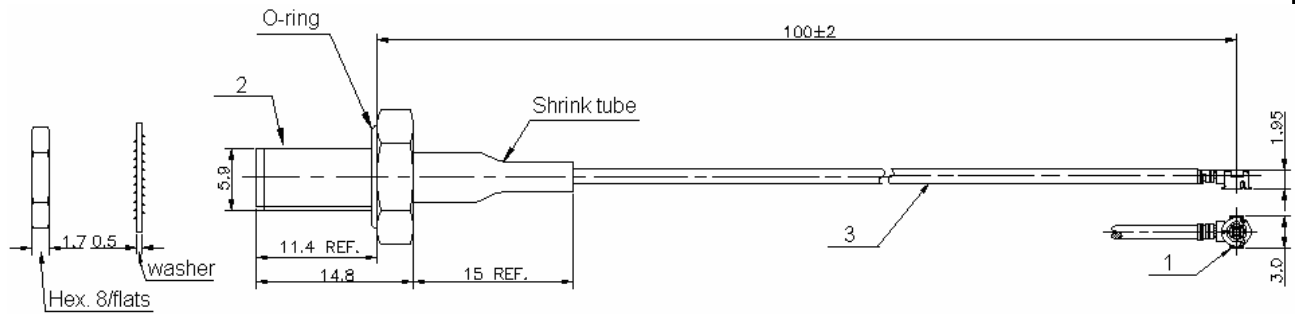


**PLUG MML H2.5-JACK SMA BULKHEAD PANEL SEALED**

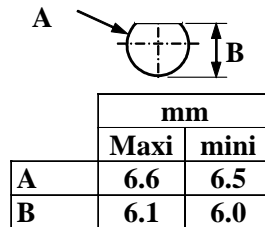
**R302.255.001**

**CABLE 1.33/50S-BR, LENGTH 10CM**

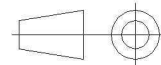
Series : MML



**PANEL CUT OUT**



All dimensions are in mm.



- \* 1 \* Connector A : **MML H2.5 PLUG(gold plated)**
- \* 2 \* Connector B : **SMA JACK BULKHEAD PANEL SEALED(gold plated)**
- \* 3 \* Cable : **1.33/50S BLACK**

**ELECTRICAL CHARACTERISTICS**

Impedance	<b>50 Ω</b>
Frequency	<b>0-3 GHz</b>
Operating temperature	<b>-40/+90 ° C</b>
VSWR	<b>1.5 + 0,000 x F(GHz) Maxi</b>
Insertion loss	<b>0.3 √F(GHz) dB Maxi</b>
Voltage rating	<b>250 Veff Maxi</b>
Dielectric withstanding	<b>300 Veff mini</b>
Insulation resistance	<b>500 MΩ mini</b>

**SPECIFICATION**

Weight	<b>4,9000 g</b>
Cable retention	<b>19.6 N mini</b>
Mating life	<b>30 cycles</b>
Others :	

