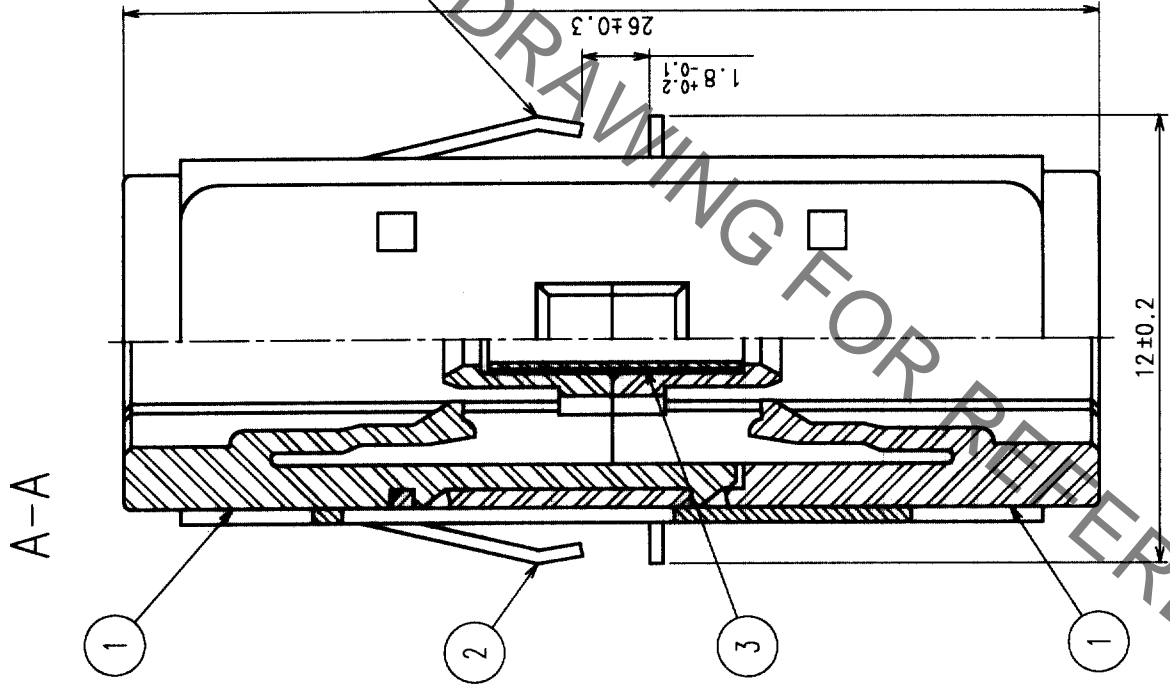
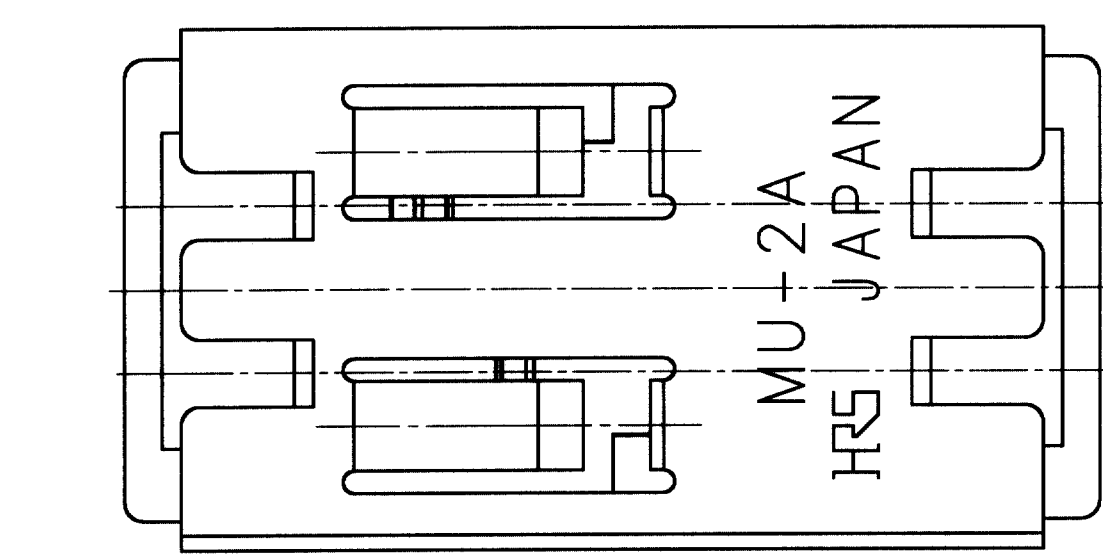
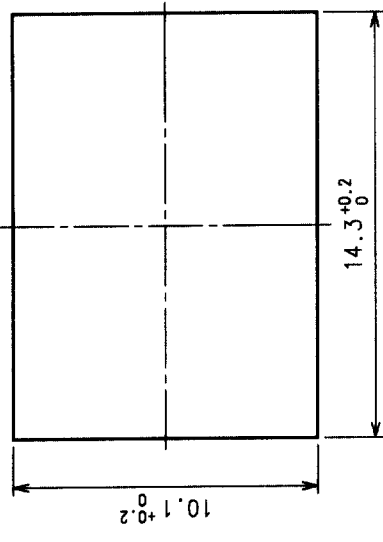


In case of consideration for using Automotive equipment / device which demand high reliability, kindly contact our sales window correspondents.

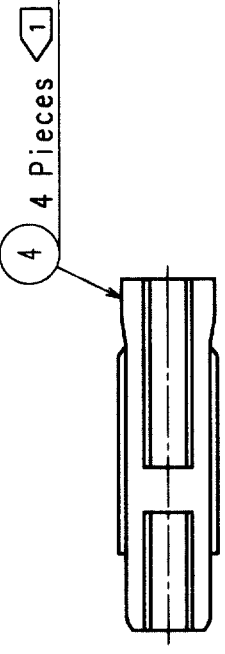
COUNT	DESCRIPTION OF REVISIONS	BY	CHKD	DATE	COUNT	DESCRIPTION OF REVISIONS	BY	CHKD	DATE
△					△				
△					△				
△					△				



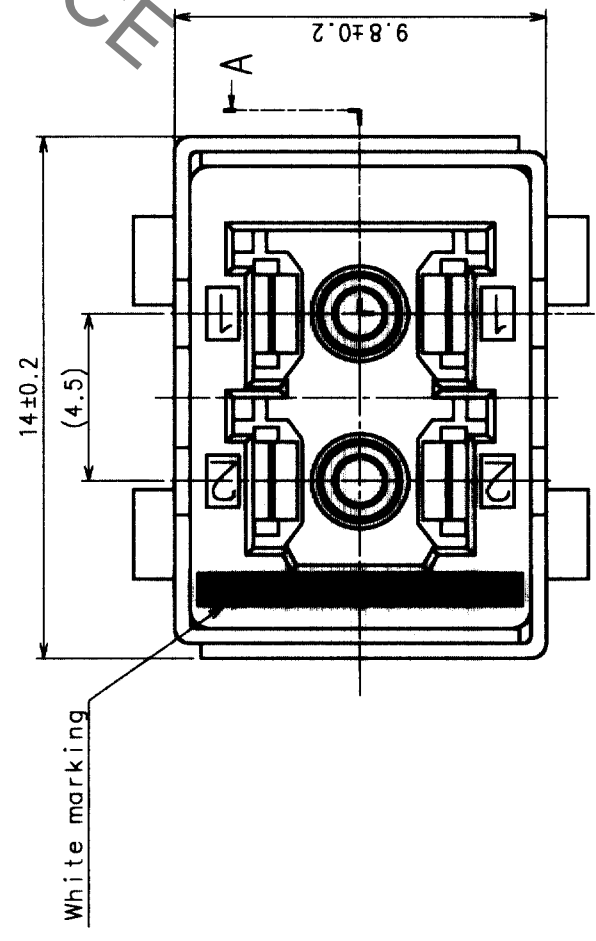
Recommended Panel Cutout
(Panel Thickness t=1.6mm)



(2:1)



NOTE ① Delivered with cap installed.



2	Stainless Steel		4	Synthetic Resin	Color: White
1	Synthetic Resin		3	Zirconia	
NO.	MATERIAL	FINISH, REMARKS	NO.	MATERIAL	FINISH, REMARKS
CODE NO. (OLD)			DRAWN	DESIGNED	CHECKED
			M. Shiba	M. Shiba	M. Seno
			02.04.08	02.04.08	02.04.08
DRAWING NO.		PART NO.			
EDC3-174978		HMUA-2A-4			
SCALE	5 : 1	CODE NO.	CL710-0187-8		
UNITS	mm				

TO			
----	--	--	--