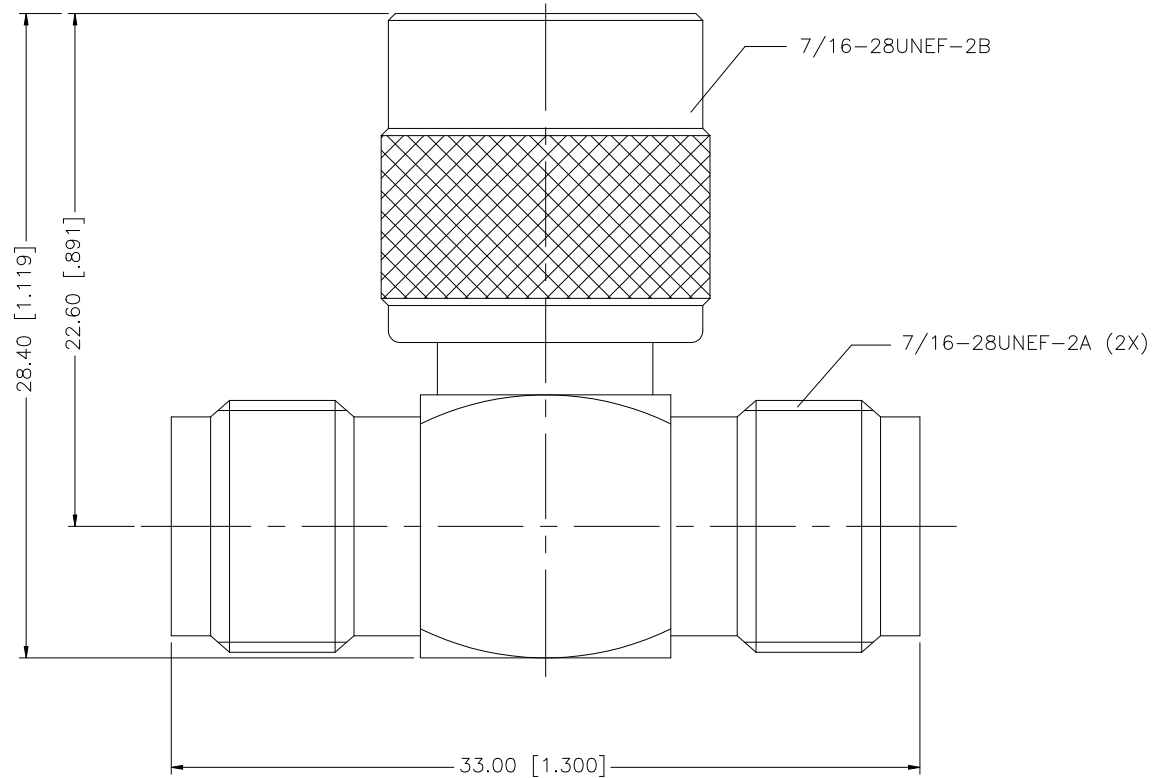


| REV. | DATE | ECR NO. | DESCRIPTION |
|------|----------|---------|-----------------|
| NC | 11/25/08 | - | INITIAL RELEASE |



| | | | | UNLESS OTHERWISE SPECIFIED DIMENSIONS ARE IN MILLIMETERS. DIMENSIONS IN [] ARE IN INCHES AND FOR CUSTOMER REFERENCE ONLY. | APPROVALS | DATE | Amphenol Connex | | | | |
|---|---------------|--------------|---------|--|----------------------|--------|------------------------|---------------------------|--------|----------|----------|
| 8 | | | | | DRAWN | GRS | | | | | 11/25/08 |
| 7 | | | | | CHECKED | | | PART NO. 122356 | | | |
| 6 | | | | | ISSUED | | | | | | |
| 5 | CONTACT PIN | BRASS | GOLD | 1 | SHEET | 1 OF 1 | | REV. NC | SIZE A | SCALE NA | |
| 4 | CONTACT PIN | PHOS. BRONZE | GOLD | 1 | CAD FILE | | C:/122/122356.DWG | | | | |
| 3 | INSULATOR | DELRIN | NATURAL | 2 | DO NOT SCALE DRAWING | | | | | | |
| 2 | BODY | BRASS | NICKEL | 1 | | | | | | | |
| 1 | SHELL/HOUSING | BRASS | NICKEL | 1 | | | | | | | |