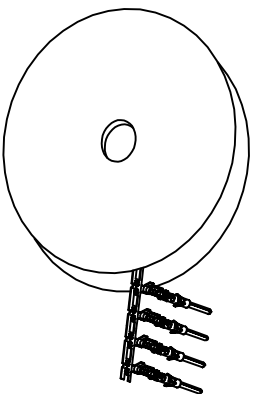


REVISIONS				
REV	ECO	DESCRIPTION	DATE	BY APPR
A1	-	RELEASED DRAWING	Jul-16-18	Flan Tommy



CONTACT ORIENTATION ON ROLL(3000PCS/COIL)

NOTES : (UNLESS OTHERWISE SPECIFIED)
 1. MATERIAL :

- 1.1. CONTACT BODY : COPPER ALLOY.
- 1.2. OUTER SPRING : STAINLESS STEEL.

2. SPECIFICATIONS :

- 2.1 CURRENT RATING : 13A MAX.
- 2.2 TERMINATION TYPE : CRIMPING.
- 2.3 WIRE RANGE : 18~16AWG.
- 2.4 WIRE INSULATION DIA(MAX) : ϕ 3.2mm.

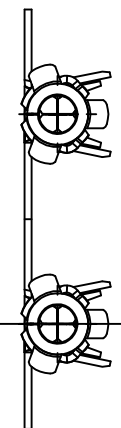
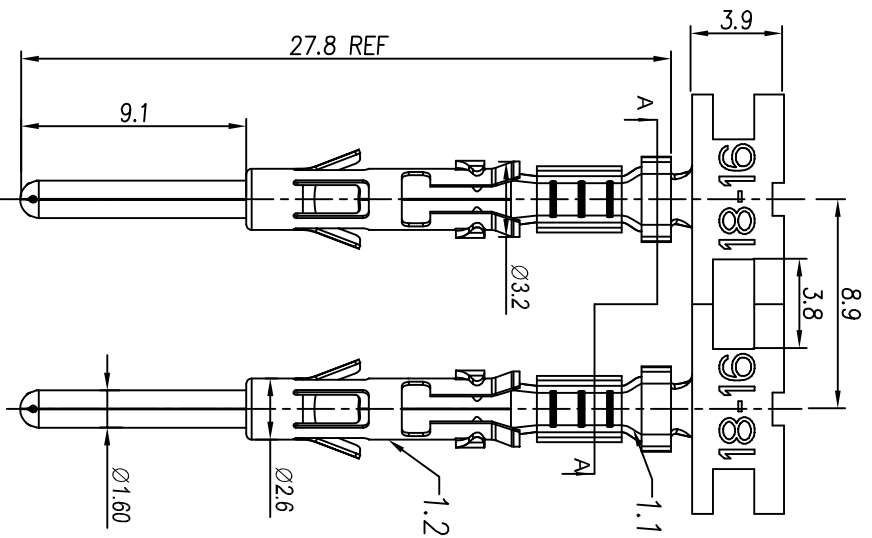
3. RoHS COMPLIANT.

4. ALL DIMENSIONS ARE FOR REFERENCE USE ONLY.

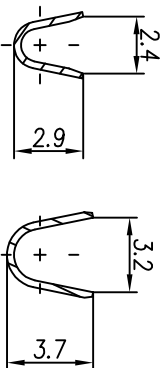
5. AVAILABLE TOOLS :

- 5.1 HAND CRIMPER : MFX-3954.
- 5.2 CRIMP APPLICATOR : MFX-3957.
- 5.3 EXTRACTION TOOL : QXRT16.

P/N	CONTACT PLATING(MATING AREA)
SP16M2T	TIN PLATING OVER NICKEL.
SP16M2N	NICKEL PLATING OVER COPPERIZE.
SP16M2F	GOLD FLASH PLATING OVER NICKEL.
SP16M2G5	5 μ "GOLD PLATING OVER NICKEL.
SP16M2G10	10 μ "GOLD PLATING OVER NICKEL.
SP16M2G15	15 μ "GOLD PLATING OVER NICKEL.
SP16M2G30	30 μ "GOLD PLATING OVER NICKEL.



QUANTITY	PART NUMBER	DESCRIPTION	ITEM
MATERIALS LIST			
UNLESS OTHERWISE SPECIFIED 1) All dimensions are in millimeters. 2) Tolerances are as follows: 1 PL, DEC & 0.30 Fractions & 1/4 3 PL, DEC & 0.08 3) Note reference = \triangle		SIGNATURES	DATE
PROCESS SPECIFICATIONS:		DRAWN: Flan	Jul-16-18
MATERIAL SPECIFICATIONS:		CHECKER: Jod	Jul-16-18
TEST SPECIMENS SUPERSEDES ALL PREVIOUS TEST SPECIMENS. SPECIFICATIONS AND PERFORMANCE DATA OF REPRODUCTION ARE LIAISED. ALL MANUFACTURING VARIATIONS.		ENGINEER: Tommy	Jul-16-18
CUSTOMER: Amphenol		APPROVAL: Tommy	Jul-16-18
ECONOMATE PIN CONTACT, STAMPED, 18-16AWG, SIZE 16		Sine Systems - www.amphenol-sine.com 44724 Morley Drive Clinton Township, MI 48036	
SCALE: NONE	SIZE: B	TYPE: C-	DWG NO: SP16M2XX
REVISION: A1	SHEET: 1 OF 1		



SECTION A-A