

PAX-324

24" FHD Surgical Monitor



Features

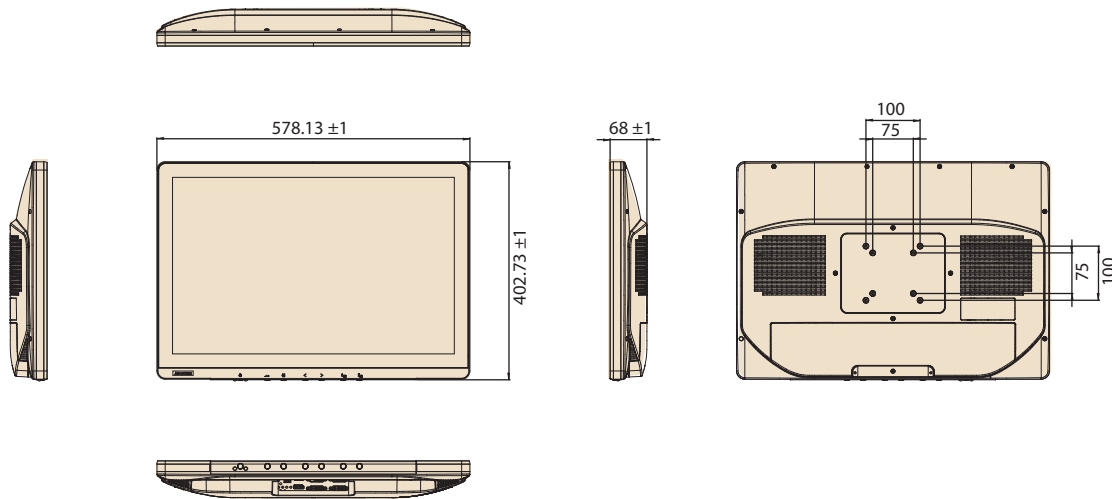
- True Flat Design with AR Filter
- High Brightness and High Contrast Ratio
- FHD Resolution (1920 x 1200)
- HDMI 2.0, DP 1.2, DVI, RGB Support Up to 1920 x 1200 @ 60 Hz
- SDI Support Up to 1920 x 1080 @ 60Hz
- Multi-Standard Video System Supported: NTSC, PAL, SECAM
- Video Enhancement features including:
 - 14-bit LUT processing
 - DICOM Part 14 GSDF Compliant
 - DICOM, Clear, Blue modes support
- Optional upgrade to IP-based monitor with AVAS

Specifications

| | | | |
|--------------------------|--|---------------------------------------|---|
| LCD | Screen Size | 24.1" (518.4 x 324.0 mm) | |
| | Resolution | 1920 x 1200 | |
| | Aspect Ratio | 16:10 | |
| | Pixel Pitch | 0.270 x 0.270 mm | |
| | Viewing Angle | 178°/ 178° | |
| | Contrast Ratio (Typ.) | 1000 : 1 | |
| | Native Luminance (Typ.) | 350 cd/m ² | 900 cd/m ² |
| | Color Depth | 8-bit 16.7M Colors | 10-bit 1.07B Colors |
| | Display Mode | AH-IPS | AHVA |
| | Response Time | 14ms (G to G) | 14ms (Tr + Tf) |
| | Touchscreen | Optional 10-point PCAP | |
| Input | DP 1.2 Input | DP Jack x 1 | DisplayPort 1.2, 1920 x 1200 @ 60 Hz max. |
| | HDMI 2.0 Input | HDMI Jack x 1 (Type A) | Digital RGB: TMDS, 1920 x 1200 @ 60 Hz max. |
| | DVI Input | DVI Jack x 2 (Type D) | Digital RGB: TMDS, 1920 x 1200 @ 60 Hz max. |
| | SDI1 Input | BNC Jack x 1 | Serial Input Common Mode: 2.2 Vp-p (75 Ω); 1920 x 1080 @ 60 Hz max. |
| | S-Video Input | Mini DIN Jack x 1 (4-pin) | Y: 1 Vp-p (75 Ω), C: 0.286 Vp-p (75 Ω) [NTSC] Y: 1 Vp-p (75 Ω), C: 0.300 Vp-p (75 Ω) [PAL / SECAM] |
| | Video Input | BNC Jack x 1 | 1 Vp-p (75 Ω) [NTSC / SECAM] |
| | USB Up | USB-B Jack x 1 | For Optional Touchscreen |
| | RS-232C | D-Sub Jack x 1 | Service Port |
| DC Power Input | DC Jack x 1 | DC 24 V, 4.16 A | |
| Optional Input | RGB Input | D-sub x 1 | PAX-324-C2B-NAS, PAX-324-C2B-HAS, and PAX-324-C2B-HAR |
| | Audio Input | Audio Jack x 1 | PAX-324-C2B-NAS, PAX-324-C2B-HAS, and PAX-324-C2B-HAR |
| | AVAS NDcoder | SPF+ Module x 1 LAN RJ-45 Jack x 1 | PAX-324-C2F-NAS and PAX-324-C2F-HAS |
| | SDI2 Input | BNC Jack x 1 | By Request Only |
| Output | DVI Output | DVI Jack x 2 (Type D) | Digital RGB: TMDS, 1920 x 1200 @ 60 Hz max. |
| | SDI1 Output | BNC Jack x 1 | Serial Input Common Mode: 2.2 Vp-p (75 Ω); 1920 x 1080 @ 60 Hz max. |
| | S-Video Output | Mini DIN Jack x 1 (4-pin) | Y: 1 Vp-p (75 Ω), C: 0.286 Vp-p (75 Ω) [NTSC] Y: 1 Vp-p (75 Ω), C: 0.300 Vp-p (75 Ω) [PAL / SECAM] |
| | Video Output | BNC Jack x 1 | 1 Vp-p (75 Ω) [NTSC / PAL / SECAM] |
| | DC Power Output | DC Jack x 1 | DC 5 V or DC 12 V |
| Optional Output | Audio Output | Audio Jack x 1 | PAX-324-C2B-NAS, PAX-324-C2B-HAS, and PAX-324-C2B-HAR |
| | SDI2 Output | BNC Jack x 1 | By Request Only |
| Environment | Temperature | Operational | 0 ~ 40 °C |
| | | Storage | -20 ~ 60 °C |
| | Humidity | Operational | Ta = 40 °C, 90% RH non-condensed |
| | | Storage | 5 ~ 90% |
| Pressure | Operational | 500 hPa to 1013 hPa | |
| | Storage | 500 hPa to 1013 hPa | |
| Power | Rating | DC 24 V, 4.16 A max. | |
| | Consumption (Typ.) | 65 W max. | |
| Physical Characteristics | IP Ratings | Front IP65 / Top IPX1 | |
| | VESA Mount | 100 x 100; 75 x 75 mm | |
| | Dimension (W x D x H) | 578.13 x 68 x 402.78 mm | |
| | Weight | 7.20 ~ 7.85 kg | |
| Certifications | CE MDD 93/42/EEC (EN60601-1; EN60601-1-2), RoHS II | | |
| Warranty | 3 Years | | |
| Accessories | Power Adapter | | |

Dimensions

Unit: mm



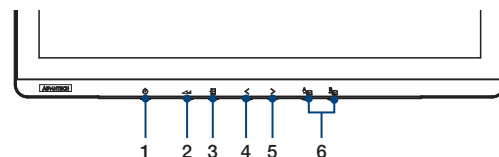
Ordering Information

| Part Number | Brightness | Optional | Touchscreen | Weight |
|-----------------|-----------------------|-----------|-------------|---------|
| PAX-324-C2B-NAS | 350 cd/m ² | RGB/Audio | - | 7.20 kg |
| PAX-324-C2B-HAS | 900 cd/m ² | RGB/Audio | - | 7.50 kg |
| PAX-324-C2B-HAR | 900 cd/m ² | RGB/Audio | PCAP | 7.60 kg |
| PAX-324-C2F-HAS | 900 cd/m ² | AVAS | - | 7.85 kg |

Optional Items

| Part Number | Description |
|--------------------|---|
| 1702002605 | Power Cord (Europe) 1.8M |
| 1702002600 | Power Cord (USA) 1.8M |
| 1700018704 | Power Cord (UK) 1.8M |
| XKT-HPU101-P09B139 | Power Adapter AC/DC 100-240V 100W 24V DIN 4PIN MEDICAL |

Front Function Keys



1. POWER button/indicator
2. ENTER/MENU button
3. EXIT/INPUT button
4. LEFT button
5. RIGHT button
6. PiP INPUT select buttons
 - A. Main input
 - B. Sub input