

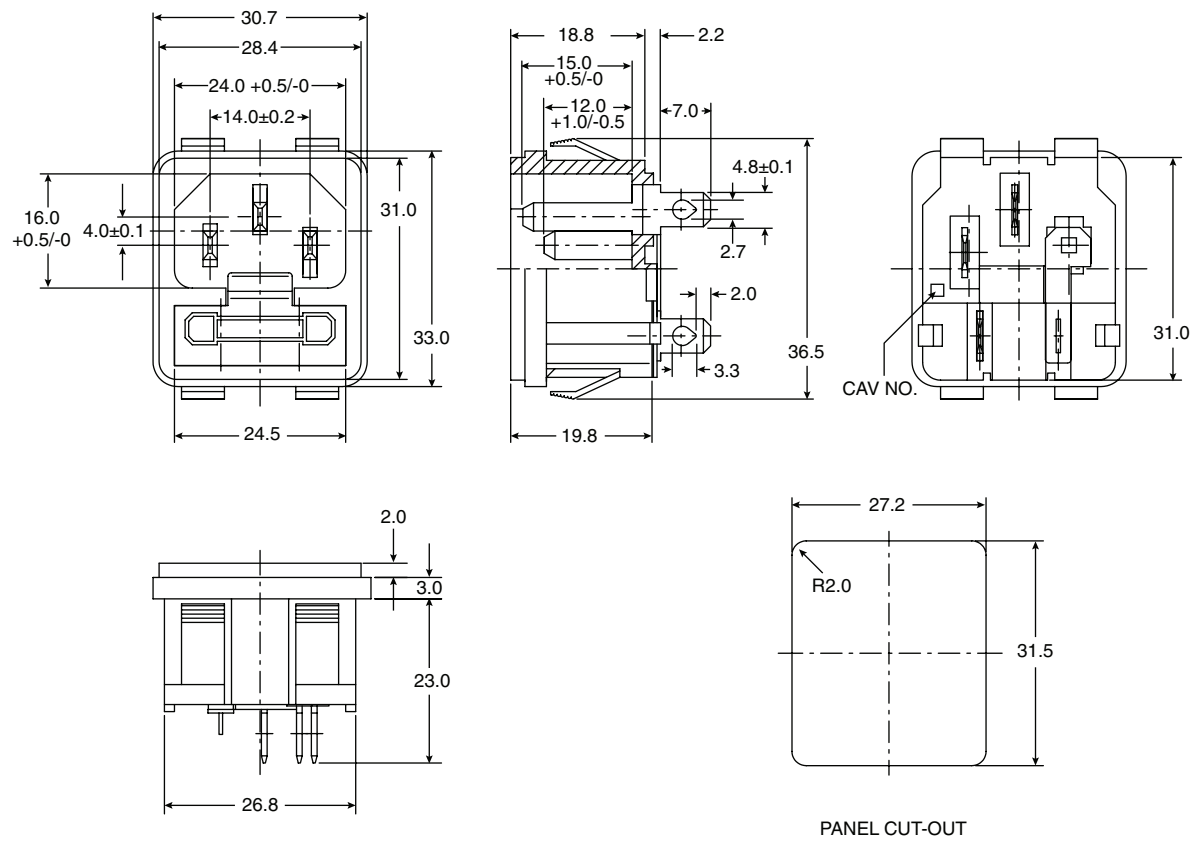
Inlet With 5x20mm Fuse Holder

161-R3014-E



Inlet With 5x20mm Fuse Holder

161-R3014-E



Dimensions: mm

SPECIFICATIONS	
Rating:	10A, 250VAC
Insulation Resistance:	100MΩ Min.
Dielectric Strength:	2000V Min
Fuseholder:	Suitable for 5x20mm Fuse
Panel Thickness:	0.8mm ~ 3.0mm
RoHS Compliant	

Tolerance
X.XX±0.1
XX.XX±0.2
XXX.XX±0.3

MATERIALS	
Housing:	Nylon 66
Contacts:	Bronze Sn Plating

Date Last Revised: 6/29/12

Available from Mouser Electronics
1-800-346-6873 / www.mouser.com

KC- 301196

Specifications are subject to change without notice. No liability or warranty implied by this information. Environmental compliance based on producer documentation.