

NOTES:

1. MATERIALS AND FINISHES:
 BODY AND BAYONET SLEEVE - BRASS, NICKEL PLATING
 OUTER CONTACT - BeCu, NICKEL PLATING
 CONTACT - PHOSPHOR BRONZE, GOLD PLATING
 FERRULE - COPPER, NICKEL PLATING
 INSULATOR - PTFE
2. ELECTRICAL:
 A. IMPEDANCE: 50 OHM
 B. FREQUENCY RANGE : DC - 6 GHz
 C. RETURN LOSS : 30 dB MIN FROM DC - 3 GHz
3. MECHANICAL:
 A. DURABILITY: 500 CYCLES MIN.
4. ENVIRONMENTAL:
 A. THERMAL SHOCK PER MIL-STD-202 METHOD 107
 TEST CONDITION B (EXCEPT HIGH TEMP @200°C)
 B. VIBRATION: MIL-STD-202 METHOD 204 TEST
 CONDITION B
 C. SHOCK: MIL-STD-202 METHOD 213 TEST
 CONDITION B
 D. CORROSION: MIL-STD-202 METHOD 101
 TEST CONDITION B 5% SALT SOLUTION
 E. SEALING: IP-67 IN MATED CONDITION

5. PACKAGING:
 A. QUANTITY: SINGLE PACK
 B. MARKING: BAG TO BE MARKED:
 "AMPHENOL RF, 34-5017 DATE CODE"
6. HIGH DENSITY INSTALLATION/REMOVAL TOOL: 227-T2000
7. CABLE ASSEMBLY INSTRUCTIONS:
 A. TRIM CABLE AS SHOWN.
 B. SLIDE INSULATOR DISC ONTO CABLE.
 C. SOLDER CONTACT TO CABLE CENTER CONDUCTOR.
 D. INSERT CONTACT AND CABLE INTO CONNECTOR
 UNTIL CONTACT BOTTOMS INSIDE OF CONNECTOR.
 E. CRIMP FERRULE WITH .213" HEX.
 F. APPLY HEAT SHRINK TUBING OVER FERRULE.
 G. HEAT SHRINK TUBING SHOULD FULLY (360 DEG) COVER
 THE BUMP ON BODY AND END WITHIN AREA "A"

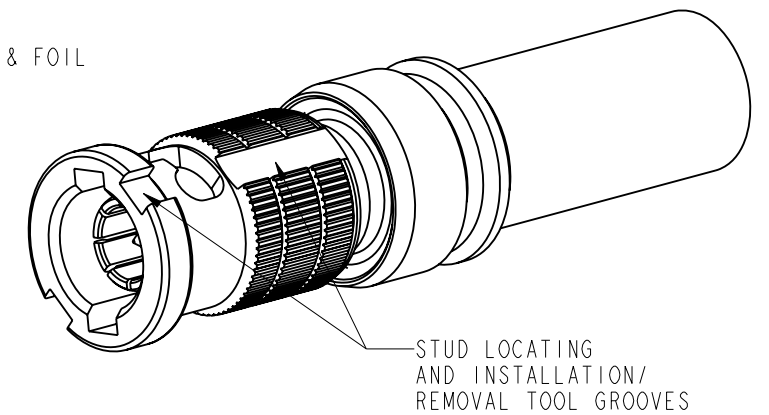
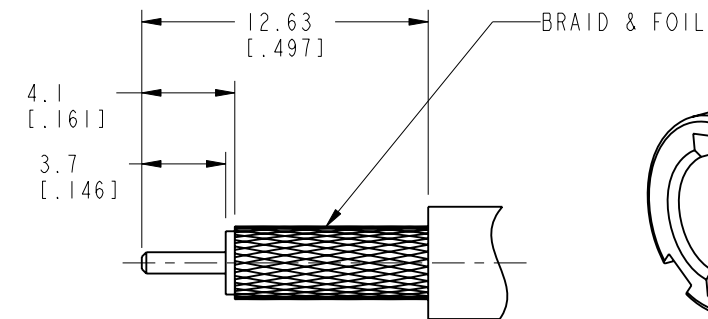
8. SHOWS CABLE ENTRY DIMENSIONS.

9. ADHESIVE LINED HEAT SHRINK TUBE IS INCLUDED (NOT SHOWN)

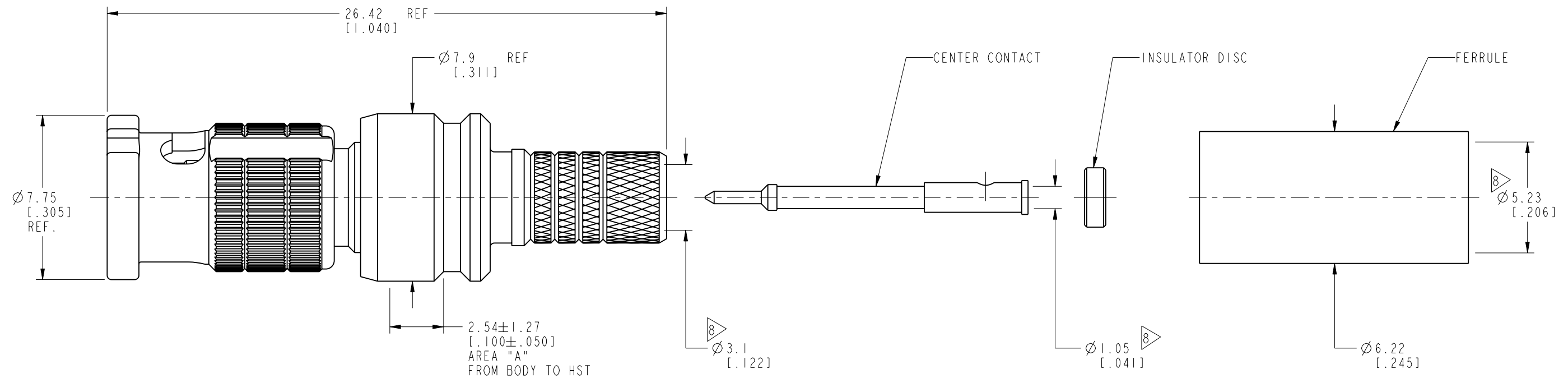
THIRD ANGLE PROJ.

REVISIONS

REV	DESCRIPTION	DATE	ECO	APPR
A	RELEASE TO MFG.	10-Oct-12	49202	TD



RECOMMENDED CABLE STRIPPING DIMENSIONS



CUSTOMER OUTLINE DRAWING

ALL OTHER SHEETS ARE FOR INTERNAL USE ONLY

UNLESS OTHERWISE SPECIFIED, DIMENSIONS ARE IN METRIC AND TOLERANCES ARE: <0.5mm ± 0.05mm 0.5 - 6mm ± 0.1mm 6 - 30mm ± 0.2mm 30 - 120mm ± 0.3mm ANGLES ± 1°	MATERIAL	DRAWN	DATE	TITLE 50 OHM HD BNC STR PLUG FOR LMR 195-UF CABLE IP-67 IN MATED CONDITION	Amphenol RF www.amphenolrf.com
	SEE NOTES	T. DENG	10-Oct-12		
NOTICE - These drawings, specifications, or other data (1) are, and remain the property of Amphenol corp. (2) must be returned upon request; and (3) are confidential and not to be disclosed to any person other than those to whom they are given by Amphenol Corp. the finishing of these drawings, specifications, or other data by Amphenol Corp., or to any other person to anyone for any purpose is not to be regarded by implication or otherwise in any manner licensing, granting rights to permitting such holder or any other person to manufacture, use or sell any product, process or design, patented or otherwise, that may in any way be related to or disclosed by said drawings, specifications, or other data.	REFERENCE	ENGINEER	DATE	SCALE: 5.0:1.0 SHEET 2 OF 2	DRAWING NO. 34-5017 ITEM NO. 34-5017 PART NO. 34-5017
	EAR # 5027	T. SMITH	16-Nov-11		
	CONFIGURATION LEVEL:	APPROVED	DATE		DWG SIZE
FINISH	S. HSIEH	10-Oct-12		B	A