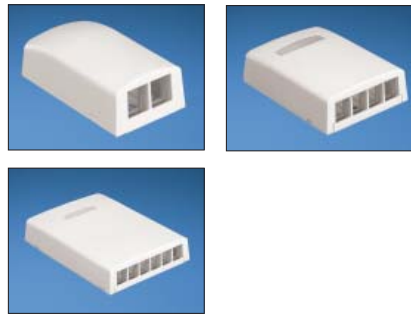


NetKey™ Surface Mount Boxes

Surface mount boxes shall have a low profile design and shall be available in a variety of port densities. Boxes shall accept all NetKey™ Keystone Modules for fiber, copper, and audio/video applications. The boxes shall mount with screws, adhesive, or optional magnets and shall include breakouts for use with surface raceway. Cable tie slots shall be included to provide strain relief on incoming cables.



NetKey™ Surface Mount Boxes*

| | |
|----------------|------------|
| 2-port: | NK2BXIW-A |
| 4-port: | NK4BXIW-AY |
| 6-port: | NK6BXIW-AY |

Accessories

| | |
|-------------------------------|----------|
| Screw cover: | CSC*-X |
| Label/label cover kit: | CSGLLC-L |
| Magnet: | CBM-X |

*For standard colors other than IW (Off White), replace suffix with EI (Electric Ivory), WH (White), IG (International Gray), or BL (Black).

technical information

| | |
|--------------------------|--|
| Mounting options: | Mounts easily with screws, adhesive tape, or optional magnet |
| Material: | Box is made of ABS |

key features and benefits

| | |
|--------------------------------|--|
| Modular | Accepts all NetKey™ Keystone Modules which snap in and out for easy moves, adds, and changes |
| Low profile design | Presents a more discreet or inconspicuous look |
| Raceway breakouts | Compatible with specific surface raceway, conceals cable entering the box |
| Cover screw | Select boxes provide a screw that secures the cover to the base |
| Labels and label covers | Select boxes include a label pocket to meet TIA/EIA-606B labeling standards |
| Magnet pockets | Accept magnets for mounting on metal surfaces; NK2BX*-A, NK4BX*-AY |

| Part Number | Compatible Raceway | No. of Adhesive Strips | No. of Cable Ties | Label/Label Cover Included | Mounting Screws Included | Magnet Pockets |
|-------------|-----------------------------------|------------------------|-------------------|----------------------------|--------------------------|----------------|
| NK2BX | LD3, LDP3, LD5, LDP5 | 1 | 1 | No | Yes | 1 |
| NK4BX | LD3, LDP3, LD5, LDP5, LD10, LDP10 | 2 | 2 | Yes | Yes | 2 |
| NK6BX | LD3, LDP3, LD5, LDP5, LD10, LDP10 | 2 | 2 | Yes | Yes | None |

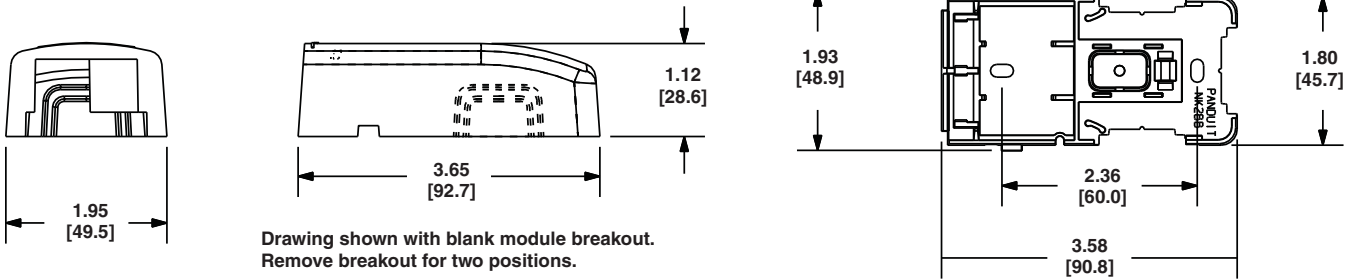
applications

NetKey™ Surface Mount Boxes offer a variety of mounting options, allowing NetKey™ Keystone Modules to be mounted on a variety of surfaces, such as standard walls, metal surfaces, office furniture, etc. Surface mount

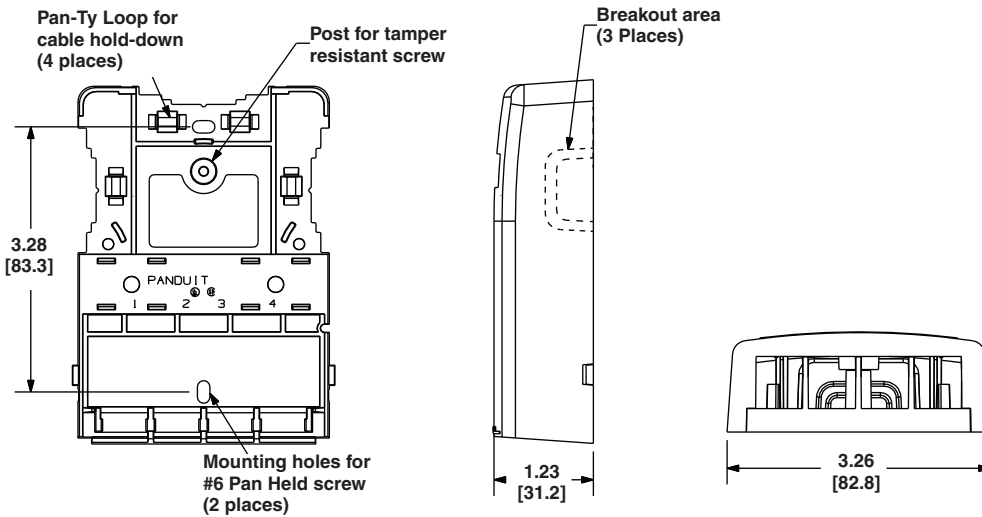
boxes include breakouts compatible with Panduit's Surface Raceway system to conceal and allow cable to run into the box providing a point of connection for voice, video, and data applications.

NetKey™ Surface Mount Boxes

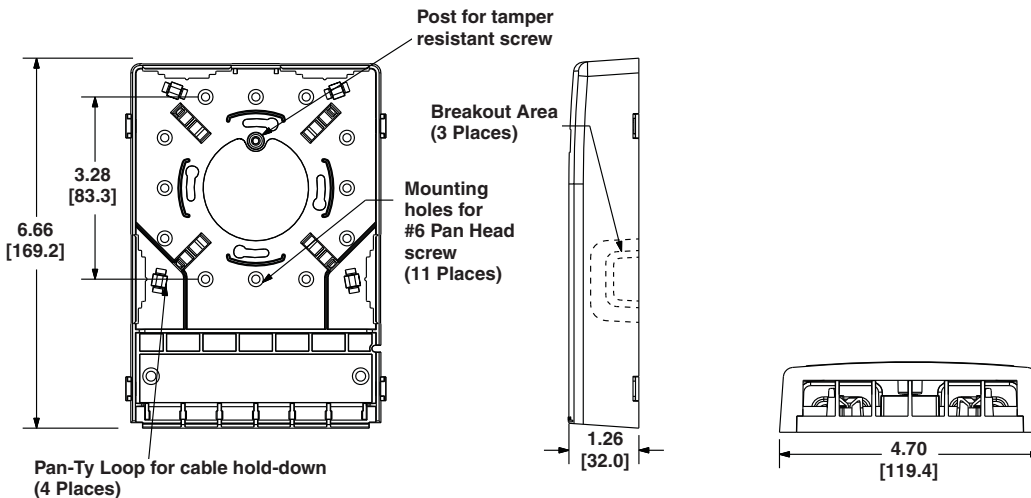
2-Port Surface Mount Box NK2BXIW-A



4-Port Surface Mount Box NK4BXIW-AY



6-Port Surface Mount Box NK6BXIW-AY



Dimensions are in inches. [Dimensions in brackets are metric].

WORLDWIDE SUBSIDIARIES AND SALES OFFICES

PANDUIT CANADA
Markham, Ontario
cs-cdn@panduit.com
Phone: 800.777.3300

PANDUIT EUROPE LTD.
London, UK
cs-emea@panduit.com
Phone: 44.20.8601.7200

PANDUIT SINGAPORE PTE. LTD.
Republic of Singapore
cs-ap@panduit.com
Phone: 65.6305.7575

PANDUIT JAPAN
Tokyo, Japan
cs-japan@panduit.com
Phone: 81.3.6863.6000

PANDUIT LATIN AMERICA
Guadalajara, Mexico
cs-la@panduit.com
Phone: 52.33.3777.6000

PANDUIT AUSTRALIA PTY. LTD.
Victoria, Australia
cs-aus@panduit.com
Phone: 61.3.9794.9020

For a copy of Panduit product warranties, log on to www.panduit.com/warranty

For more information

Visit us at www.panduit.com

Contact Customer Service by email: cs@panduit.com
or by phone: 800.777.3300 and reference

PANDUIT®

©2014 Panduit Corp.
ALL RIGHTS RESERVED
NKDS45--WW-ENG
3/2014