

Thermofit® Molded Parts Specification Control Drawing

Part Number: 102A981
Description: Switch Cover

Notes:

- All dimensions are in $\frac{\text{Inches}}{[\text{Millimeters}]}$
- Dimensions appearing in table are as follows:
a - as supplied
b - after unrestricted recovery
- Coating is optional. As supplied dimensions appearing in table are for uncoated parts. When coating is added, entry diameters will be reduced by .06 max.
- This part fits MS 24523 switch or equivalent shaped bat handle switch.
- Standard color is grey. Other colors available upon request.

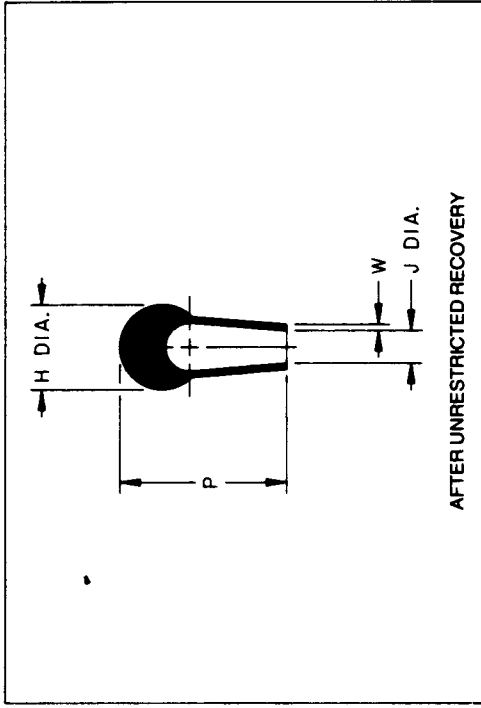
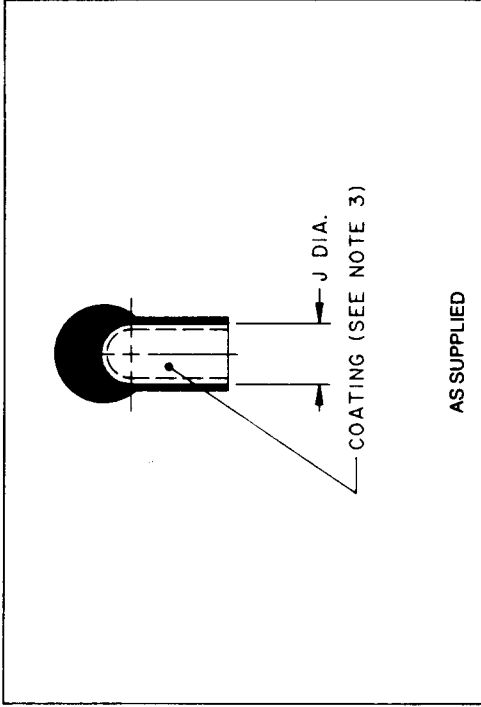


Table of Dimensions

Part Number	H $\pm 10\%$ b	J		P $\pm 10\%$ b	W $\pm 20\%$ b	Weight Nom [1.0]
		Min a	Max b			
102A981	$\frac{.42}{[10.7]}$	$\frac{.29}{[7.4]}$	$\frac{.18}{[4.6]}$	$\frac{.80}{[20.3]}$	$\frac{.03}{[0.76]}$	$\frac{.002}{[1.0]}$

Raychem
Raychem Corporation
300 Constitution Drive
Menlo Park, California 94025
415) 361 6055

Revision: **B**
Date: **3-8-90**

Part Number: 102A981
Description: Switch Cover

Thermofit® Molded Parts Specification Control Drawing

Part Number: 102A981
Description: Switch Cover

Compatibility Chart					
Material Dash No.	Material Description	RT Spec	Coating Slash No.	Coating S No.	Coating Description
- 3	Polyolefin, Semi-Rigid	RT-301	/42	S-1017	Adhesive

Ordering Information:

102A981 — X — XX / XX

Base part number _____

Material dash number _____
(see compatibility chart)

Modification number _____
(if necessary, see front of SCD binder
for a complete modification list)

Adhesive slash number _____
(if necessary, see compatibility chart)

This drawing is subject to change without notice; consult your nearest field representative for current revision.

Raychem
Raychem Corporation
300 Constitution Drive
Menlo Park, California 94025
415) 361 6055

Revision: **B**
Date: **3-8-90**

Part Number: 102A981
Description: Switch Cover

Mouser Electronics

Authorized Distributor

Click to View Pricing, Inventory, Delivery & Lifecycle Information:

[TE Connectivity:](#)

[102A981-3/42-8](#)