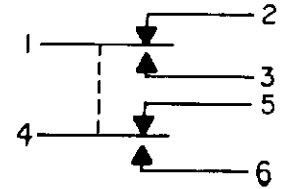


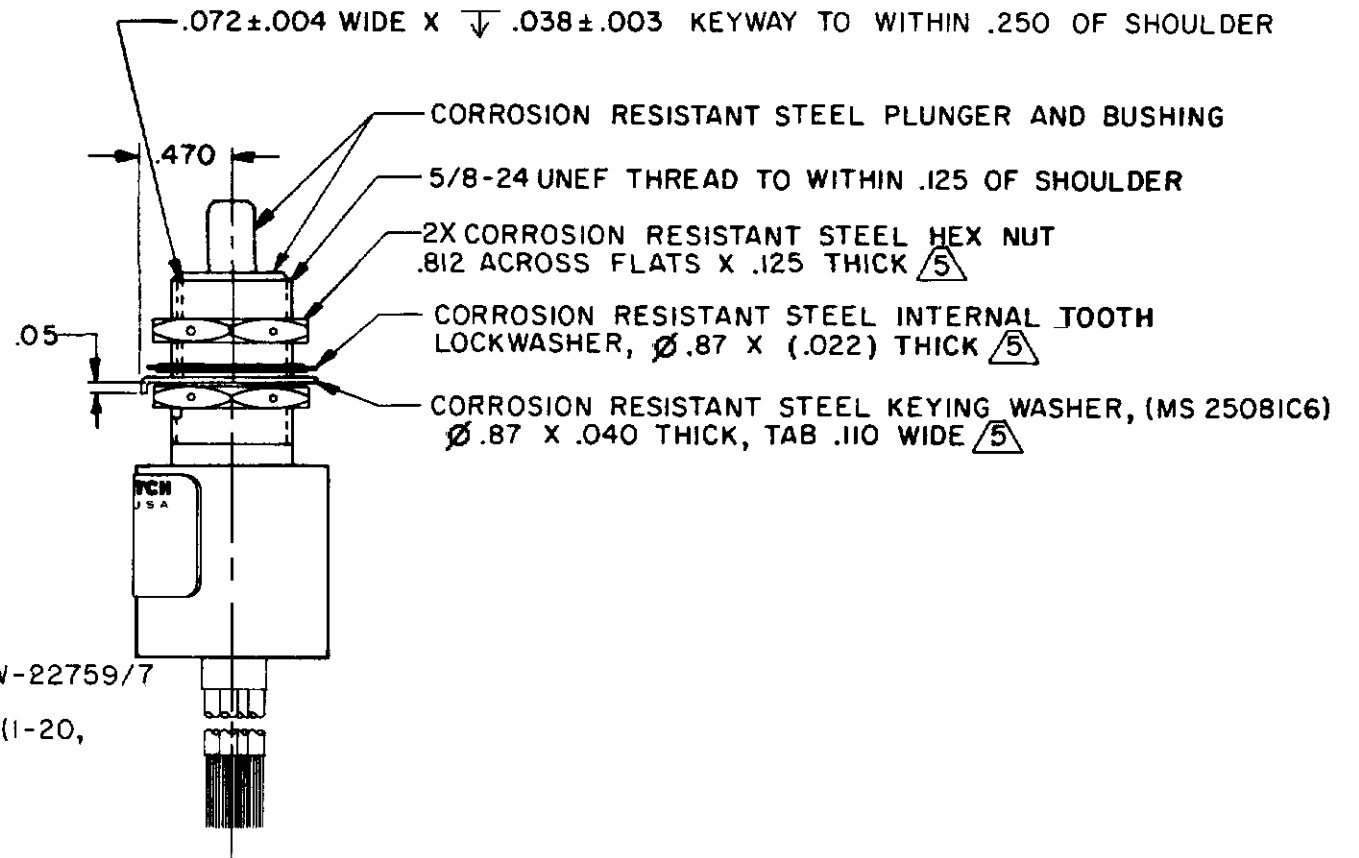
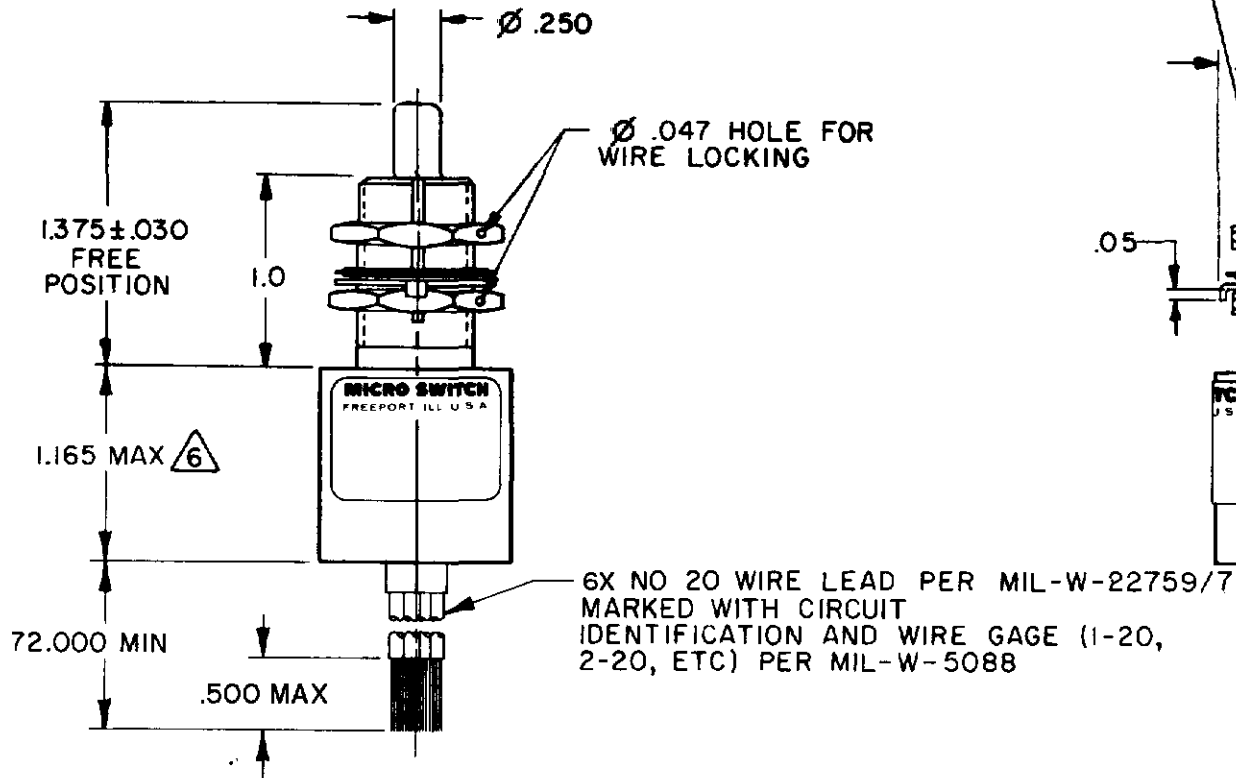
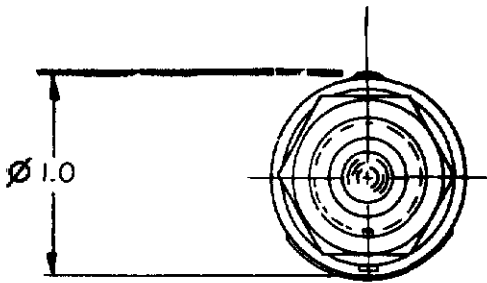
MICRO SWITCH
 FREEPORT ILLINOIS U.S.A.
 A DIVISION OF HONEYWELL
 FED MFG CODE 91929

SWITCH - ENCLOSED

CATALOG LISTING
1EN1-6B



CIRCUIT DIAGRAM



NOTES

- 1 - CORROSION RESISTANT STEEL ENCLOSURE
 - 2 - SWITCH SEALED PER MIL-PRF-8805 SYMBOL 4
 - 3 - CIRCUIT DIAGRAM, DATE CODE, FED. MFG. CODE AND CATALOG LISTING ARE SHOWN ON NAMEPLATE
 - 4 - COINCIDENCE OF OPERATING AND RELEASING POINTS: .010 OF PLUNGER TRAVEL
- HARDWARE MAY BE PACKAGED UNASSEMBLED PER MIL-PRF-8805
 THIS DIMENSION EXCLUDES THE RESILIENT POTTING MATERIAL ON THE BOTTOM OF SWITCH

ANSI Y14.5M-1982 APPLIES

THIS DRAWING COVERS A PROPRIETARY ITEM AND IS THE PROPERTY OF MICRO SWITCH, A DIVISION OF HONEYWELL. THIS DRAWING IS NOT TO BE COPIED OR USED WITHOUT THE APPROVAL OF MICRO SWITCH

THIRD ANGLE PROJECTION

SCALE FULL

DO NOT SCALE PRINT

TOLERANCES
 APPLY TO DESIGN UNITS. CONVERSIONS ARE ONLY FOR REFERENCE UNLESS NOTED. TOLERANCES ARE 2

	mm	TOL	mm/in	in	TOL
NO PLACES	x	1/64	x x	0.005	0.005
ONE PLACE	x x	0.4/0.16	x x	0.005	0.005
TWO PLACES	x x x	0.13/0.08	x x x	0.005	0.005
THREE PLACES	x x x x	0.13/0.08	x x x x	0.005	0.005
ANGLES					

DESIGN UNITS SI METRIC US CUSTOMARY

RAW MATERIAL - COMMERCIAL STANDARD
 MICRO SWITCH STANDARDS APPLY

DIMENSIONS ARE TO BE MET BEFORE PROTECTIVE COATINGS ARE APPLIED

WEIGHT 7.5 OZ MAX

CHARACTERISTICS	
OPERATING FORCE	6-12 LB
FULL OVERTRAVEL FORCE	30 LB MAX
RELEASE FORCE	4 LB MIN
PRETRAVEL	.040 MAX
DIFFERENTIAL TRAVEL	.020 MAX
OVERTRAVEL	.250 MIN

ELECTRICAL DATA		
CONTACT ARRANGEMENT		
2X S P D T		
28 VDC		
LOAD	SEA LEVEL	50,000 FT.
RES	4	4
IND	2	2
MOTOR	4	
LAMP		

1EN1-6B
 PAGE 1 OF 1
 M
 DRAWING NUMBER
 2223
 ISSUE
 REVISIONS
 A 44351 PART 5 C E B 2 JAN 79
 B 0047573 J A P 4 AUG 80
 C 51725-D CO 14 DEC 98
 D C086712 T J O 19 DEC 89
 E C074101 G J W 30 JAN 91
 F 77800 S A D 17 MAY 94
 G 94005 P P F 14 DEC 98
 H 206065 D L T 7 AUG 02
 RASTER
 FD 32851-A
 DRAWN
 CEB 2 JAN 79
 CHECK
 DWJ 12 JAN 79
 JAF 14 DEC 98
 CHECK
 REPLACES
 SR-5202