

MICRO SWITCH
a Honeywell Division

FED. MFG. CODE 91929

PACKET

CATALOG LISTING

2PA19

THIS DRAWING COVERS A PROPRIETARY ITEM AND IS THE PROPERTY OF MICRO SWITCH, A DIVISION OF HONEYWELL. THIS DRAWING IS NOT TO BE COPIED OR USED WITHOUT THE APPROVAL OF MICRO SWITCH.

DRAWING NUMBER

ISSUE

RELEASE NO. PR-19629

REPLACES

2PA19

M

1

CHECK

CHECK

CHECK

CHECK

CHECK

CHECK

CHECK

CHECK

CHECK

CHECK

CHECK

CHECK

CHECK

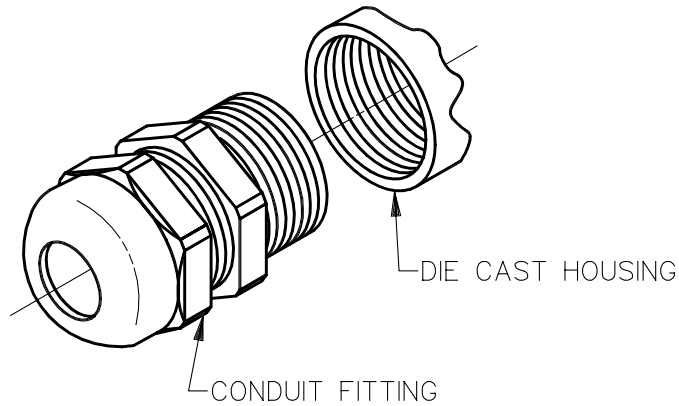
CHECK

DRAWN

T S M

29 OCT 91

DDM/CAD



THIRD ANGLE PROJECTION		
SCALE	NONE	
DO NOT SCALE PRINT		
UNLESS OTHERWISE SPECIFIED TOLERANCES ARE		
ONE PLACE	(.0)	±.030
TWO PLACE	(.00)	±.015
THREE PLACE	(.000)	±.005
ANGLES		±
WEIGHT		

ANSI Y14.5M-1982 APPLIES