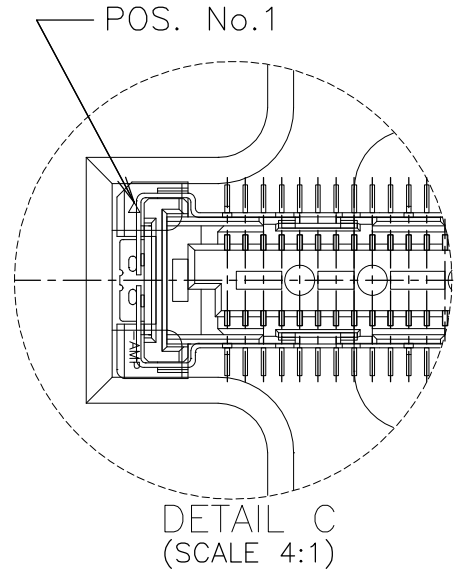
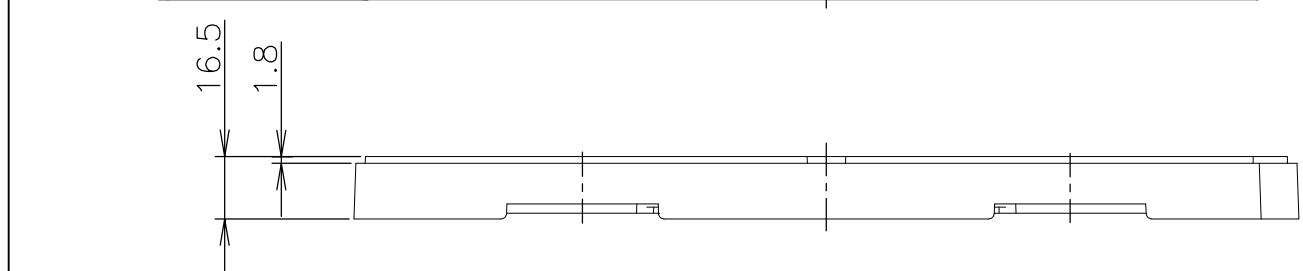
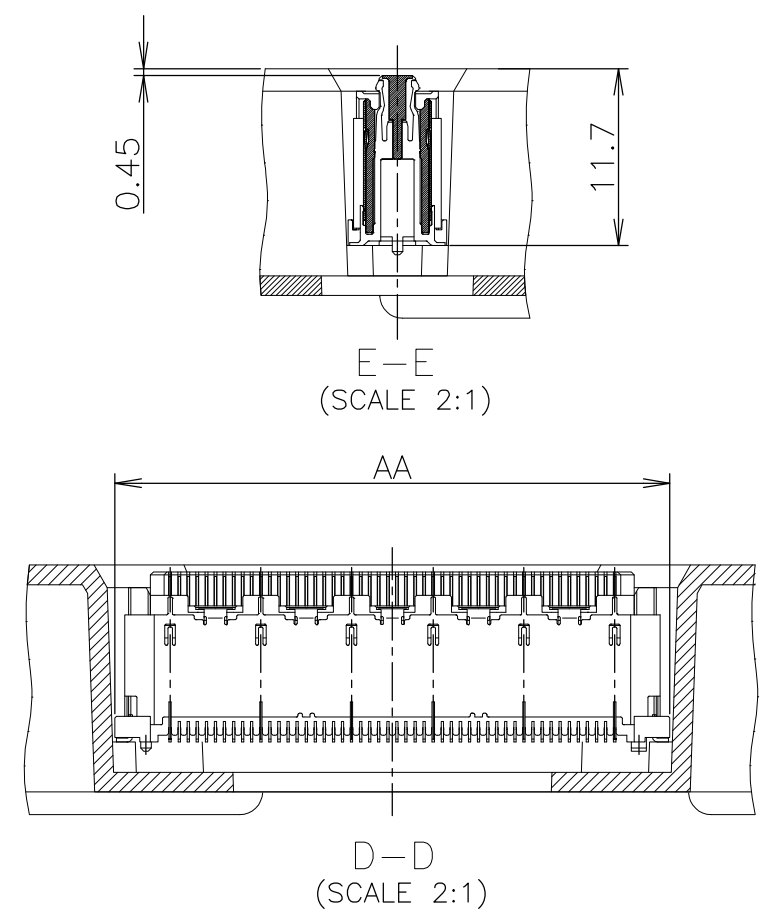
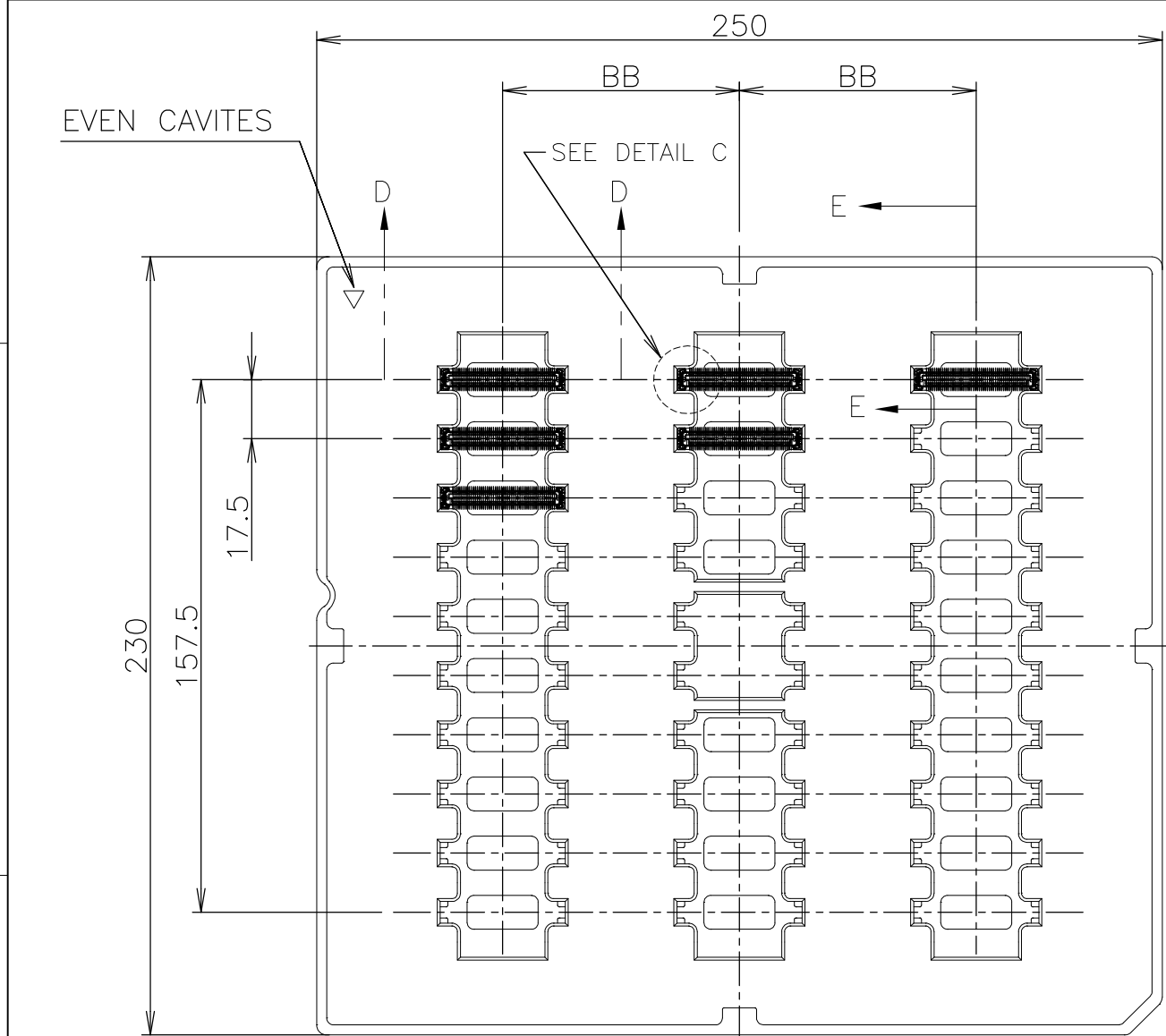


THIS DRAWING IS UNPUBLISHED. RELEASED FOR PUBLICATION NOV, 1995.
 © COPYRIGHT 1995 By - ALL RIGHTS RESERVED.

LOC	DIST	REVISIONS			DATE	DWN	APVD
		P	LTR	DESCRIPTION			
J		B	REVISED	ECR-13-007649	07MAY13	I.T	S.Y



NON SEALANT	AVAILABLE	3	30	70	48.7	140	6-5316318-0
	AVAILABLE	3	30	70	54.7	160	1-5316318-1
	AVAILABLE	↑	↑	↑	48.7	140	1-↑-0
	NOT AVAILABLE				42.7	120	↑-↑-9
	↑	↓	↓	↓	36.7	100	↑-↑-8
	↑	3	30	70	33.7	90	↑-↑-7
	↑	5	50	43	30.7	80	↑-↑-6
	↑	↑	↑	↑	27.7	70	↑-↑-5
	↑				24.7	60	↑-↑-4
	↑				21.7	50	↑-↑-3
SEALANT	TOOLING STATUS	ROW	QTY	BB	AA	POS.	PART NO.
↓	↓	↓	↓	↓	↓	↓	↓
		5	50	43	15.7	30	5316318-1

THIS DRAWING IS A CONTROLLED DOCUMENT.

DIMENSIONS: 单位: 耗 mm	TOLERANCES UNLESS OTHERWISE SPECIFIED: 一般公差
0 PLC ± -	1 PLC ± -
2 PLC ± -	3 PLC ± -
4 PLC ± -	ANGLES ± -
MATERIAL 材料	FINISH 仕上

GENERAL TOLERANCE 一般公差
10 ≥ ±0.2
30 ≥ >10: ±0.25
100 ≥ >30: ±0.3
ANGLES: ±3°

DWN	LEO ZHOU	11NOV04
CHK	STEVEN YAO	11NOV04
APVD	IKUO ENOMOTO	11NOV04
PRODUCT SPEC	製品規格	108-60047
APPLICATION SPEC	取付適用規格	114-5255
WEIGHT		

STE TE Connectivity

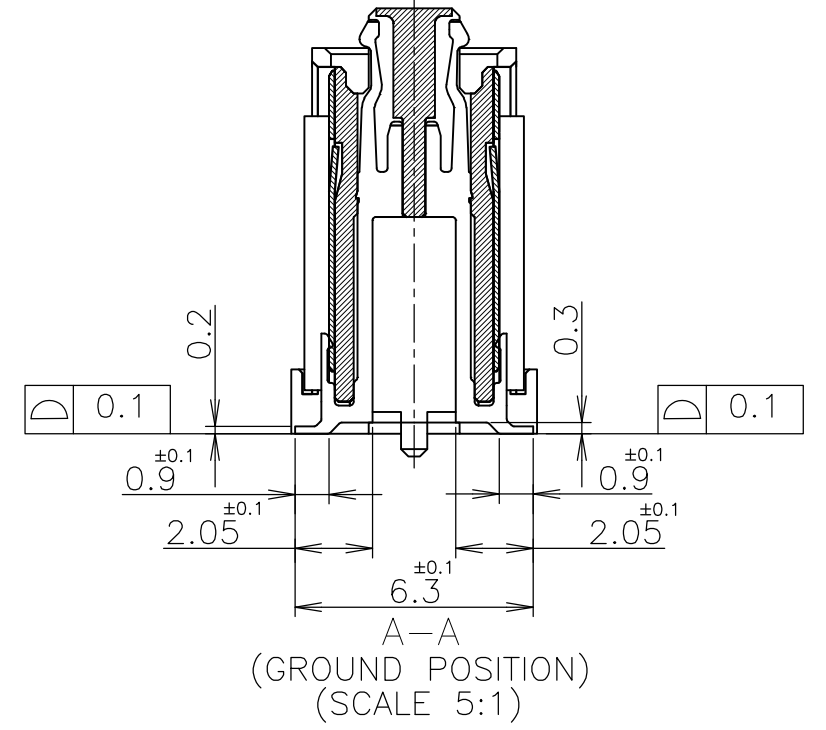
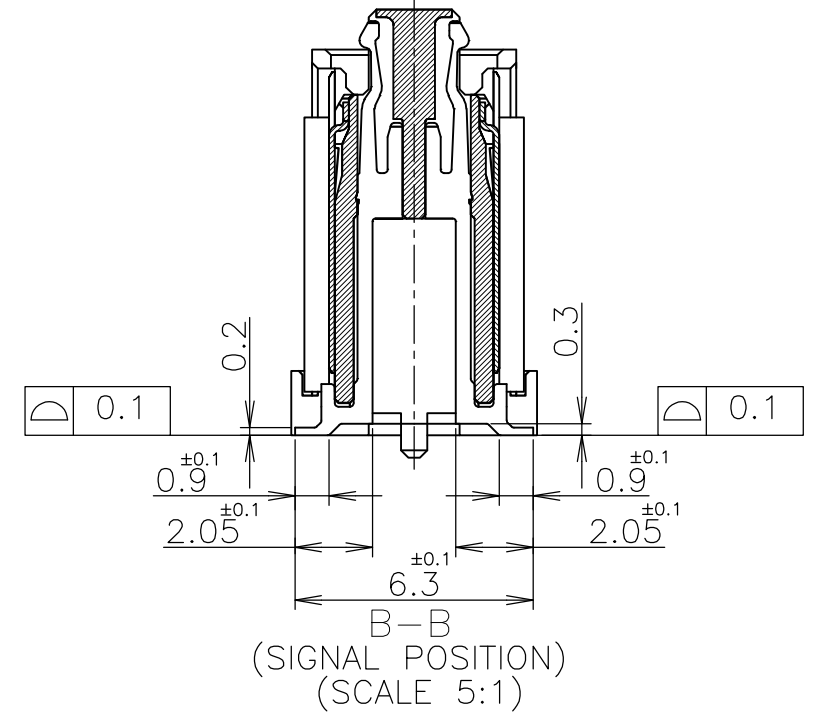
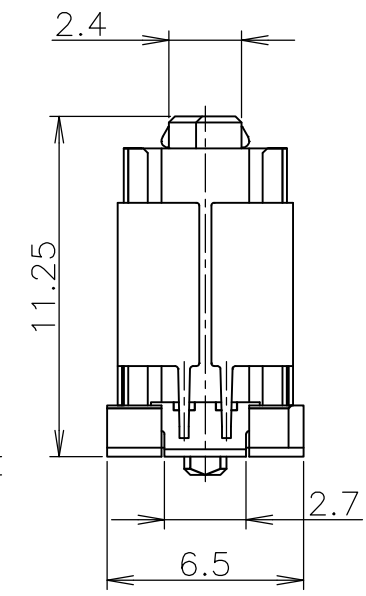
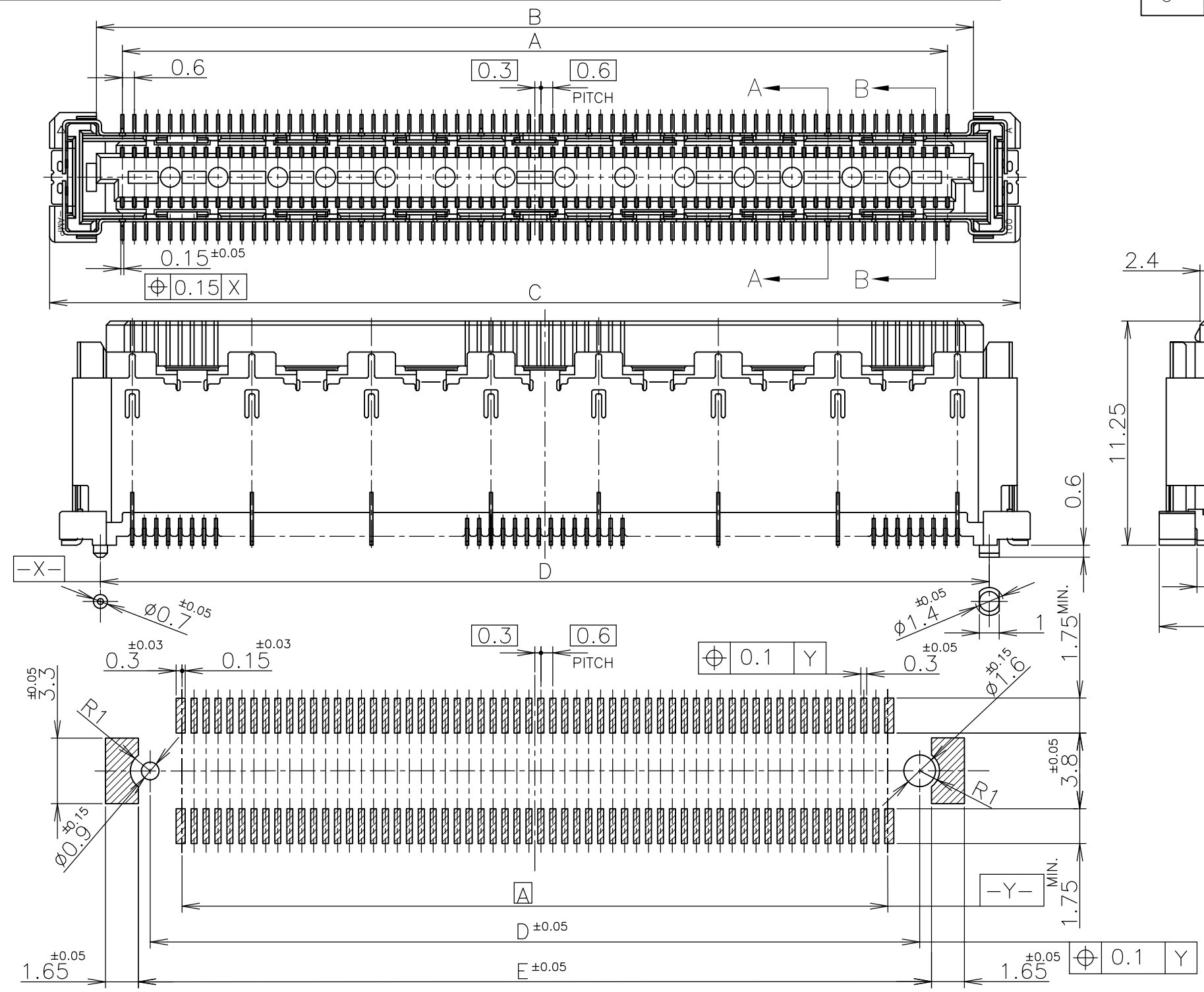
HARD TRAY ASSY
FH 0.6BTB CONNECTOR
REC 12H W/G-CONT

SIZE	CAGE CODE	DRAWING NO	RESTRICTED TO
A3	00779	C-5316318	

CUSTOMER DRAWING SCALE 1:2 SHEET 1 OF 3 REV B

THIS DRAWING IS UNPUBLISHED. RELEASED FOR PUBLICATION NOV, 1995.
 © COPYRIGHT 1995 By - ALL RIGHTS RESERVED.

LOC	DIST	REVISIONS		
		P	LTR	DESCRIPTION
J		-		SEE SHEET 1



AVAILABLE	51.8	50.6	54.7	50	47.4	160
AVAILABLE	45.8	44.6	48.7	44	41.4	140
NOT AVAILABLE	39.8	38.6	42.7	38	35.4	120
↑	33.8	32.6	36.7	32	29.4	100
	30.8	29.6	33.7	29	26.4	90
	27.8	26.6	30.7	26	23.4	80
	24.8	23.6	27.7	23	20.4	70
	21.8	20.6	24.7	20	17.4	60
	19.8	17.6	21.7	17	14.4	50
	15.8	14.6	18.7	14	11.4	40
NOT AVAILABLE	12.8	11.6	15.7	11	8.4	30
TOOLING STATUS	E	D	C	B	A	POS

GENERAL TOLERANCE
 一般公差

10 ≥ ±0.2
 30 ≥ >10: ±0.25
 100 ≥ >30: ±0.3
 ANGLES: ±3°

THIS DRAWING IS A CONTROLLED DOCUMENT.

DIMENSIONS: 单位: 毫米 mm

TOLERANCES UNLESS OTHERWISE SPECIFIED: 一般公差

0 PLC ± -
 1 PLC ± -
 2 PLC ± -
 3 PLC ± -
 4 PLC ± -
 ANGLES ± -
 FINISH 仕上

MATERIAL 材料

DWN
 CHK
 APVD
 PRODUCT SPEC 製品規格
 APPLICATION SPEC 取付適用規格
 WEIGHT

STE TE Connectivity

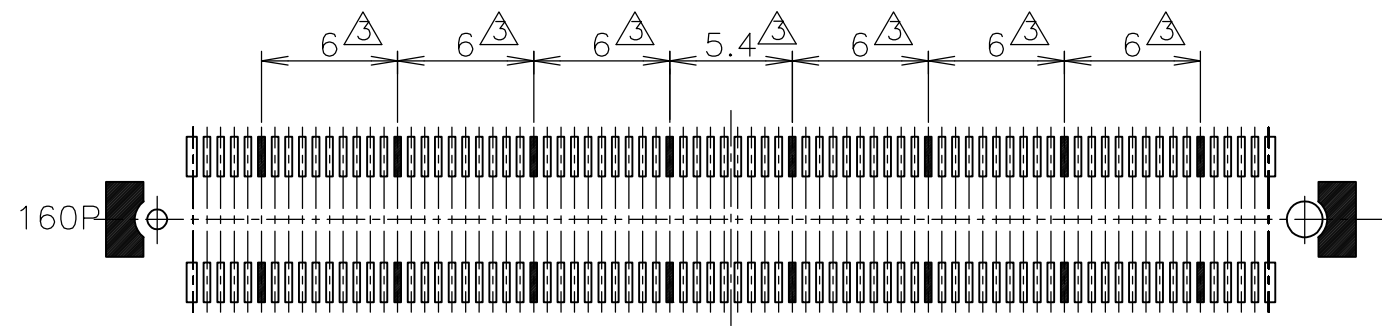
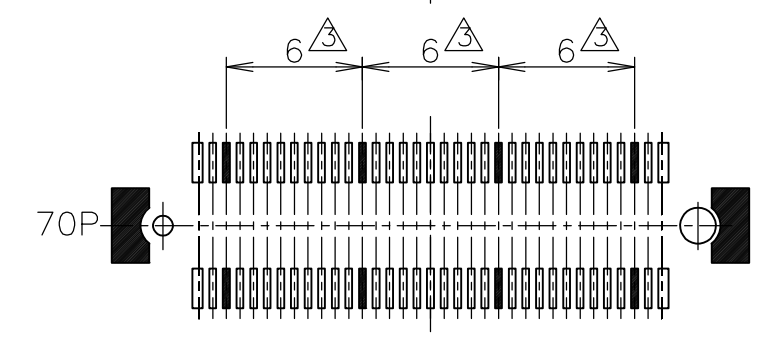
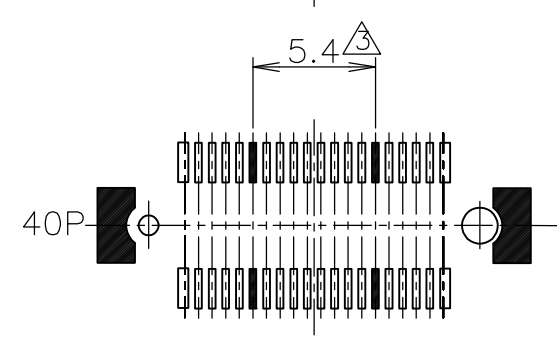
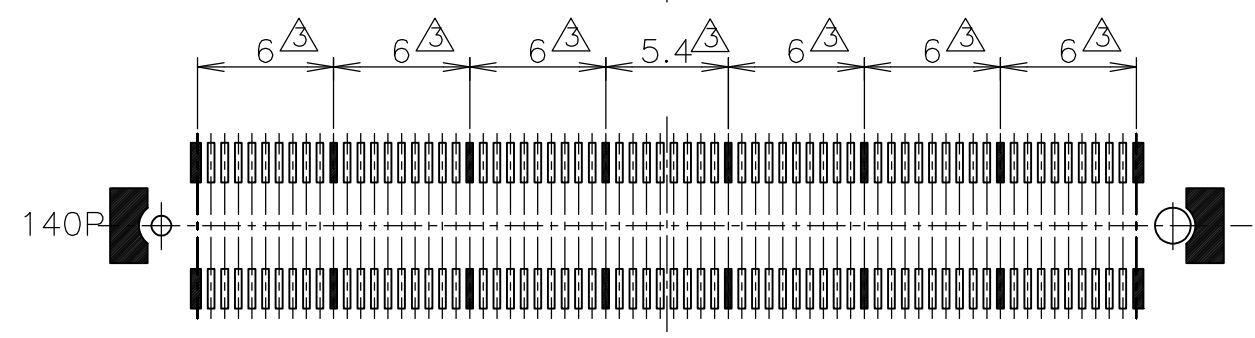
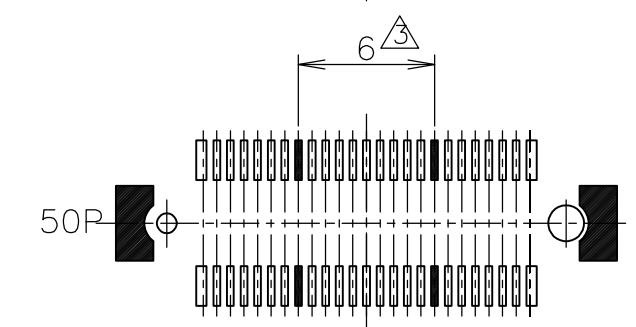
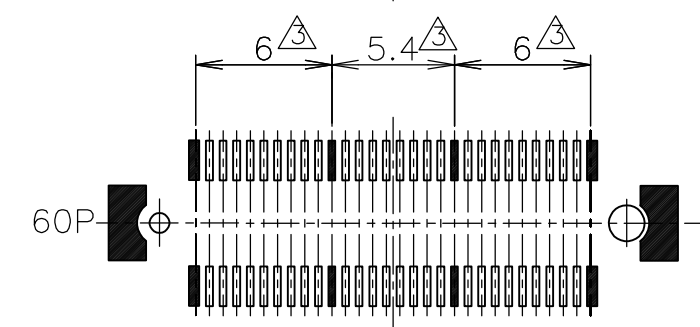
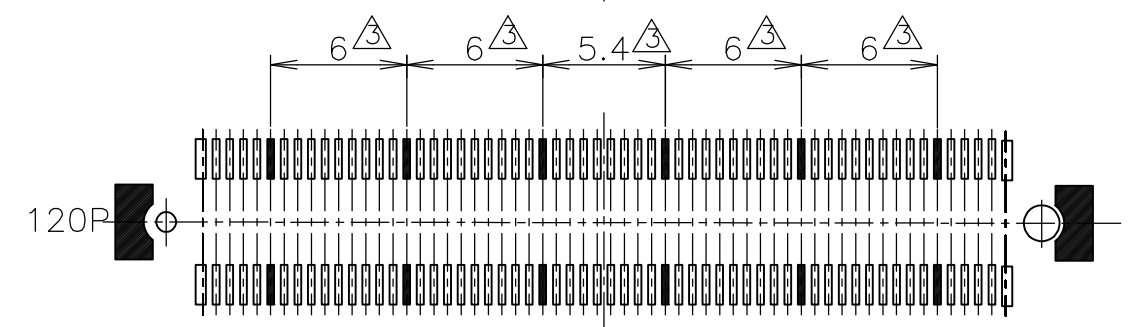
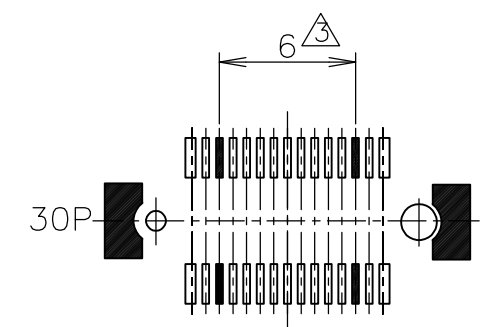
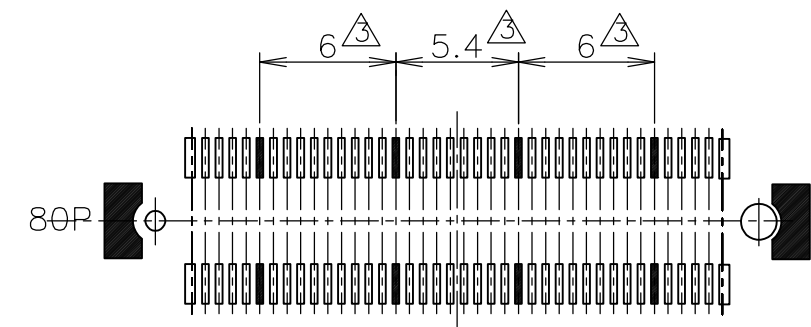
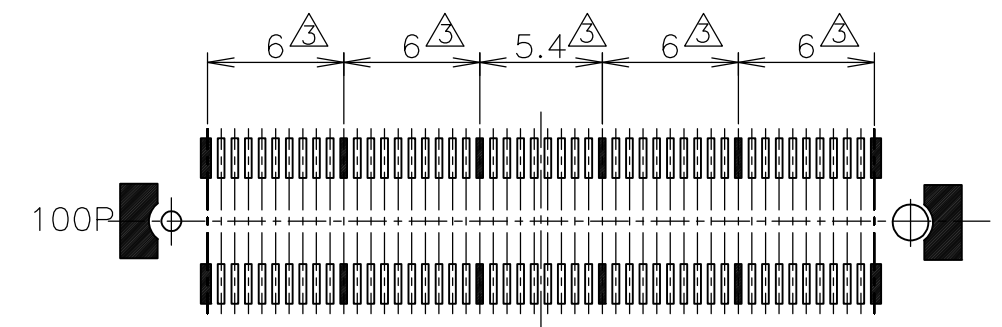
NAME 名称
 HARD TRAY ASSY
 FH 0.6BTB CONNECTOR
 REC 12H W/G-CONT

SIZE A3 CAGE CODE 00779 DRAWING NO. 番号 G-5316318 RESTRICTED TO

CUSTOMER DRAWING SCALE 尺度 4:1 SHEET 2 OF 3 REV B

THIS DRAWING IS UNPUBLISHED. RELEASED FOR PUBLICATION NOV , 1995.
 © COPYRIGHT 1995 By - ALL RIGHTS RESERVED.

LOC	DIST	REVISIONS		
J		P	LTR	DESCRIPTION
		-		SEE SHEET 1
			DATE	DWN
			-	-
			APVD	-



- ① MATERIAL ; HOUSING : HIGH TEMP THERMO PLASTIC UL94V-0
CONTACT : COPPER ALLOY
- ② FINISH ; UNDER PL Ni 0.0013mm MIN ALL OVER.
CONTACT AREA 0.0002 MIN Au PL.
SOLDERING AREA 0.001 MIN TIN PL.
- ③ THIS POSITION IS GROUND CIRCUIT.

GENERAL TOLERANCE
 一般公差
 10 ≥ : ±0.2
 30 ≥ >10 : ±0.25
 100 ≥ >30 : ±0.3
 ANGLES : ±3°

THIS DRAWING IS A CONTROLLED DOCUMENT.		DWN
DIMENSIONS: 单位: 耗 mm		CHK
TOLERANCES UNLESS OTHERWISE SPECIFIED: 一般公差		APVD
0 PLC ± -		PRODUCT SPEC 製品規格
1 PLC ± -		APPLICATION SPEC 取付適用規格
2 PLC ± -		WEIGHT
3 PLC ± -		CUSTOMER DRAWING
4 PLC ± -		
ANGLES ± -		
MATERIAL 材料	FINISH 仕上	
①	②	

STE TE Connectivity			
NAME 名称 HARD TRAY ASSY FH 0.6BTB CONNECTOR REC 12H W/G-CONT			
SIZE	CAGE CODE	DRAWING NO 番号	RESTRICTED TO
A3	00779	G-5316318	
SCALE 尺度 3:1		SHEET 3 OF 3	REV B