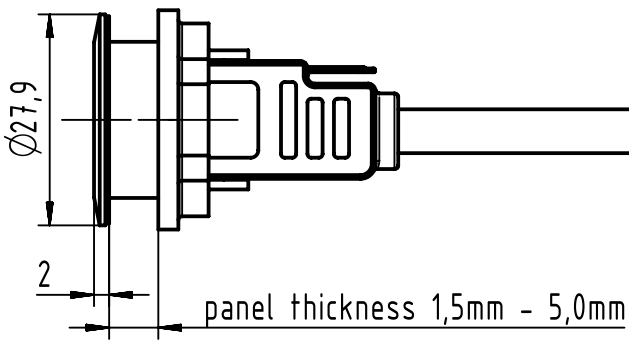
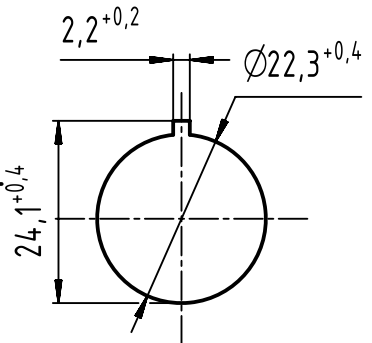
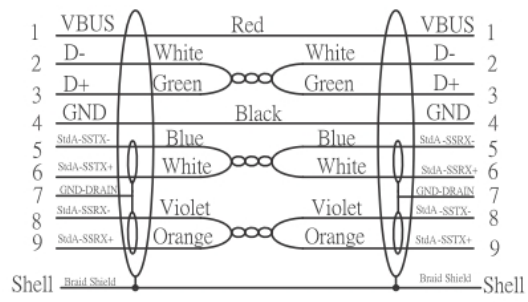


PANEL CUT DIMENSIONS



09 45 452 1974	3,0
09 45 452 1973	2,0
09 45 452 1972	1,5
09 45 452 1971	1,0
09 45 452 1970	0,5
Part number	a [m]

WIRING DIAGRAM



	All rights reserved Department EC PD - RO	All Dimensions in mm Original Size DIN A4		Scale 1:1	Free size tol. ISO 2768 mH	Ref. Sub. TB 0945452197X / 500000091377 / 2015-07-10		
		Created by TAMAS	Inspected by AVRAM	Standardisation HOFFMANN	Date 2016-11-25	State Final Release		
HARTING Electronics GmbH D-32339 Espelkamp						Title har-port USB 3.0 A-A PFT black cable		Doc-Key / ECM-Nr. 100629372/UGD/001/C 500000111080
				Type TB	Number 0945452197X		Rev. C	Page 1/1

Mouser Electronics

Authorized Distributor

Click to View Pricing, Inventory, Delivery & Lifecycle Information:

[HARTING:](#)

[09454521970](#)