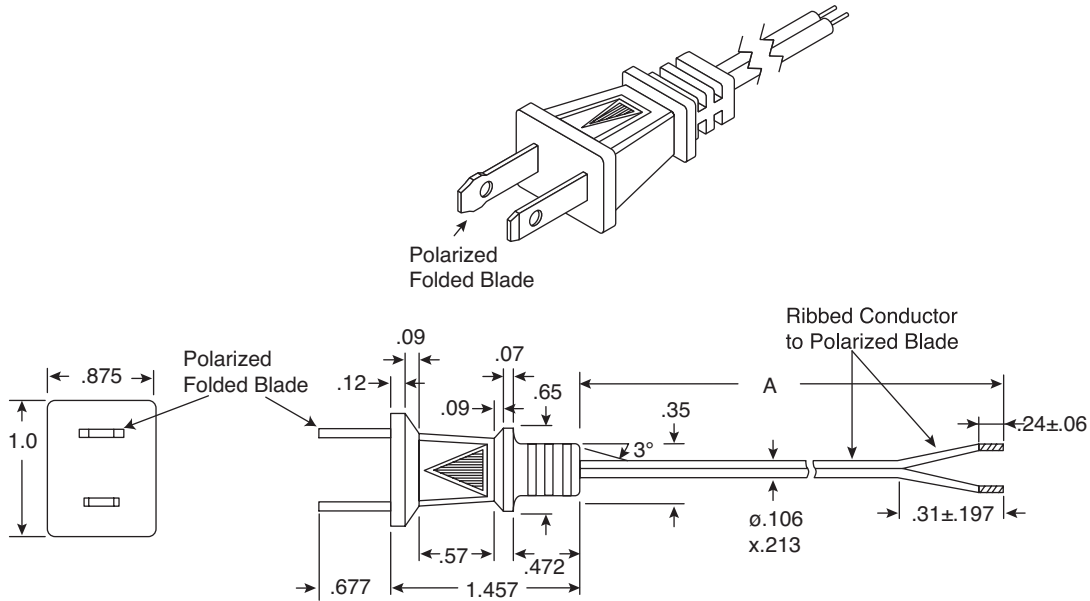


AC Power Cords

173-11112-E, 173-11113-E,
173-11115-E, 173-11116-E



AC Power Cords



DIMENSIONS: in.

| MOUSER STOCK NO. | Color | Length (A) |
|------------------|-------|------------|
| 173-11112-E | Black | 72 |
| 173-11113-E | Black | 120 |
| 173-11115-E | White | 72 |
| 173-11116-E | White | 120 |

| SPECIFICATIONS | |
|----------------|---------------------------------------|
| Type: | Polarized, SPT-1, 18 AWG, 2 Conductor |
| Stranding: | 41 x 34, Bare Copper |
| Insulation: | Coded PVC |
| Plug: | NEMA 1-15P |
| Temperature: | 60°C to 105°C |
| Rating: | 10A/125VAC, 1250 W |
| RoHS Compliant | |

Date Last Revised: 04-11-12

Available from Mouser Electronics
1-800-346-6873 / www.mouser.com

KC-301164

173-11112-E, 173-11113-E, 173-11115-E, 173-11116-E