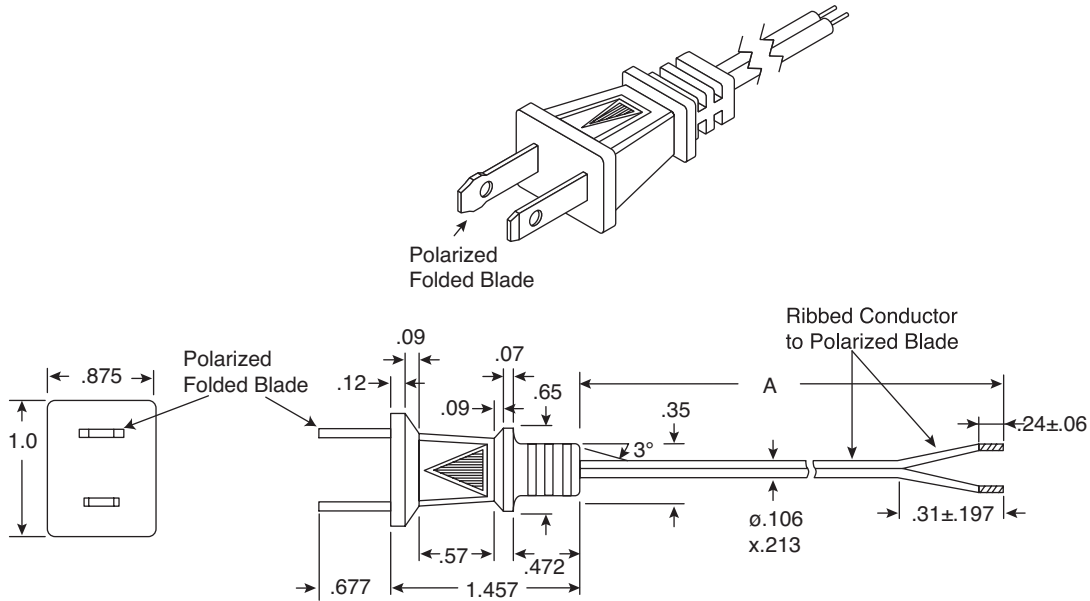


AC Power Cords

173-11112-E, 173-11113-E,
173-11115-E, 173-11116-E



AC Power Cords



DIMENSIONS: in.

MOUSER STOCK NO.	Color	Length (A)
173-11112-E	Black	72
173-11113-E	Black	120
173-11115-E	White	72
173-11116-E	White	120

SPECIFICATIONS	
Type:	Polarized, SPT-1, 18 AWG, 2 Conductor
Stranding:	41 x 34, Bare Copper
Insulation:	Coded PVC
Plug:	NEMA 1-15P
Temperature:	60°C to 105°C
Rating:	10A/125VAC, 1250 W
RoHS Compliant	

Date Last Revised: 04-11-12

Available from Mouser Electronics
1-800-346-6873 / www.mouser.com

KC-301164

173-11112-E, 173-11113-E, 173-11115-E, 173-11116-E