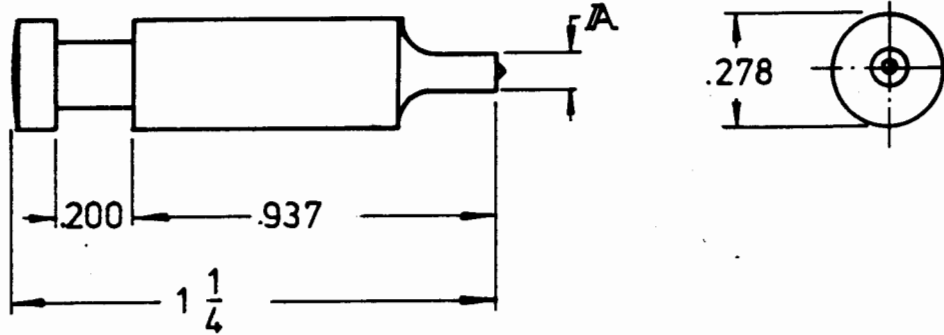


PUNCH

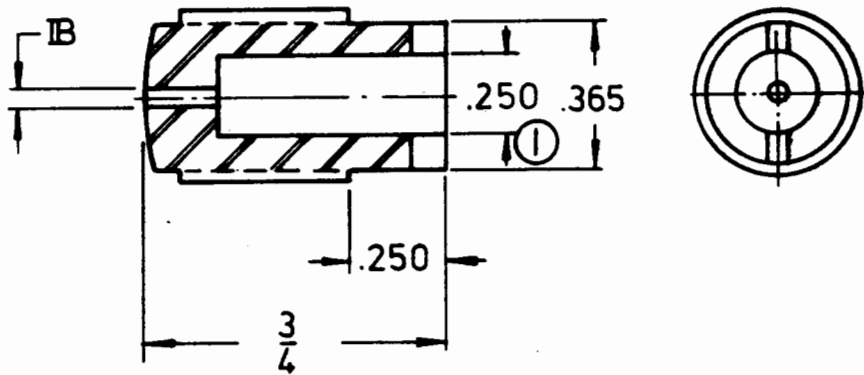


NO.

CODE

M

DIE



P/No.	A	IB
1337	218	223

CONFIDENTIAL

KEYSTONE ELECTRONICS CORP.

ASTORIA, N.Y. 11108-2017

PART NAME DIE SET		
MATERIAL STEEL		
FINISH —	DRAWN BY L.N.	DATE 5.19.82
	APPROVED A.A.	SCALE —
TOLERANCES FRACTIONAL ± .015 DECIMAL ± .005 ANGULAR ± 1/4° UNLESS OTHERWISE NOTED		DWG. NO. 1337

11,899 (1) WAS.218 ECN 99-005

A

ISSUE

REVISION

DATE