

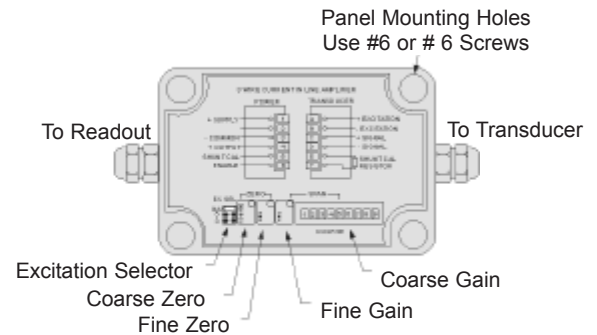
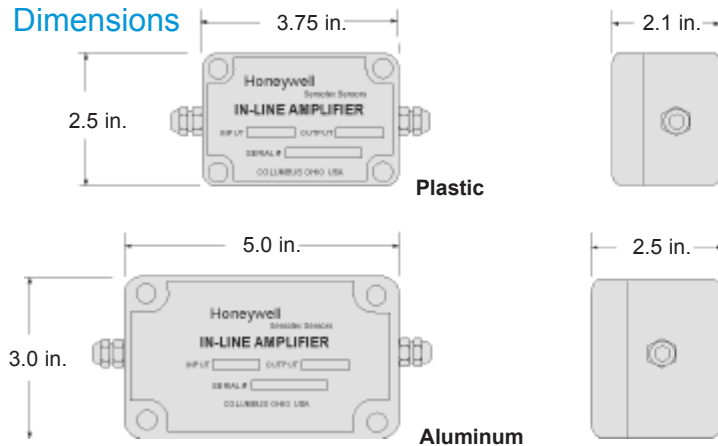
Model UV-10 Bridge Based Sensor In-Line Amplifier

Order Code BE127

- Strain Gage Sensor Amplifier
- 18-32 VDC Supply Voltage
- NEMA 4 Housing
- Selectable Excitation Voltages
- +/-10 VDC 3 Wire Output



Dimensions



General

Number of Channels.....1
 Case Material.....Plastic or Painted Aluminum
 Mounting.....Use #6 or #8 Screws

Environmental

Temperature, Operating.....5° to 122° F
 Sealing.....IP-66 or NEMA-4

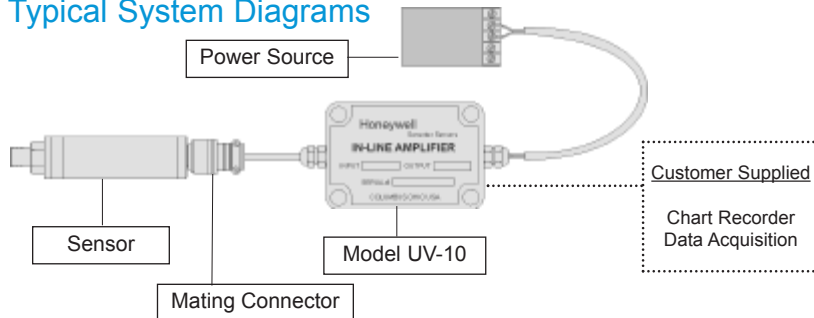
Transducer Interface

Transducer Type.....Bridge based sensor
 Transducer Excitation.....3, 5 or 10 VDC @ 50 mA

Amplifier Characteristics

Supply Voltage.....18-32 VDC
 Current Draw.....50 mA
 Frequency Response (-3db).....DC to 5,000 Hz
 Zero Adjustment Range
 Coarse.....+/- 25%
 Fine.....+/- 10%
 Spand Adjustment Range.....1 - 20 mV/V
 Linearity.....0.02% of Full Scale
 Shunt Calibration.....Solid state relay on board
 Output.....+/- 10VDC
 Output Current.....2.5 mA
 Signal to Noise Ratio.....65 db
 DC Power Supply Rejection Ration.....> 110 db

Typical System Diagrams



Options

2 Pole Active Filter	Built to Order	Built from Scratch
Filter Setting	1 Hz	50 Hz
	3 Hz	100 Hz
	5 Hz	300 Hz
	10 Hz	500 Hz
	20 Hz	1,000 Hz
	30 Hz	
	User Specified	

-Not RoHS Compliant

How to Order

The order code consists of the product model and the available filter setting.

Sample Code **BE127** **30 Hz**
 Model Code Filter Setting