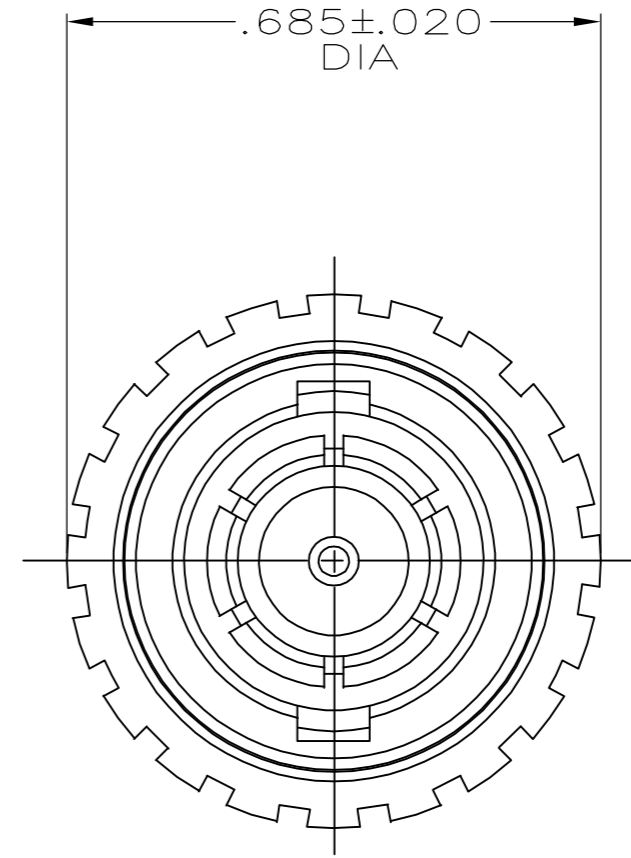
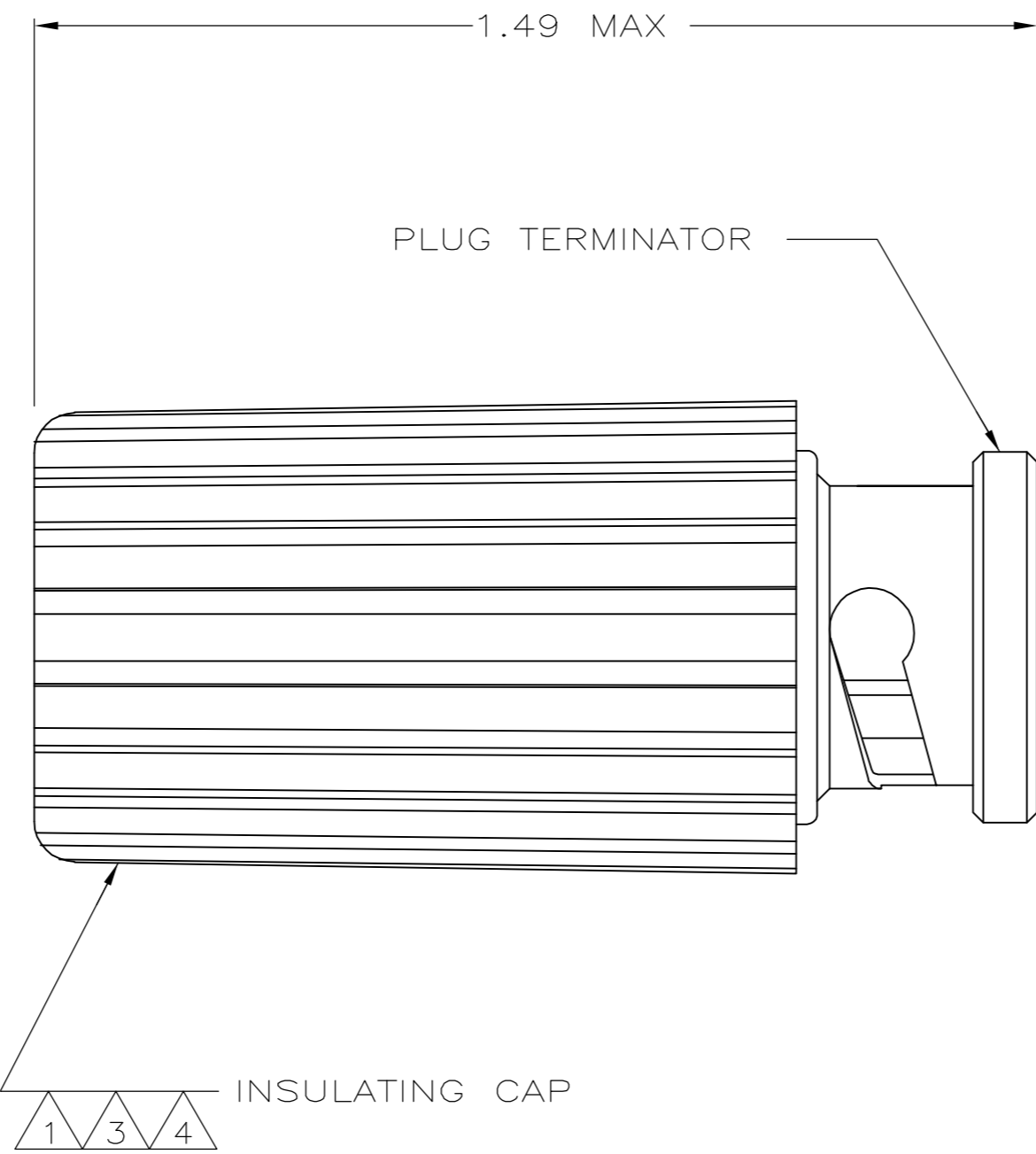
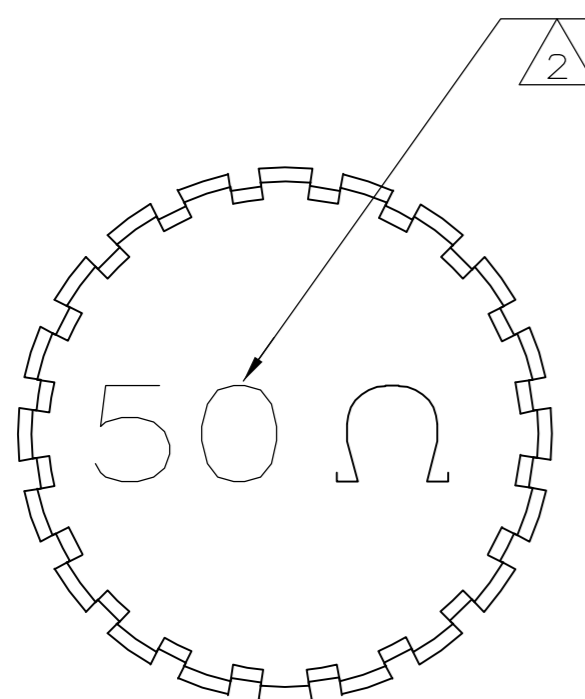


THIS DRAWING IS UNPUBLISHED. RELEASED FOR PUBLICATION
 © COPYRIGHT BY TYCO ELECTRONICS CORPORATION. ALL RIGHTS RESERVED.

LOC	DIST	REVISIONS			
P	LTR	DESCRIPTION	DATE	DWN	APVD
D	AJ	16			
	D	REV PER EC 0514-0453-04	17OCT05	CJL	GM



- ① POLYPHENYLENE OXIDE
 - ② RESISTOR VALUE IS MOLDED ON INSULATING CAP
 - ③ COLOR, BLACK
 - ④ COLOR, GRAY
 - ⑤ SAME AS 413364-1 EXCEPT PACKAGED 5 PER BOX
6. RESISTOR SPECIFICATIONS:
- A. 1 WATT
 - B. 1% TOLERANCE
 - C. 50 OHM

⑤	③	413364-3
④		413364-2
③		413364-1
③ OBSOLETE		PART NUMBER

THIS DRAWING IS A CONTROLLED DOCUMENT.		DWN	J.L.GROFT	8-2-94	Tyco Electronics Corporation Harrisburg, PA 17105-3608			
DIMENSIONS: INCHES		CHK	R.J.KOBLER	8-2-94				
TOLERANCES UNLESS OTHERWISE SPECIFIED:		APVD	J.L.GROFT	8-3-94	NAME TERMINATOR, PLUG, INSULATED, 50 OHM, COMMERCIAL BNC			
0 PLC ± -		PRODUCT SPEC						
1 PLC ± -		APPLICATION SPEC			SIZE	CAGE CODE	DRAWING NO	RESTRICTED TO
2 PLC ± -					A2	00779	C=413364	-
3 PLC ± -		WEIGHT			SCALE		SHEET	REV
4 PLC ± -					4:1		1 of 1	D
ANGLES ± -		CUSTOMER DRAWING						
FINISH								