

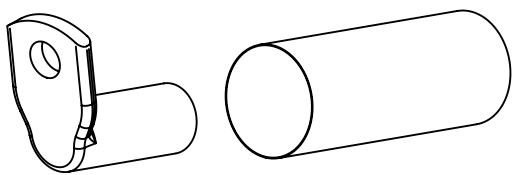
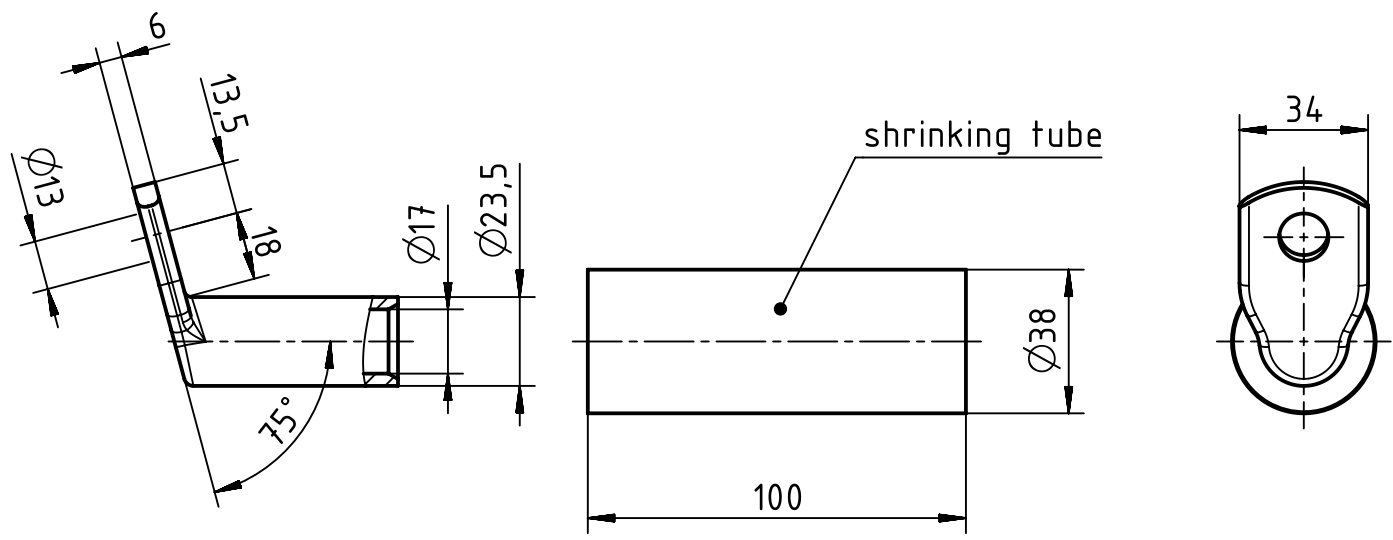
1 2 3 4 5 6

A

B

C

D



	All rights reserved Department EL PD - DE	Created by WULF	Inspected by SCHLEGEL	Standardisation TIEMANNA	Date 2017-02-02	State Final Release	
	HARTING Electric GmbH & Co. KG D-32339 Espelkamp	Title cable lug 150qmm angled 75° for HC650				Doc-Key / ECM-Nr. 100664727/UGD/000/D 500000114829	
		Type TB	Number 09 11 000 8118			Rev. D	Page 1/1

# Mouser Electronics

Authorized Distributor

Click to View Pricing, Inventory, Delivery & Lifecycle Information:

[HARTING:](#)

[09110008118](#)