



FFSD-10-D-02.00-01-N

FFSD SERIES

(1.27 mm) .050"

# TIGER EYE™ FLAT IDC WIRE CABLES

Mates with:  
FTS, FTSH, EHF,  
SHF, ESHF

**SPECIFICATIONS**

For complete specifications see [www.samtec.com?FFSD](http://www.samtec.com?FFSD)

**Insulator Material:**

PBT

**Contact:**

BeCu

**Plating:**

10 μ" (0.25 μm) Au over 50 μ" (1.27 μm) Ni on contact area; Sn over 50 μ" (1.27 μm) Ni on balance

**Wire:**

30 AWG

**Current Rating (FFSD/FTSH):**

2.3 A per pin  
(2 pins powered)

**Operating Temp Range:**

-40 °C to +105 °C

**Lead Size Accepted:**

(0.41 mm) .016" SQ

**Insertion Depth:**

(2.64 mm) .104" to

(3.17 mm) .125"

**RoHS Compliant:**

Yes

**RECOGNITIONS**

For complete scope of recognitions see [www.samtec.com/quality](http://www.samtec.com/quality)

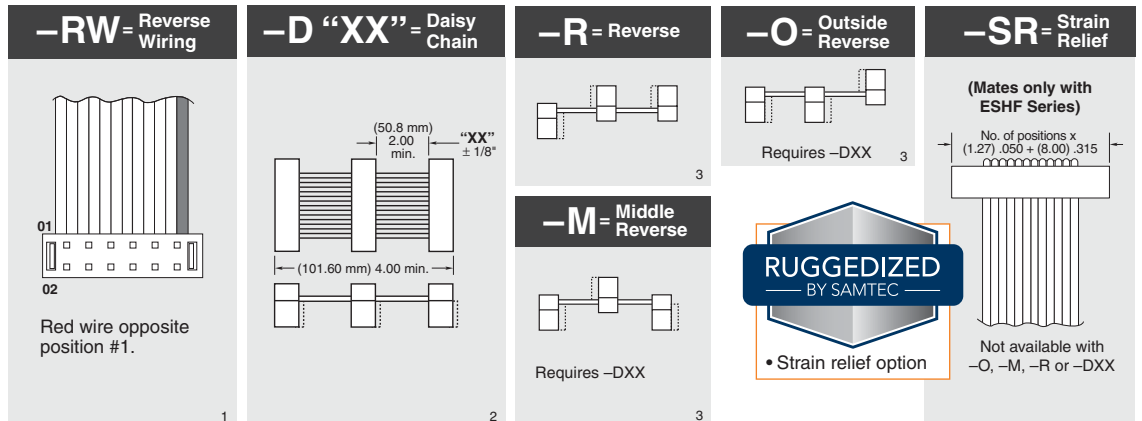


FILE NO. E111594



**ALSO AVAILABLE**  
(MOQ Required)

- Other sizes



- Strain relief option

**Note:** This Series is non-standard, non-returnable.

Due to technical progress, all designs, specifications and components are subject to change without notice.

[WWW.SAMTEC.COM](http://WWW.SAMTEC.COM)

All parts within this catalog are built to Samtec's specifications. Customer specific requirements must be approved by Samtec and identified in a Samtec customer-specific drawing to apply.