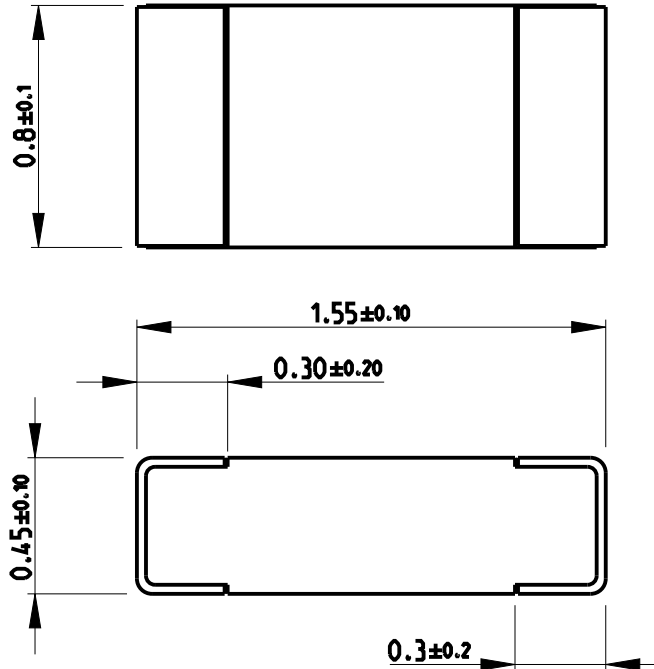


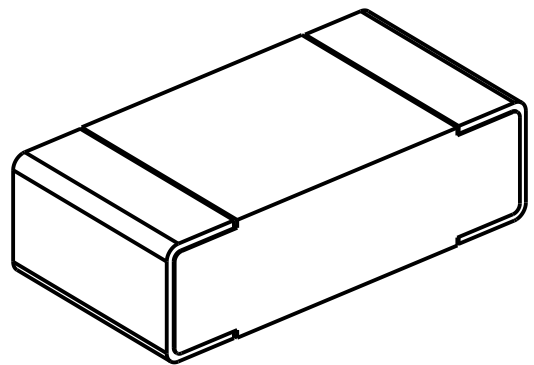
REVISIONS

P	LTR	DESCRIPTION	DATE	DWN	APVD
	BA1	ECR-14-009193	19JUN2014	KR	TN

FOR FURTHER INFORMATION SEE DATA SHEET FOR  
CPF SERIES-THIN FILM PRECISION CHIP RESISTORS



RoHS Compliant




2008

RELEASED FOR PUBLICATION

ALL RIGHTS RESERVED.

BY -

© COPYRIGHT 2008

DIMENSIONS: mm		DWN SUBHASH.M 27-Sep-08	MATERIAL -	FINISH -			
TOLERANCES UNLESS OTHERWISE SPECIFIED:		CHK PRAKASH.S 27-Sep-08	 <b>TE Connectivity</b>				
0 PLC ±0.2 1 PLC ±0.1 2 PLC ± 3 PLC ± 4 PLC ± ANGLES 5°		APVD STEPHEN.P 27-Sep-08					
		PRODUCT SPEC -	NAME THIN FILM PRECISION CHIP RESISTORS SERIES CPF 0603				
		APPLICATION SPEC -	SIZE A4	CAGE CODE 00779	DRAWING NO C-1879222	RESTRICTED TO -	
		WEIGHT -	Customer Drawing		SCALE 40:1	SHEET 1 OF 1	REV BA1