

4

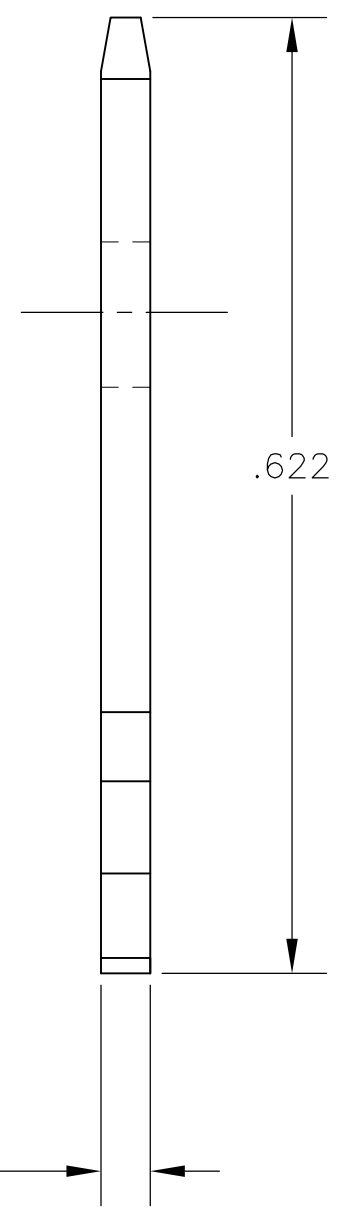
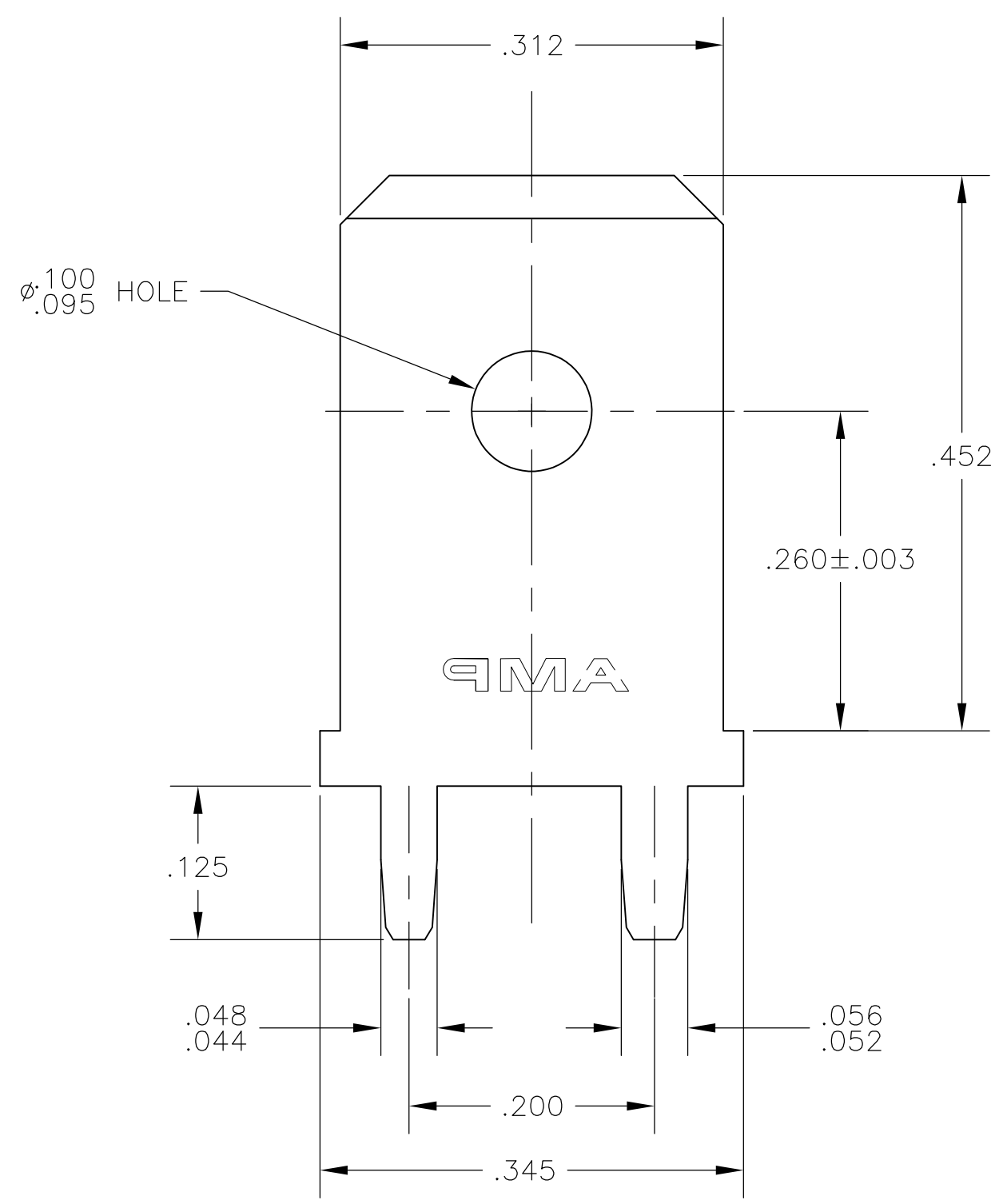
3

2

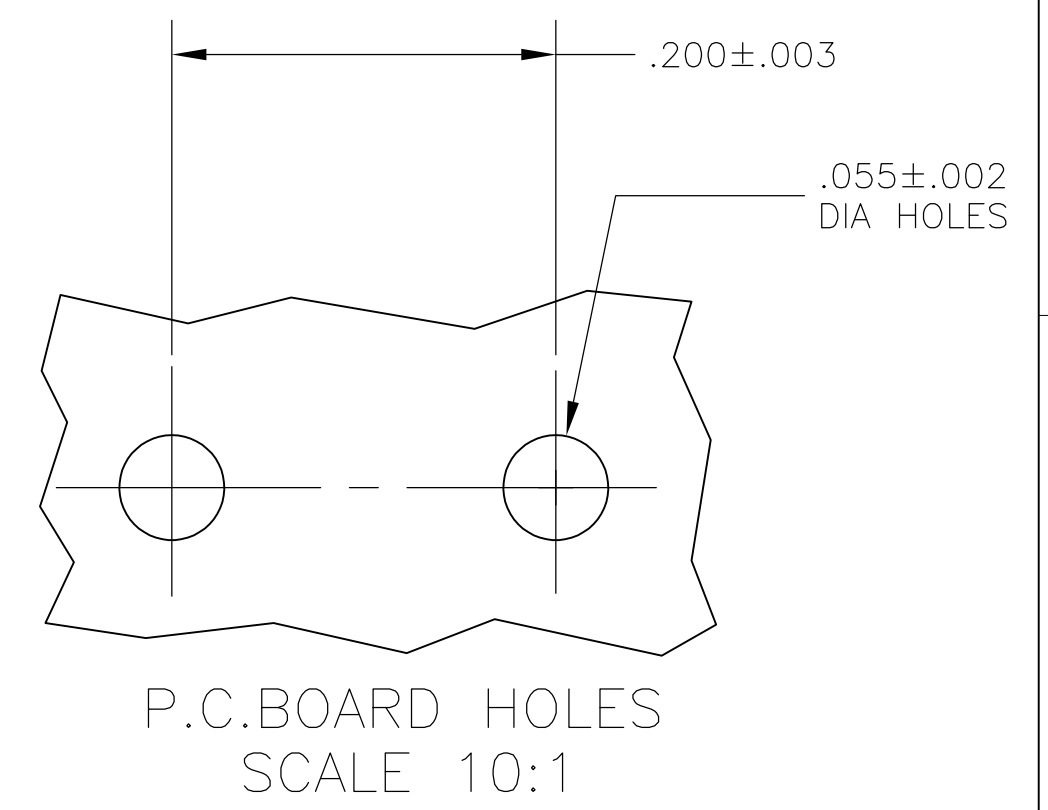
1

THIS DRAWING IS UNPUBLISHED. RELEASED FOR PUBLICATION  
 © COPYRIGHT - By - ALL RIGHTS RESERVED.

LOC	DIST	REVISIONS			
P	LTR	DESCRIPTION	DATE	DWN	APVD
AF	50	E	REVISED PER ECR-13-011489	12DEC2013	KH PD



1 SUPPLIED IN LOOSE PIECE  
 2 .000150 MIN TIN OVER  
 .000100 MIN THK COPPER.



1217956-1  
 PART NUMBER

THIS DRAWING IS A CONTROLLED DOCUMENT.		DWN	JR RUTH	19MAY03	 TE Connectivity	NAME		TAB, FASTON, PC BOARD, .312 SERIES			
DIMENSIONS: INCHES		CHK	P DESANTIS	19MAY03		PRODUCT SPEC		SIZE	CAGE CODE	DRAWING NO	
		APVD	P DESANTIS	19MAY03		APPLICATION SPEC		—	—	—	
TOLERANCES UNLESS OTHERWISE SPECIFIED: 0 PLC ± - 1 PLC ± - 2 PLC ± .010 3 PLC ± - 4 PLC ± - ANGLES ± -		FINISH	 TIN OVER COPPER			WEIGHT		—	—	—	
MATERIAL		BRASS		CUSTOMER DRAWING		SCALE	8:1	SHEET	1 OF 1	REV	E