

- ▶ Low Profile
- ▶ 2 x 1.2 mm Footprint
- ▶ Extended Temp. Range
- ▶ 0.388 mm Height
- ▶ RoHS 2 Compliant



ECX-12L

SMD TUNING FORK CRYSTAL

The ultra-miniature ECX-12L is a very compact SMD Tuning Fork Crystal. The 2.0 x 1.2 x 0.38 mm ceramic package is ideal for today's SMD manufacturing environment.

OPERATING CONDITIONS / ELECTRICAL CHARACTERISTICS

PARAMETERS	CONDITIONS	ECX-12L			UNITS
		MIN	TYP	MAX	
Frequency	Fo		32.768		KHz
Frequency Tolerance	@ +25°C			± 20	ppm
Load Capacitance	Specify in P/N		12.5		pF
Drive Level	DL			0.5	μW
Equivalent Series Resistance	R1			100K	Ω
Motional Capacitance			7.0		fF
Turnover Temperature		+20	+25	+30	°C
Temperature Coefficient		-0.02	-0.03	-0.04	ppm/°C ²
Shunt Capacitance	Co		1.3		pF
First Year Aging	+25°C ±3°C			± 3	ppm
Operating Temperature	Topr	-40		+85	°C
Storage Temperature	Tstg	-55		+125	°C

TOP, BOTTOM, SIDE VIEWS & LAND PATTERN

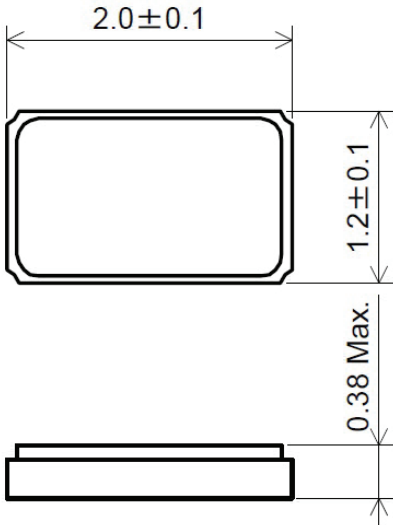


Figure 1) Top, Side and Bottom View

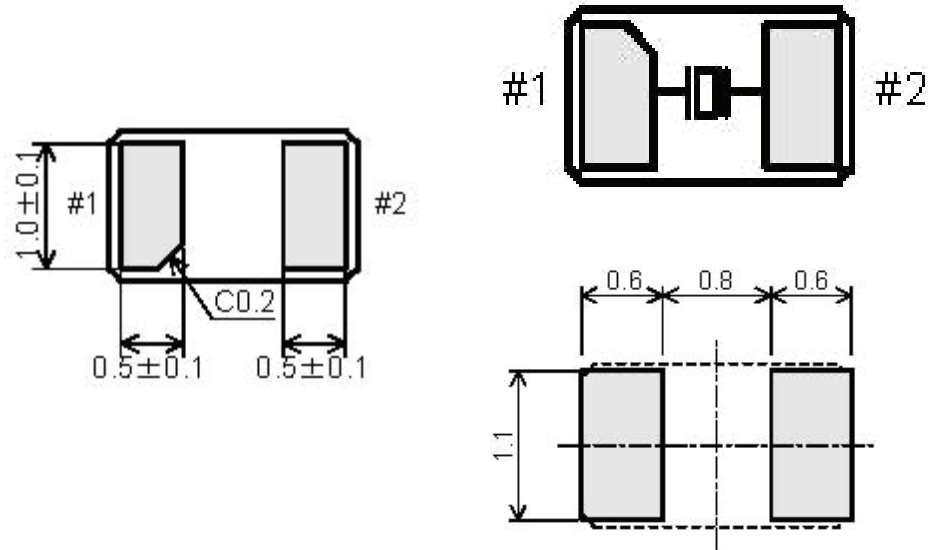


Figure 2) Crystal connection and Suggested Land

PART NUMBERING GUIDE: Example ECS-.327-12.5-12L-TR

