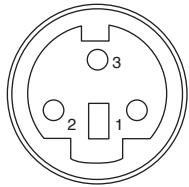


Mini-DIN In Line Jacks

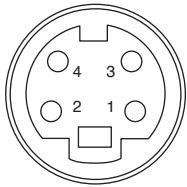
161-2603, 161-2604, 161-2605, 161-2606, 161-2608



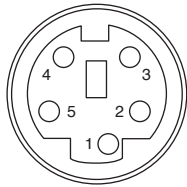
Mini-DIN In Line Jacks



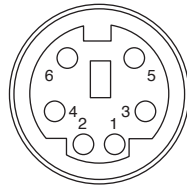
161-2603



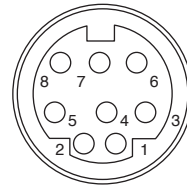
161-2604



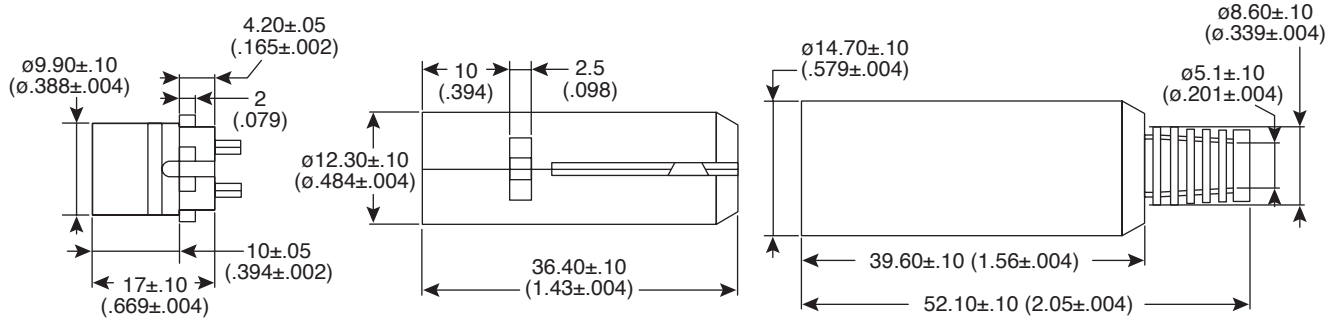
161-2605



161-2606



161-2608



Dimensions: mm (In.)

MATERIALS

Boot:	PVC
Middle Hood:	ABS
Metal Part:	Nickel Plated Copper
Insulator:	PC
Pin Contact:	Silver Plated Copper

Date Last Revised: 10-19-05

Available from Mouser Electronics
1-800-346-6873
www.mouser.com

KC- 300794

161-2603, 161-2604, 161-2605, 161-2606, 161-2608