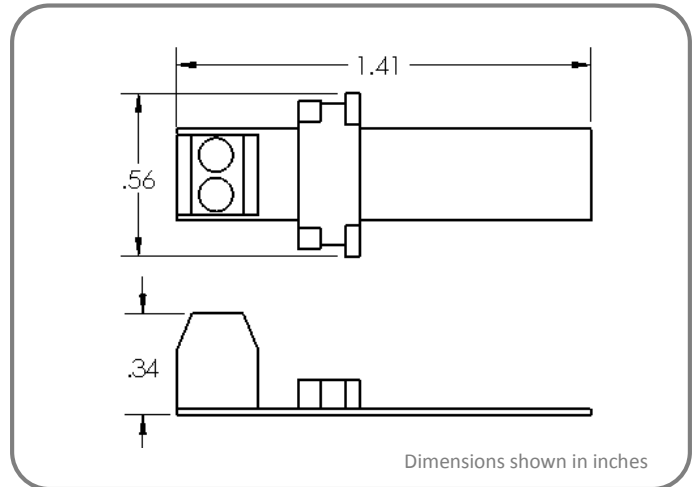
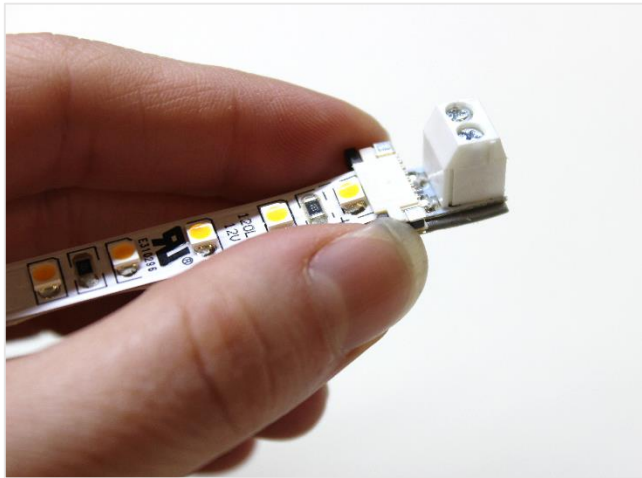


inspired LED **Mini Tiger Cub™ Screw Terminal**

Inspired LED's patented solderless **Tiger Paw Connectors** are the perfect solution for in-field LED customization and system design. These innovative accessories pair easily with Inspired LED flex strips to allow for a quick, convenient installation, making the perfect low-voltage lighting system for a snap!

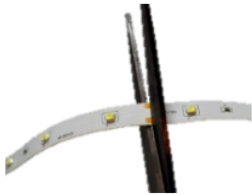


Product Specifications:

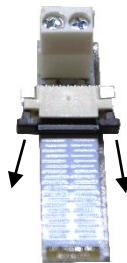
- Solderless termination of 8mm LED flex strips to 18-22 AWG wire
- Max Load- 5 AMPs
- Industry proven locking system meets shock and vibration requirements for IEC 60068-2-27
- U.S. Patent No. 8,714,772

Instructions:

1 Use scissors to cut LED strip to length along the copper solder pads, located over 3 LEDs



2 Take hold of black sliding latch and pull outward to open



3 Peel back adhesive lining on LED strip



4 Taking note of (+) polarity of LEDs, insert flex strip into gap above the black sliding latch and beige top piece



5 Make sure LED strip is centered and fully inserted before sliding black latch firmly closed and pressing on adhesive



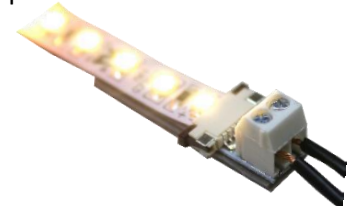
6 Use small screw driver to loosen screws on the top of connector piece



7 Strip cable back ¼" to expose (+) and (-) wire, (if using Inspired LED cable, white writing indicates positive polarity)



8 Insert wire (matching polarity) tighten screws and connect to class 2 power source to verify connections, then install LED flex strips as needed



Troubleshooting: If LEDs are flickering, double check connection to be sure flex is fully inserted and secured, if no lights turn on check to be sure polarities are properly matched