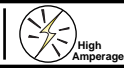
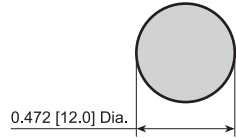


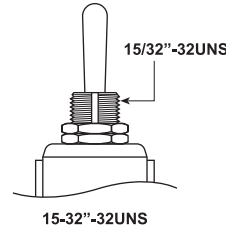
ST3 Series



Panel Cutout



Bushing Options



FEATURES:

- Heavy Duty Rating with UL Approvals
- Tab, Screw, and Solder Terminal Options
- Rubber Boot for Water and Dust Protection

SPECIFICATIONS:

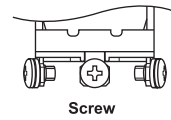
RATING: 24A 125VAC [cULus]
15A 277VAC [cULus]
2HP 125-250VAC [cULus]

TEMPERATURE: -20°C to 85°C
ELECTRICAL LIFE: 6,000 Cycles
CONTACT RESISTANCE: 50mΩ Max.
INSULATION RESISTANCE: 800MΩ Min. at 500VDC
DIELECTRIC STRENGTH: 1,500VAC for 1 Minute

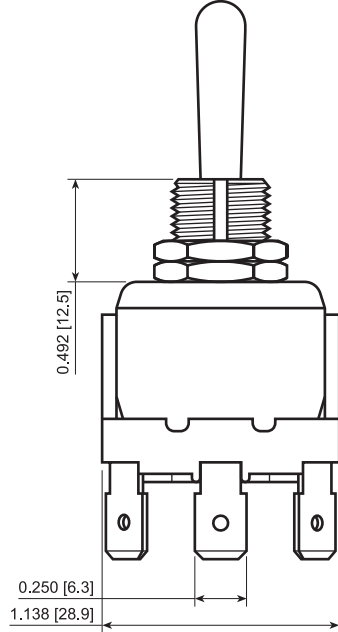
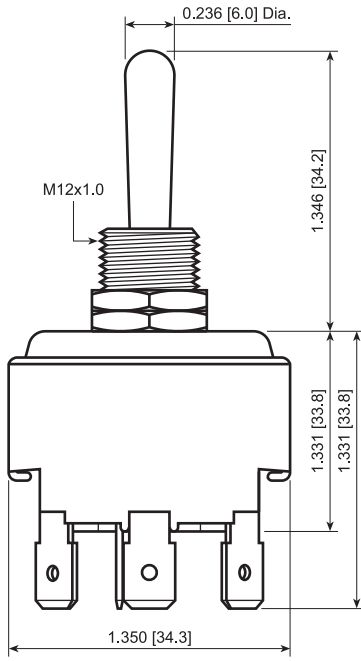
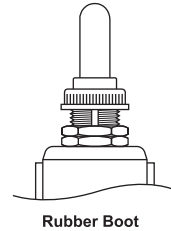
MATERIALS:

Body: Phenolic, UL94 V-0
ACTUATOR: Nickel Plated Brass
BUSHING: Nickel Plated Brass
HOUSING: Stainless Steel
CONTACTS: Silver Alloy
TERMINALS: Silver Plated Brass

Terminal Options



Water Protection Options



Series	Terminal	Function	Rating	Actuator Type	Bushing Type
ST3 - 3 Pole	1 - 4.8mm Tabs 2 - Solder 4 - 6.3mm Tabs 6 - Screw	3 Pole: R - Off-On S - On-On T - On-Off-On	E - 24A 125VAC	0 - Standard Bat	0 - M12x1.0 2 - 15/32"-32UNS

Variable Length
Wxx - Wire Leads
(xx in Inches)

Note:
Terminal bridging options available.



ST34TE00

ST34RE00



Accessories Series	Type	Options
ACC	Rubber Boot: B03 - For Standard Bat	Colors for Boot: 2 - Black
	Marking Plates: M01 - ON/OFF	Colors for Marking Plates: 3 - Black, Red, and Silver
	Hardware: N02 - Knurled Nut	Threading: 3 - 15/32"-32UNS 5 - M12x1.0

EXAMPLE PART NUMBERS:

ST34RE00 3P Off-On
Standard Actuator/Bushing, 6.3mm tab

